



Cassette awning

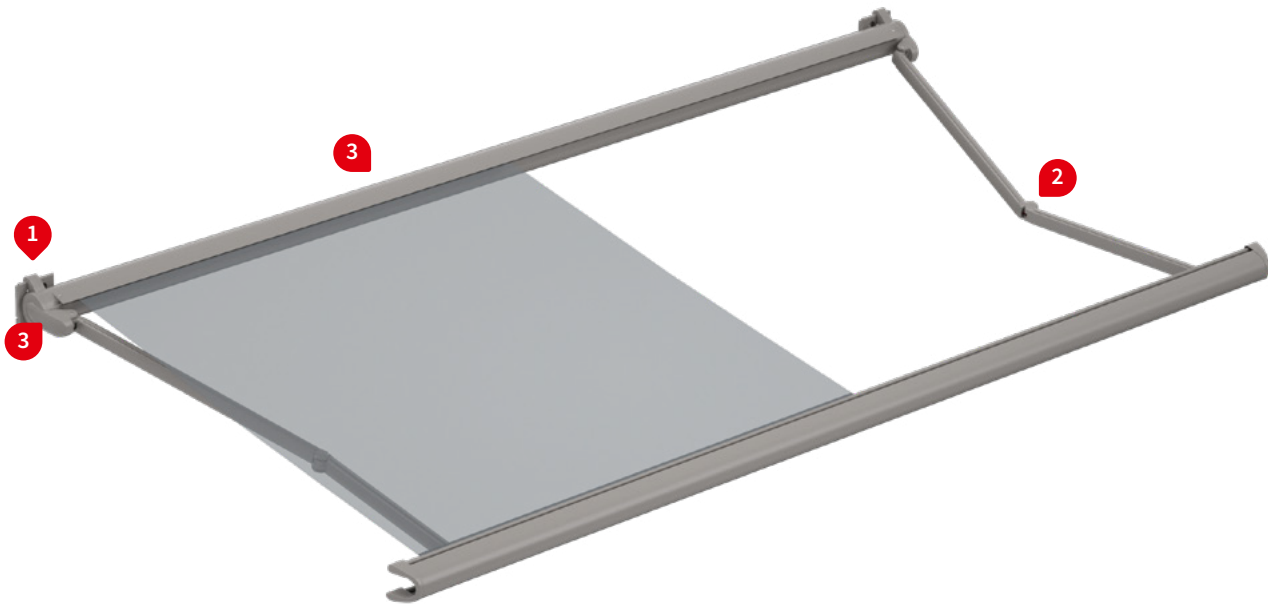
## **markilux 990**

The most compact markilux with folding arms – svelte, attractive and functional.

# Product characteristics

Wind resistance class 2  
Beaufort 5 → 7.5–10.4 m/s → 28–37 km/h → 17–23 mph

01  
02  
03  
04  
05  
06  
07  
08



## 09

10  
11  
12  
13  
14  
15  
16  
17

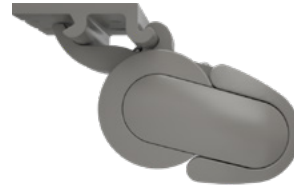
1 face fixture



1 face fixture, maximum pitch of 35°



1 top fixture



1 top fixture, view from the rear



2 twin steel-link chain, corrosion protected



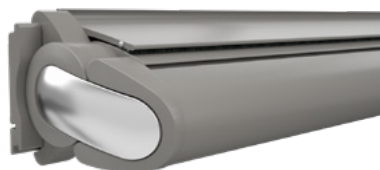
2 bionic tendon made of high-tech fibres for optimum power transference 1)



1) during extension



3 wall sealing profile 1), cassette end cap in polished chrome



1) optional accessory

## Product characteristics

### Description

- the perfectly designed compact cassette awning. The outstanding “lightweight” for balcony and patio

### Special features

- self-supporting cassette profile construction, the brackets being installed at each end of the awning – also suitable for bridging larger distances
- cassette with arms situated in front and at each end, which – when the awning is closed – are encompassed fully by the front profile and which lends an harmonious overall appearance to the awning
- even when the awning is fully extended, the roller tube is completely protected

### Dimensions

- cassette in the standard version: depth 217 mm, height 124 mm
- single unit: minimum width 179 cm at the smallest projection of 150 cm, maximum width 500 cm at the largest projection of 300 cm

### Roller tube and lateral arm bearers

- round roller tube Ø 85 mm with keyway, galvanised steel – excellent stability, ensures near perfect cover performance even at the largest widths
- the arm bearer is made of die-cast aluminium, powder coated, with integrated, infinitely variable pitch setting mechanism

### Awning profiles

- extruded aluminium, in façade quality, powder coated
- cassette in two parts
- semi-circular front profile with integrated gutter

### Folding arms

- profiles in extruded aluminium, in façade quality, powder coated
- moving parts made of drop-forged aluminium – the arms are therefore extremely fracture resistant
- pivot bolts in stainless steel run in Teflon-coated bronze bushes – practically maintenance free, virtually silent and extremely hard-wearing
- power transference via corrosion-protected twin steel-link chains at the elbow joint, optionally with innovative bionic tendon made of high tensile, high-tech fibre – low in friction, noiseless, insensitive to corrosion and UV resistant

### Side caps

- the cassette insert sections are made of high-quality plastic, powder coated or in a polished chrome finish
- the front profile end caps are made of high-quality plastic, powder coated, with drainage holes

### Fixture brackets

- face fixture, top fixture, eaves fixture
- extruded aluminium, powder coated
- available in intermediate widths made to order (on request)
- pitch range 5°–35° (face fixture) or 5°–70° (top or eaves fixture), infinitely variable
- spacer plates, stand-off brackets and other accessories are available

01 **Frame and end cap colours**

markilux frame colours without surcharge

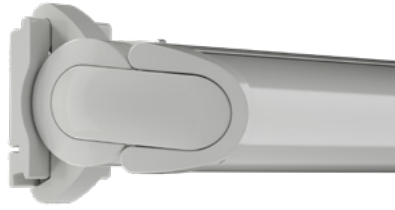
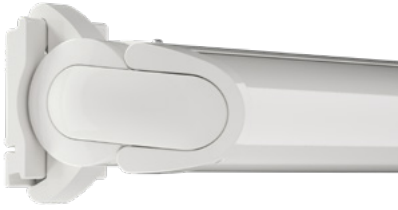
02

traffic white RAL 9016

metallic aluminium RAL 9006

grey brown, similar to RAL 8019

03



04

05

06

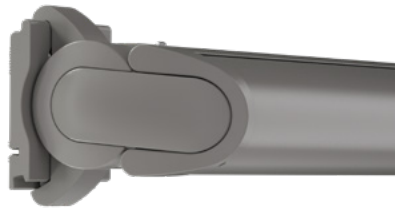
07

off-white textured finish, 5233 <sup>1)</sup>

stone grey metallic, 5215 <sup>1)</sup>

anthracite metallic, 5204 <sup>1)</sup>

08



09

10

11

Havana brown textured finish, 5229 <sup>1)</sup>



12

13

14

15

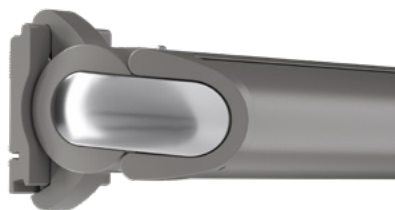
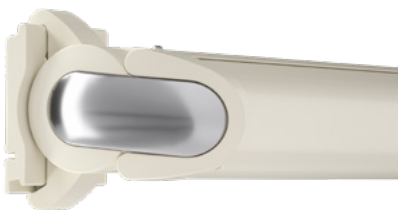
16

17

off-white textured finish, 5233 <sup>1)</sup>  
end cap insert in polished chrome

stone grey metallic, 5215 <sup>1)</sup>  
end cap insert in polished chrome

anthracite metallic, 5204 <sup>1)</sup>  
end cap insert in polished chrome



Combination options – possible in any frame colour.

**Non-standard powder-coated finish**

Bespoke frame colours at a surcharge – matt, metallic and pearl finishes as well as other colour ranges (DB, Tiger etc.) on request. All frame colours are available at a surcharge with enhanced corrosion protection.

<sup>1)</sup> textured finish

Colours may differ slightly from those depicted in both hue and finish.

# Dimensions and configuration options


Single unit

		Overall awning width						Minimum width	
		250	300	350	400	450	500	Motor	Crank handle
Order dimensions		179	251	301	351	401	451		
		250	300	350	400	450	500		
H	150	1)						179	179
	200	1)						229	229
	250	—	1)					279	279
	300	—	—	1)				329	329

dimensions in cm

1) = please note the minimum widths!

H = nominal projection

 = 2 standard arms, 2 fixture brackets

Operation	standard	optional
crank handle	✓	—
spring-assisted crank handle	—	✓
hard-wired motor	—	✓
silentec motor (optionally with an external io / RTS receiver) 1)	—	—
radio-controlled motor io, 868 MHz	—	✓
radio-controlled motor RTS, 433 MHz	—	✓
radio-controlled motor RTS, 433 MHz with manual override 1)	—	✓

1) for awnings with a maximum of 2 arms

Coupled Awning
not available

Awning cover	fabric range no.	standard	optional
sunvas	301.. / 309..-315..	✓	—
perla	370 ..	—	✓
sunsilk	324.. / 325.. / 328.. / 369..	✓	—
perla FR	374.. / 375..	—	✓
perfortex	331.. / 332..	—	—
transolair	338..	—	—
vuscreen Alu	317..	—	—
Soltis Perform 92	92-20..	—	—
glass fibre screen	272..	—	—
valance, height 20 cm		—	✓

Shadeplus / drop valance
not available

**Optional accessories**

folding-arm technology with bionic tendon
valance
wall sealing profile
infrared heater 2500 W
infrared heater 2500 W with integrated radio-controlled receiver 868 MHz io
LED spotline – light bar 110 × 70 mm with 5 W LED spotlights, width 180 cm / 3 spots or 300 cm / 5 spots
LED spotline io – light bar 110 × 70 mm with 5 W LED spotlights with integrated dimmable radio-controlled receiver, width 180 cm / 3 spots or 300 cm / 5 spots
automatic controls (light, wind, rain)

**N.B!** Important background information can be found in the chapter “Optional Accessories”.

**Fixture options**

face fixture bracket 150 mm	71624.
face fixture bracket 300 mm L	70617.
face fixture bracket 300 mm R	70600.
spreader plate A 430 × 160 × 12 mm	75326.
spreader plate B 300 × 400 × 12 mm	75325.
markilux panel 250 × 230 × 49 mm	76308.
markilux panel continuous	76380.
stand-off bracket 80–300 mm	77968.
top fixture bracket 150 mm	71625.
eaves fixture bracket 90 mm, 150 mm plate	71612.
eaves fixture bracket 90 mm, 270 mm plate	71659.
flat plate and angled bracket for eaves fixture, machine finish, 500 mm plate	716620
spreader plate 260 × 60 × 12 mm for eaves fixture bracket	75383.

**No. of brackets | No. of fixing points**

		Overall awning width					
		250	300	350	400	450	500
<b>Order dimensions</b>		180	251	301	351	401	451
		250	300	350	400	450	500
<b>BHT</b>		<b>No. of brackets   No. of fixing points</b>					
<b>W</b>	<b>15</b>	2   6					
<b>BP</b>		A 2   16    B 2   8					
<b>PA</b>		2   8					
<b>DA / DE</b>	<b>15</b>	2   8					

If the brackets cannot be positioned in accordance with this table, make sure the actual dimensions are noted on the order form!

The **pull-out forces** necessary for determining the correct fixing materials necessary to meet wind resistance class 2 (Beaufort 5) can be found in the password-protected dealer area of the markilux.com website under “Pull-out Forces”.

**A** = arm position

**BHT** = bracket width

**BP** = spreader plate (A or B)

**DA** = eaves fixture brackets

**DE** = top fixture brackets

**H** = *order dimension* = projection

**M** = *order dimension* = awning width

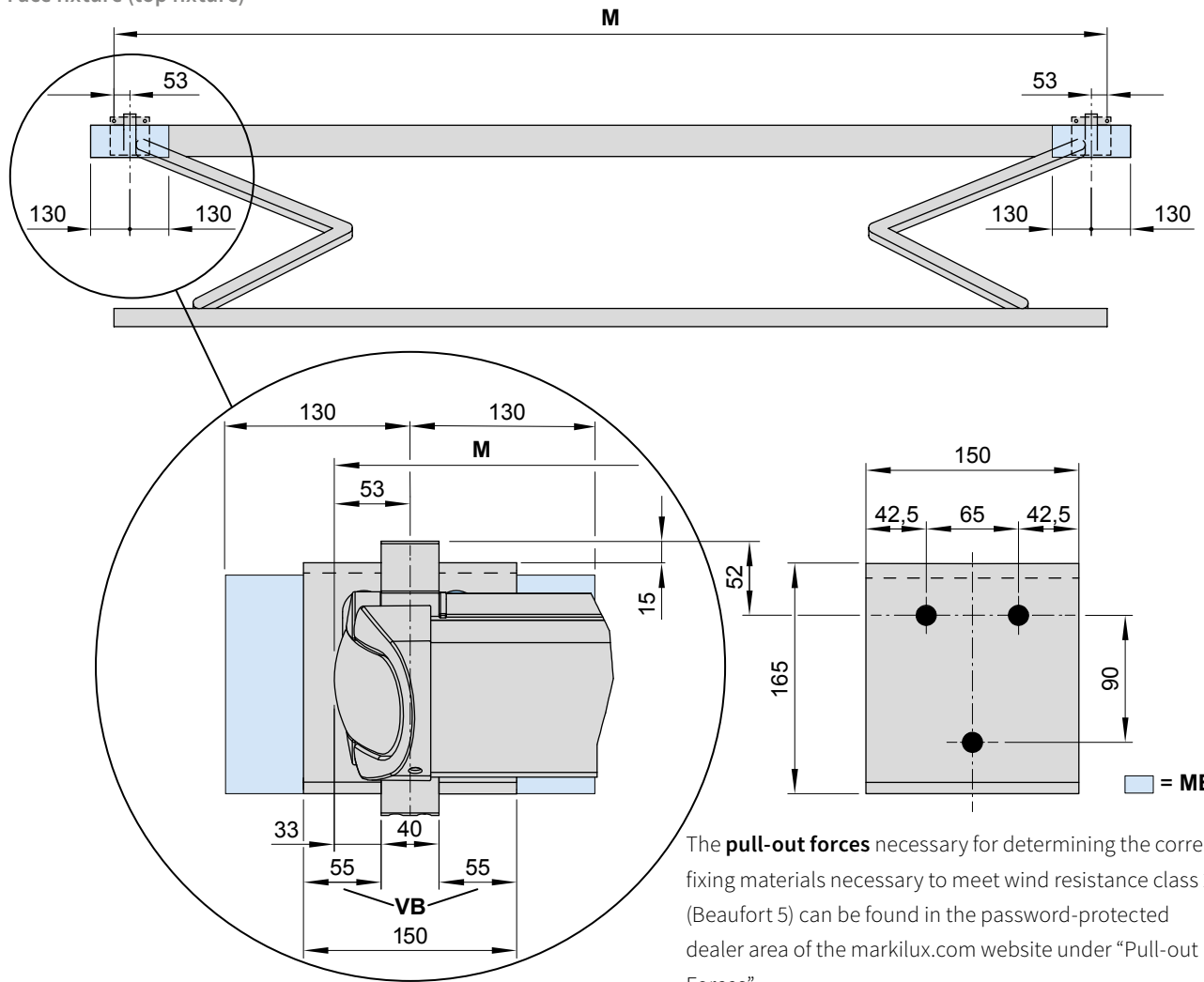
**PA** = markilux panel, fixture profile, width 250 mm

**W** = face fixture brackets

dimensions in cm

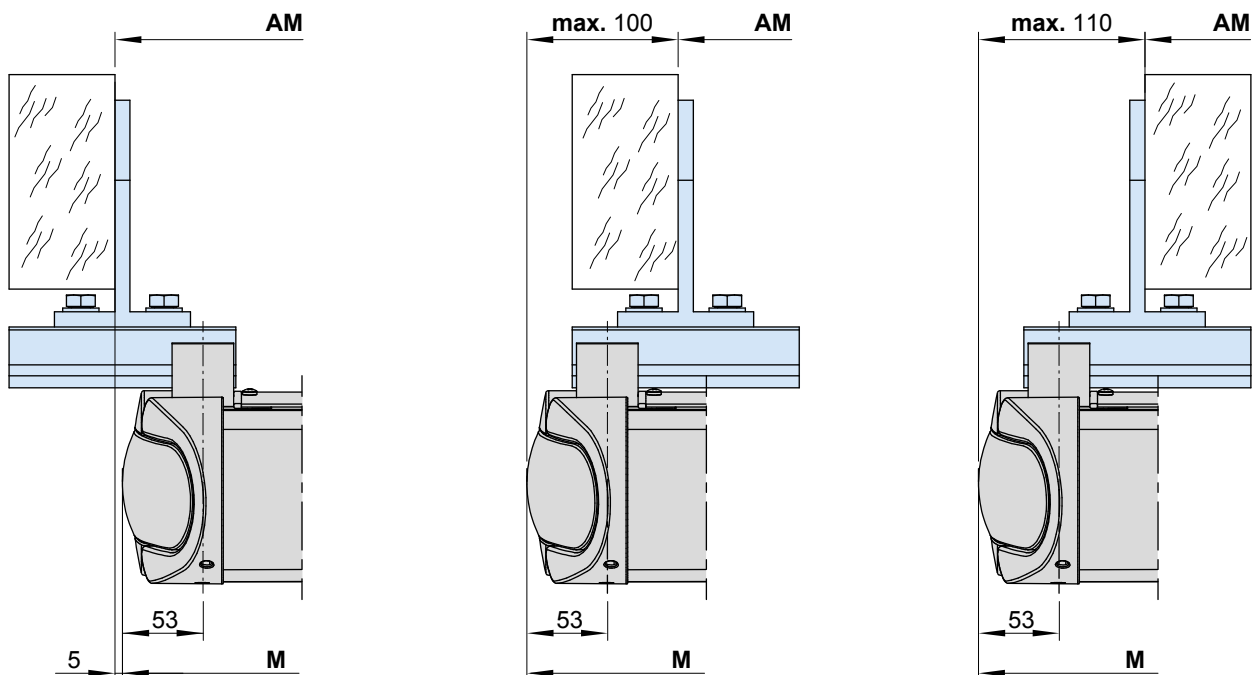
# Bracket fixture range

Face fixture (top fixture)



The **pull-out forces** necessary for determining the correct fixing materials necessary to meet wind resistance class 2 (Beaufort 5) can be found in the password-protected dealer area of the markilux.com website under "Pull-out Forces".

Eaves fixture

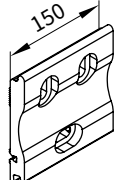


M = order dimension = awning width  
 MB = bracket fixture range

VB = adjustment range face fixture bracket  
 X = installation dimensions dimensions in mm

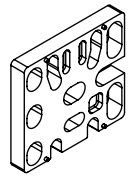
# Face fixture

## Fixtures, fittings and accessories



face fixture bracket  
150 mm

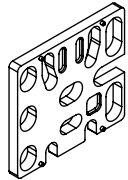
**71624.**



spacer plate for face fixture  
150 x 136 x 20 mm

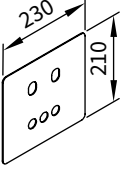
**N.B!** stack to a max.  
height of 200 mm

**716331**



spacer plate for face fixture  
150 x 136 x 12 mm

**71644.**



cover plate  
for spacer plate  
and stand-off brackets  
in the case of external  
insulation  
230 x 210 x 2 mm

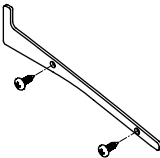
**71843.**



Wall sealing profile  
incl. brush seal  
when installing with a  
coverboard

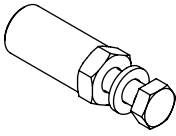
available by the metre

**76385. and 704241**



1 side plate including  
2 pan-head self-tapping  
screws for wall sealing  
profile

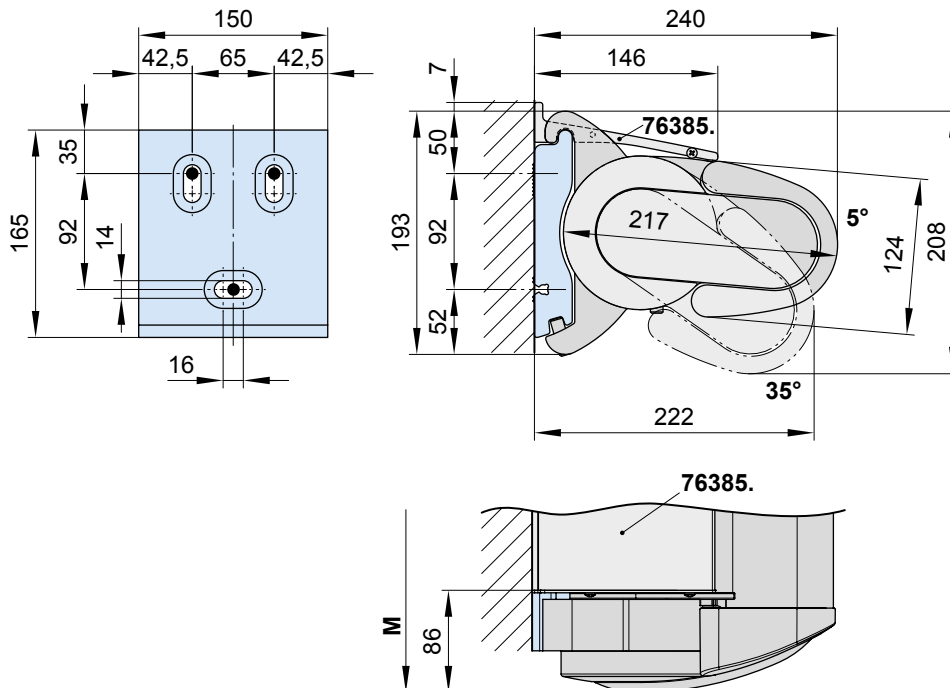
**76386. and 2 x 735611**



reduction  
pack 10 pcs

M 16 → M 12 | M 16 → M 10 | M 12 → M 10 | M 10 → M 10

The **pull-out forces** necessary for determining the correct fixing materials necessary to meet wind resistance class 2 (Beaufort 5) can be found in the password-protected dealer area of the markilux.com website under "Pull-out Forces".



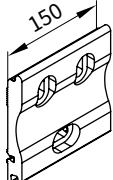
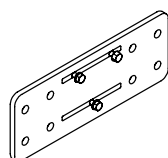
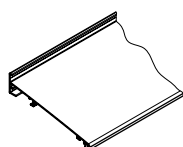
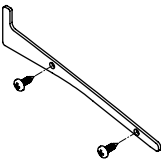
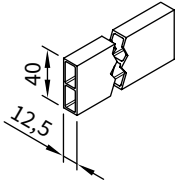
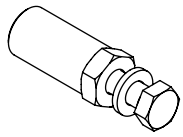
**76385.** = wall sealing profile (standard width = awning width (M) - 168 mm; up to a maximum awning pitch of 35°)

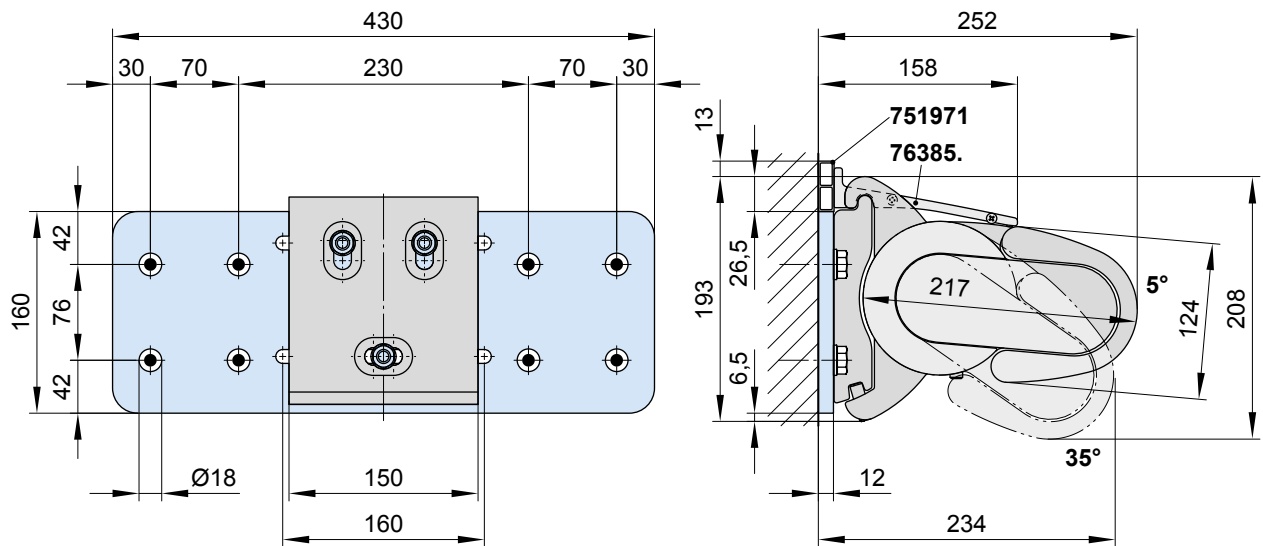
dimensions in mm



# Face fixture with spreader plate A

Fixtures, fittings and accessories

 <p>face fixture bracket 150 mm</p> <p><b>71624.</b></p>	 <p>spreader plate A 430 x 160 x 12 mm</p> <p><b>75326.</b></p>	 <p>Wall sealing profile incl. brush seal when installing with a coverboard available by the metre</p> <p><b>76385. and 704241</b></p>
 <p>1 side plate including 2 pan-head self-tapping screws for wall sealing profile</p> <p><b>76386. and 2 x 735611</b></p>	 <p>stand-off strip for wall sealing profile available by the metre</p> <p><b>751971</b></p>	 <p>reduction pack 10 pcs</p> <p>M 16 → M 12   M 16 → M 10   M 12 → M 10   M 10 → M 10</p>

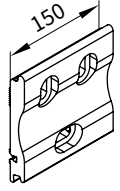
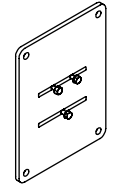
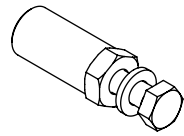
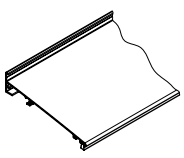
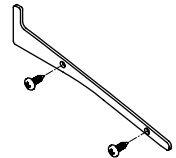
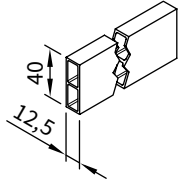


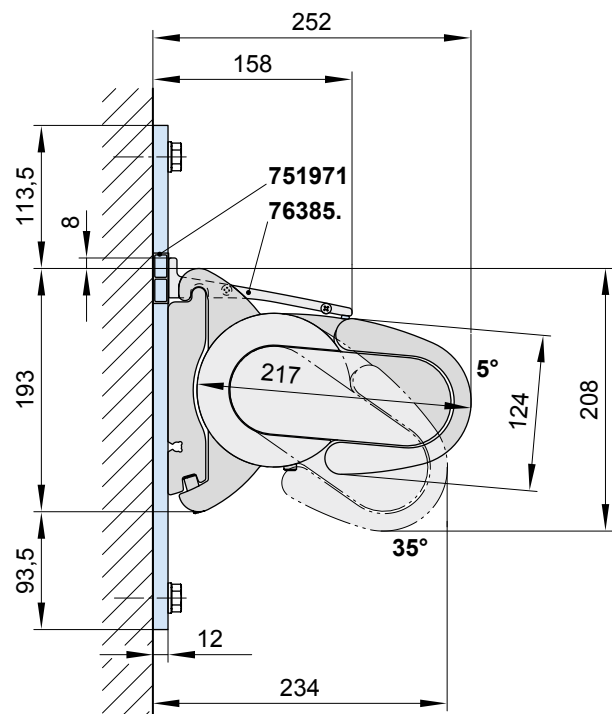
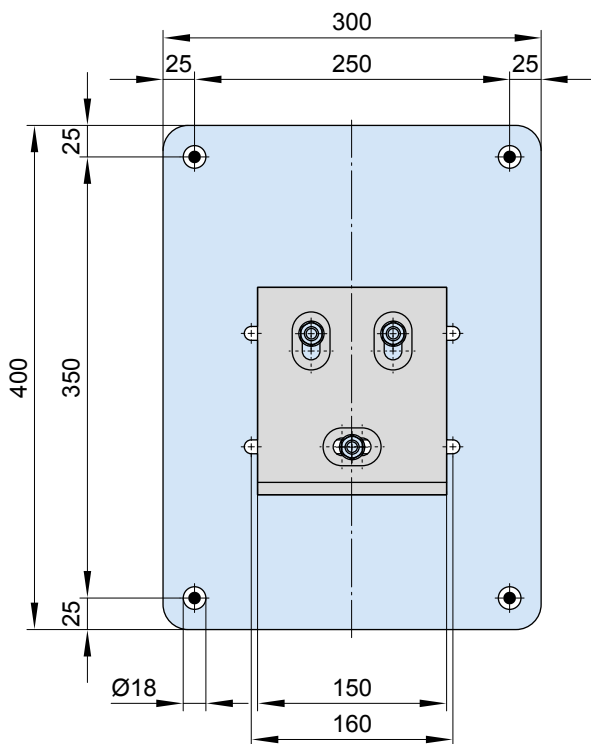
**751971** = stand-off strip for wall sealing profil  
**76385.** = wall sealing profile (standard width = awning width (M) – 168 mm;  
 up to a maximum awning pitch of 35°)

dimensions in mm

# Face fixture with spreader plate B

## Fixtures, fittings and accessories

 <p>face fixture bracket 150 mm</p> <p><b>71624.</b></p>	 <p>spreader plate B 300 × 400 × 12 mm</p> <p><b>75325.</b></p>	 <p>reduction pack 10 pcs</p> <p>M 16 → M 12   M 16 → M 10   M 12 → M 10   M 10 → M 10</p>
 <p>Wall sealing profile incl. brush seal when installing with a coverboard</p> <p>available by the metre</p> <p><b>76385. and 704241</b></p>	 <p>1 side plate including 2 pan-head self-tapping screws for wall sealing profile</p> <p><b>76386. and 2 × 735611</b></p>	 <p>stand-off strip for wall sealing profile</p> <p>available by the metre</p> <p><b>751971</b></p>



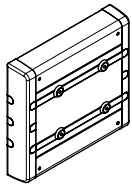
**751971** = stand-off strip for wall sealing profil

**76385.** = wall sealing profile (standard width = awning width (M) - 168 mm;  
up to a maximum awning pitch of 35°)

dimensions in mm

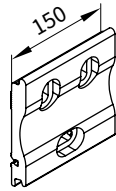
## Face fixture with markilux panel 250 mm

Fixtures, fittings and accessories



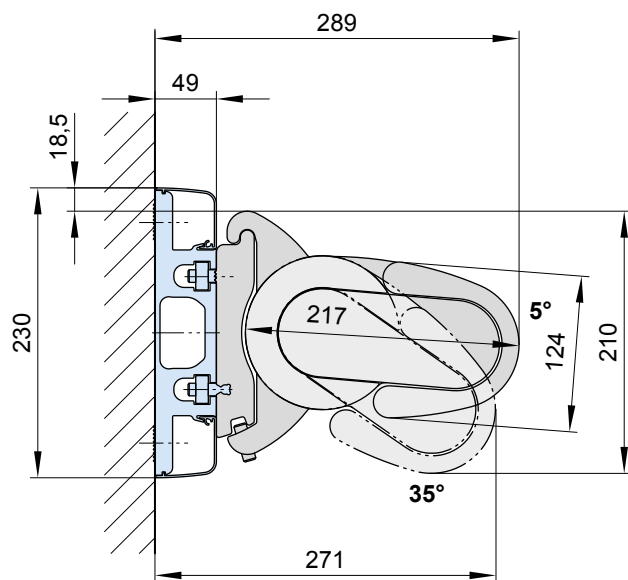
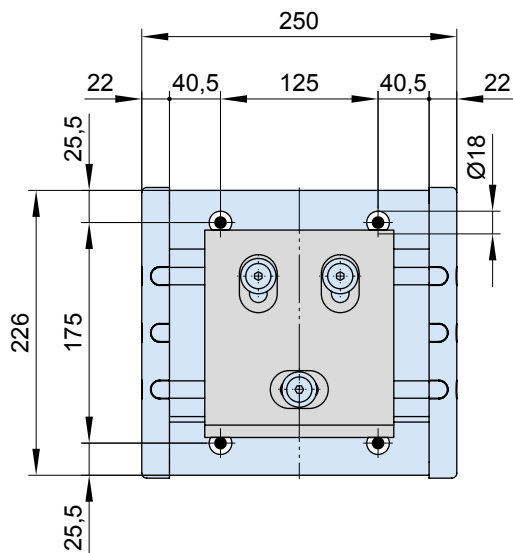
markilux panel  
fixture profile,  
with decorative profiles  
and end caps  
250 × 230 × 49 mm

76308.



face fixture bracket  
150 mm

71624.

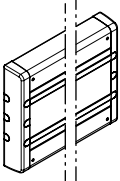


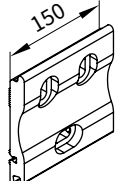
dimensions in mm

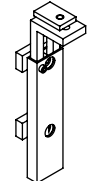
01  
02  
03  
04  
05  
06  
07  
08  
**09**  
10  
11  
12  
13  
14  
15  
16  
17

# 01 Face fixture with markilux panel continuous

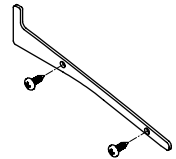
## 02 Fixtures, fittings and accessories

03  markilux panel  
04 fixture profile,  
05 with decorative profiles  
06 and end caps  
07 continuous  
08 **76380.**

03  face fixture bracket  
04 150 mm  
05 **71624.**

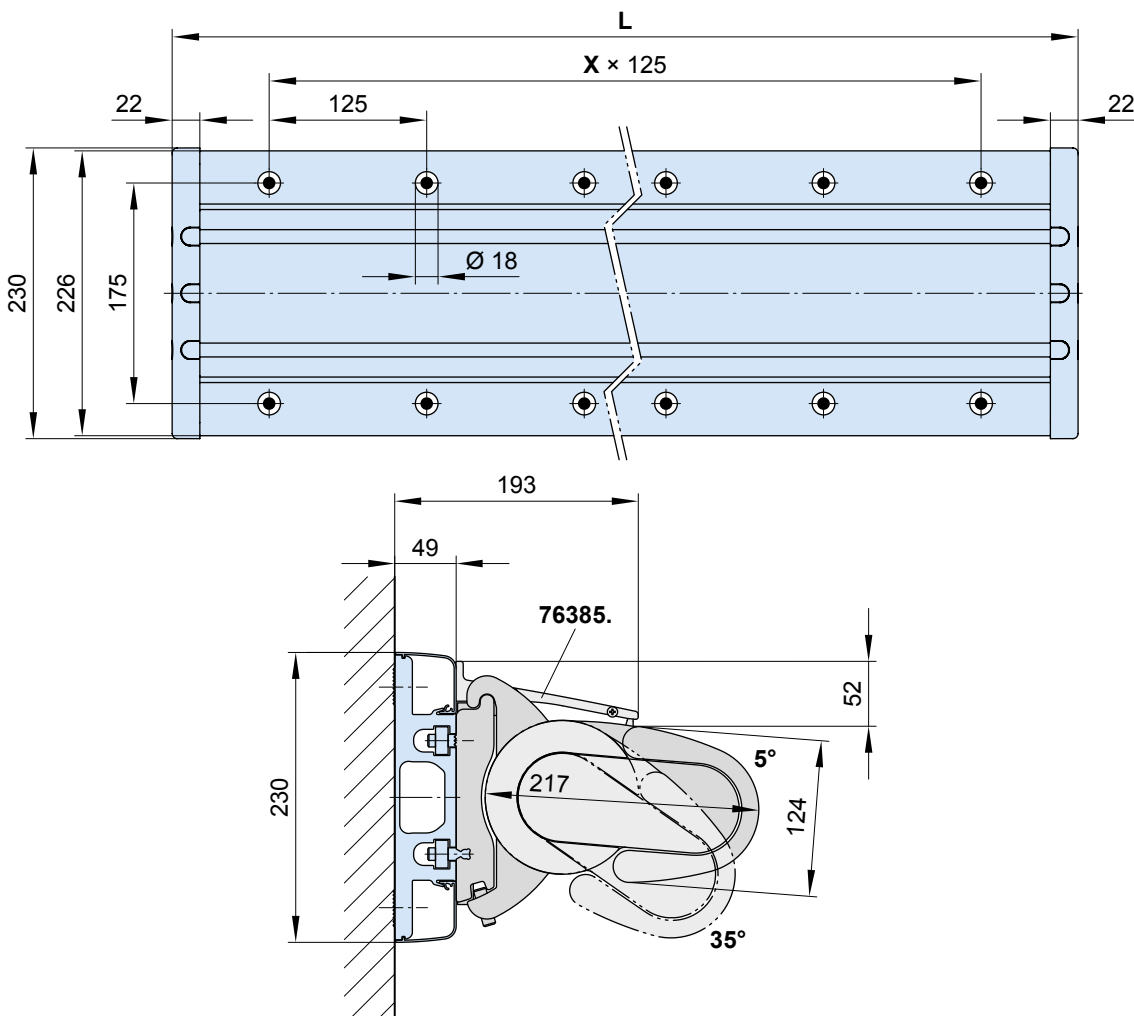
03  bracket  
04 wall sealing profile  
05 small  
06 **76387.**

03  Wall sealing profile  
04 incl. brush seal  
05 when installing with a  
06 coverboard  
07 available by the metre  
08 **76385. and 704241**

03  1 side plate including  
04 2 pan-head self-tapping  
05 screws for wall sealing  
06 profile  
07 **76386. and 2 x 735611**

09

10 As a **continuous fixture profile**, the markilux panel will always be supplied to order on the basis of a technical drawing prepared in  
11 the factory in accordance with the awning specification.



12 **76385.** = wall sealing profile (standard width = **M** – 168 mm; up to a maximum awning pitch of 35°)

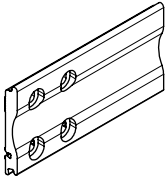
13 **L** = individual width max. 7000 mm, (standard **L** = **M** + 20 mm)

14 **X** = fixing point separation, **by way of example**

15 dimensions in mm

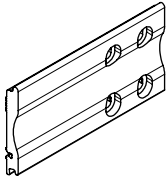
# Face fixture with spacer bracket

Fixtures, fittings and accessories



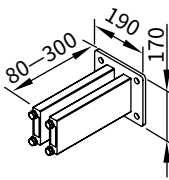
face fixture bracket left  
300 mm

**70617.**



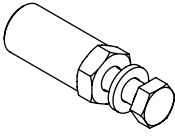
face fixture bracket right  
300 mm

**70600.**



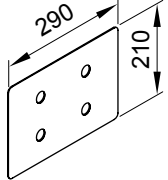
stand-off bracket  
for face-fixture bracket  
70617. and 70600.

**77968.**



reduction  
pack 10 pcs

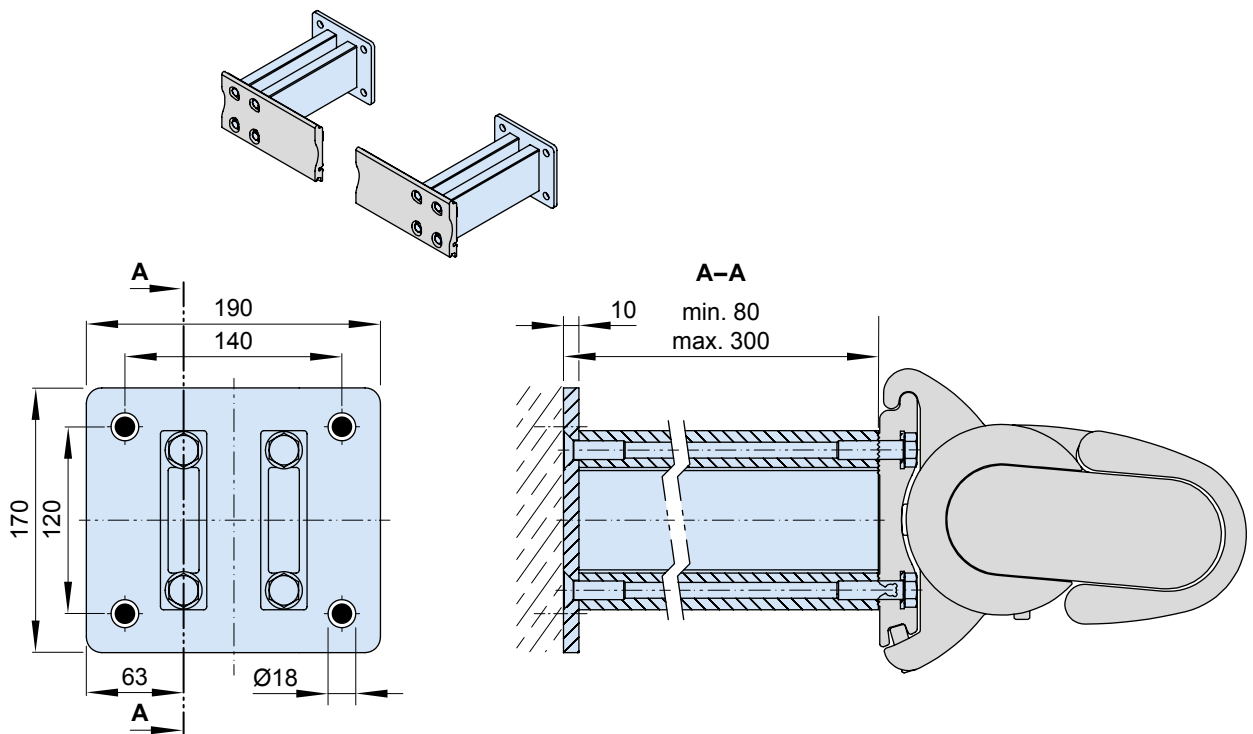
M 16 → M 12 | M 16 → M 10 | M 12 → M 10 | M 10 → M 10



cover plate  
for spacer plate  
and stand-off brackets  
in the case of external  
insulation

290 × 210 × 2 mm

**71841.**

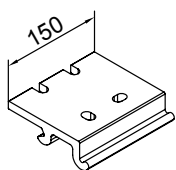


dimensions in mm

01  
02  
03  
04  
05  
06  
07  
08  
**09**  
10  
11  
12  
13  
14  
15  
16  
17

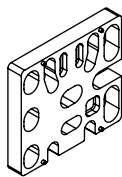
01 **Top fixture**

02 **Fixtures, fittings and accessories**



top fixture brackets  
150 mm

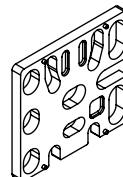
71625.



spacer plate for top fixture  
150 x 136 x 20 mm

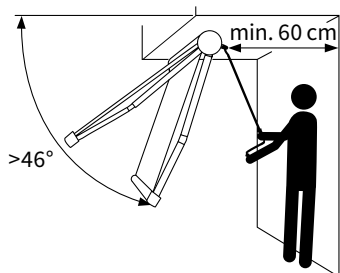
**N.B!** stack to a max.  
height of 200 mm

716331



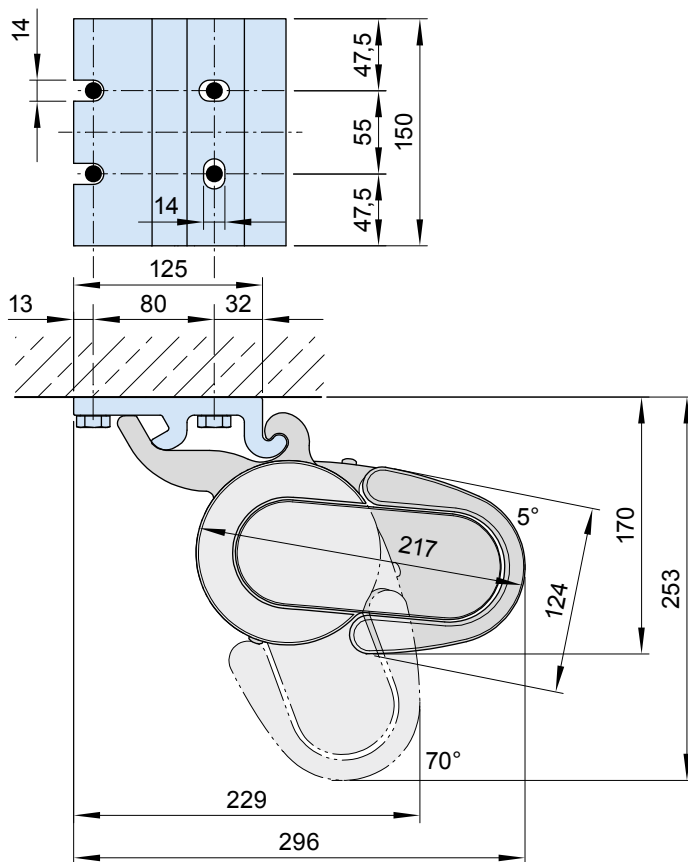
spacer plate for top fixture  
150 x 136 x 12 mm

71644.



At a pitch of more than 46° to the horizontal there must be an area accessible behind the awning at least 60 cm deep to allow operation of an RTS motor with manual override.

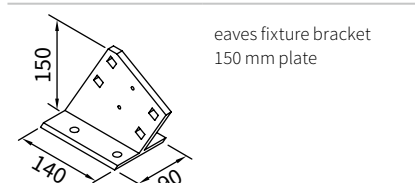
09



dimensions in mm

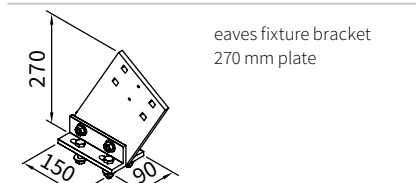
# Eaves fixture

## Fixtures, fittings and accessories



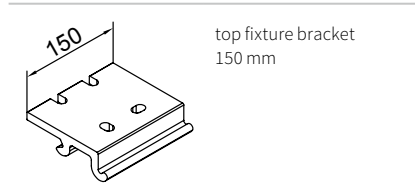
eaves fixture bracket  
150 mm plate

**71612.**



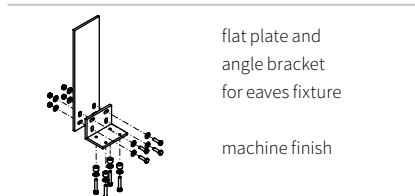
eaves fixture bracket  
270 mm plate

**71659.**



top fixture bracket  
150 mm

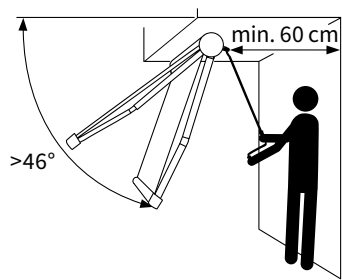
**71625.**



flat plate and  
angle bracket  
for eaves fixture

machine finish

**716620**

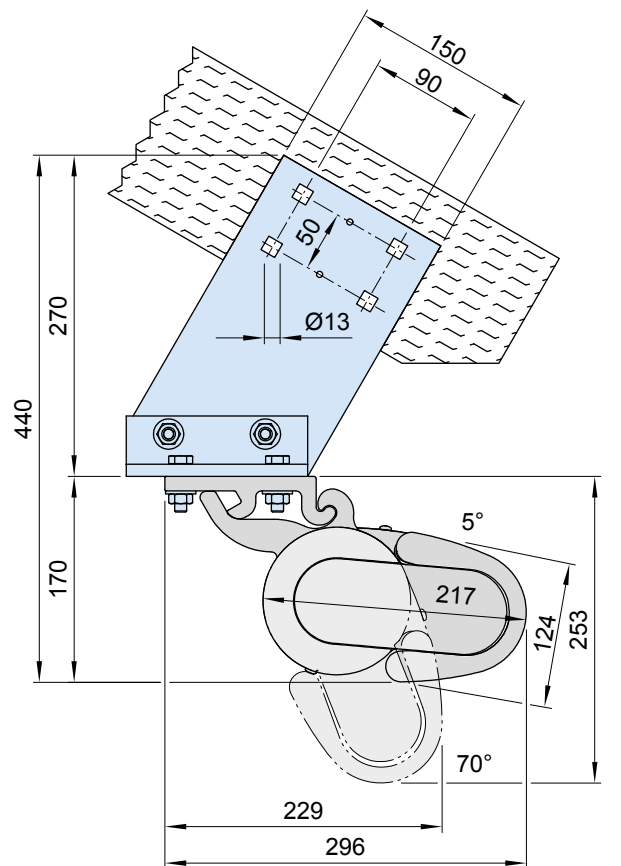
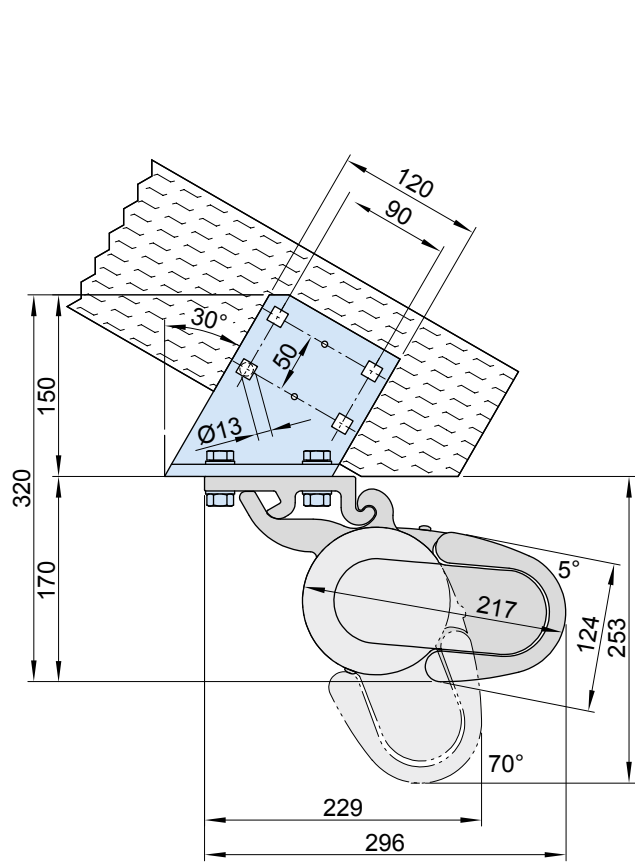


At a pitch of more than  $46^\circ$  to the horizontal there must be an area accessible behind the awning at least 60 cm deep to allow operation of an RTS motor with manual override.

- 01
- 02
- 03
- 04
- 05
- 06
- 07
- 08
- 09**
- 10
- 11
- 12
- 13
- 14
- 15
- 16
- 17

With eaves fixture bracket 150 mm (71612.)

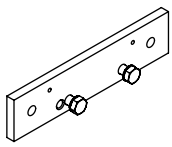
With eaves fixture bracket 270 mm (71659.)



dimensions in mm

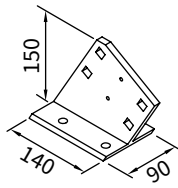
# Eaves fixture with additional plate

## Fixtures, fittings and accessories



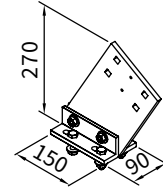
supplementary flat plate eaves fixture  
260 × 60 × 12 mm

75383.



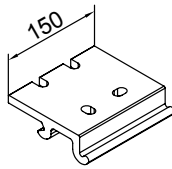
eaves fixture bracket  
150 mm plate

71612.



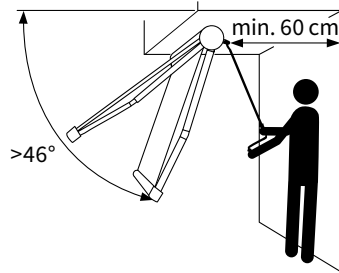
eaves fixture bracket  
270 mm plate

71659.



top fixture bracket  
150 mm

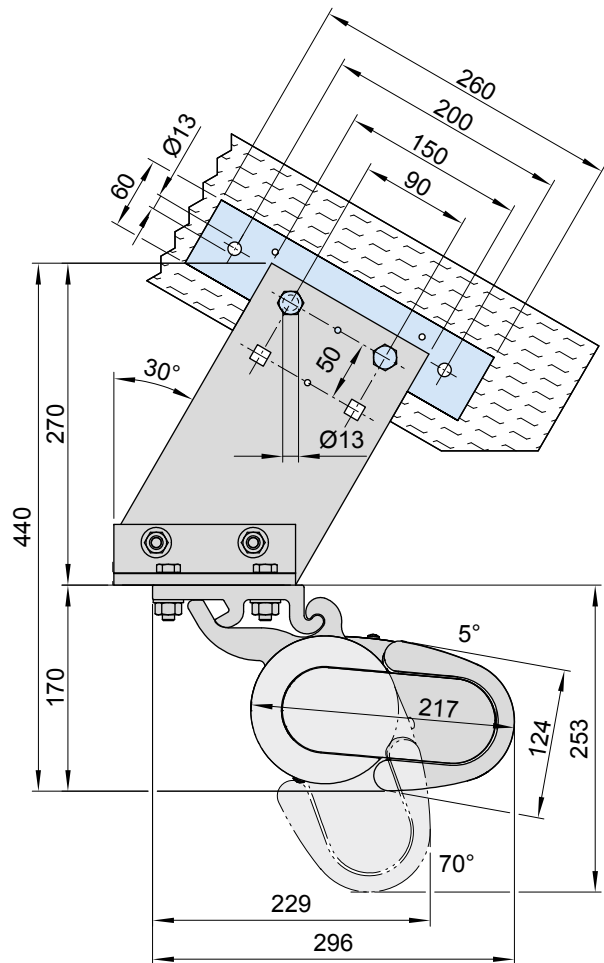
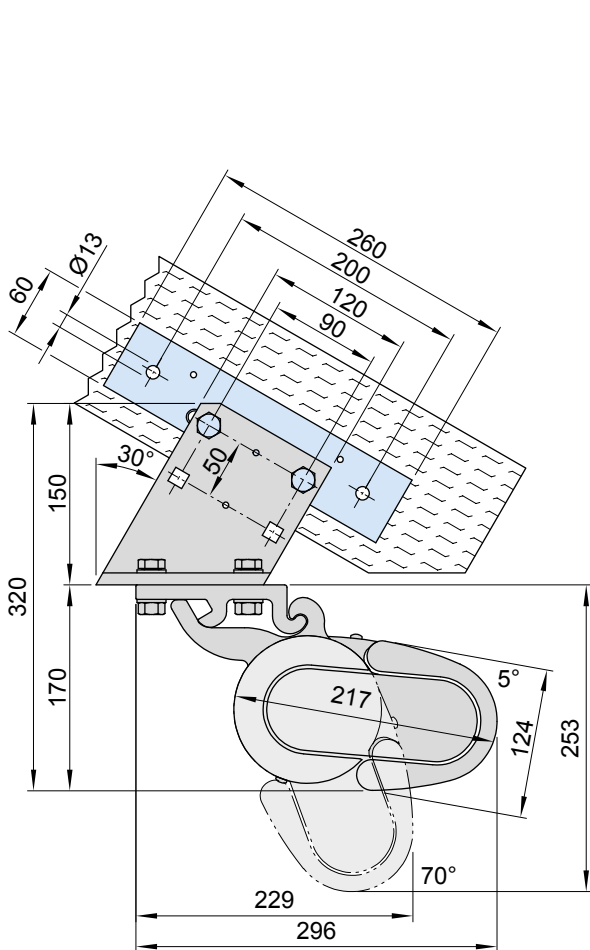
71625.



At a pitch of more than 46° to the horizontal there must be an area accessible behind the awning at least 60 cm deep to allow operation of an RTS motor with manual override.

With eaves fixture bracket, 150 mm plate (71612.)

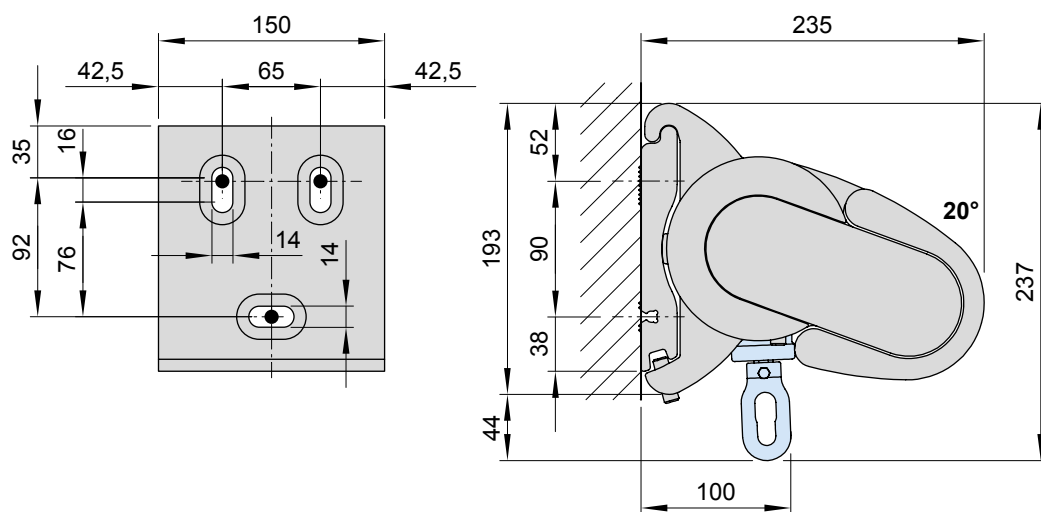
With eaves fixture bracket, 270 mm plate (71659.)



dimensions in mm

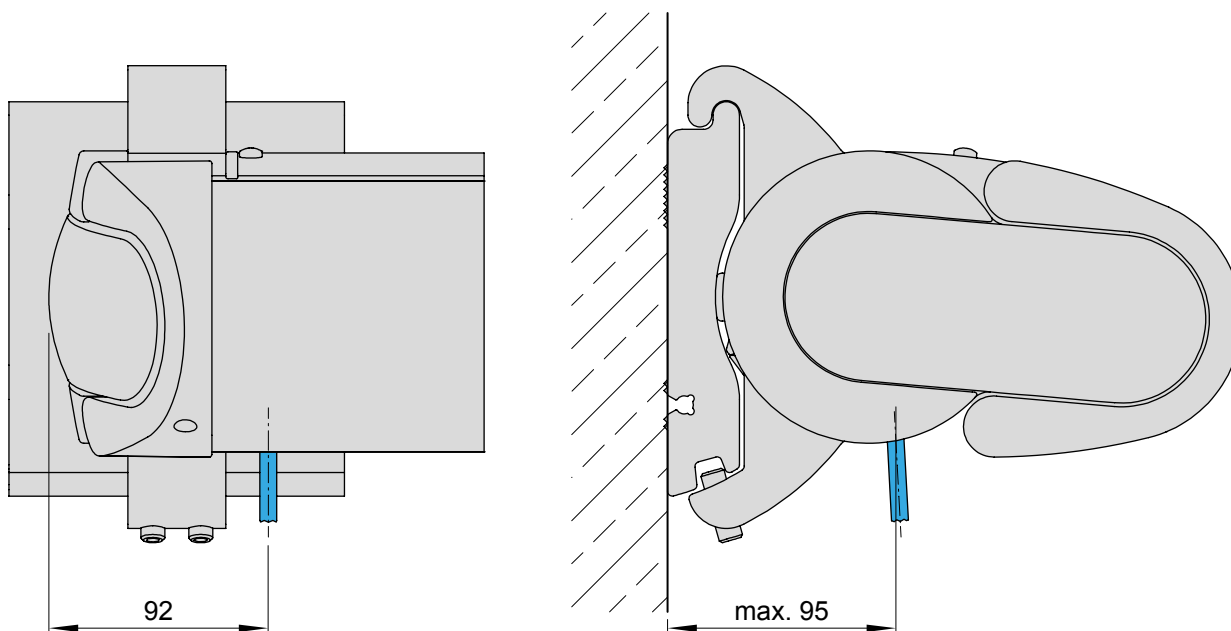


### Face fixture, manual operation



- 01
- 02
- 03
- 04
- 05
- 06
- 07
- 08
- 09**
- 10
- 11
- 12
- 13
- 14
- 15
- 16
- 17

### Motor cable exit point



dimensions in mm

01 Face fixture, radio-controlled motor with manual override

02

03

04

05

06

07

08

09

10

11

12

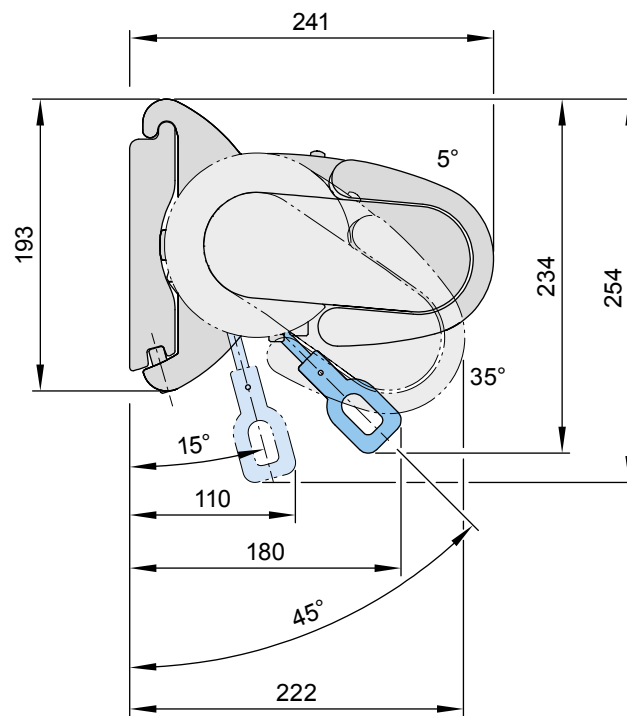
13

14

15

16

17



dimensions in mm