



Cassette awning

markilux 6000

A designer cassette awning that is individually modifiable in both colour and specification. The enormous variety of combinations of both the visual and technical aspects makes this awning unique.



reddot design award
winner 2006



DESIGNPREIS
2007
NOMINEE

markilux.com

markilux

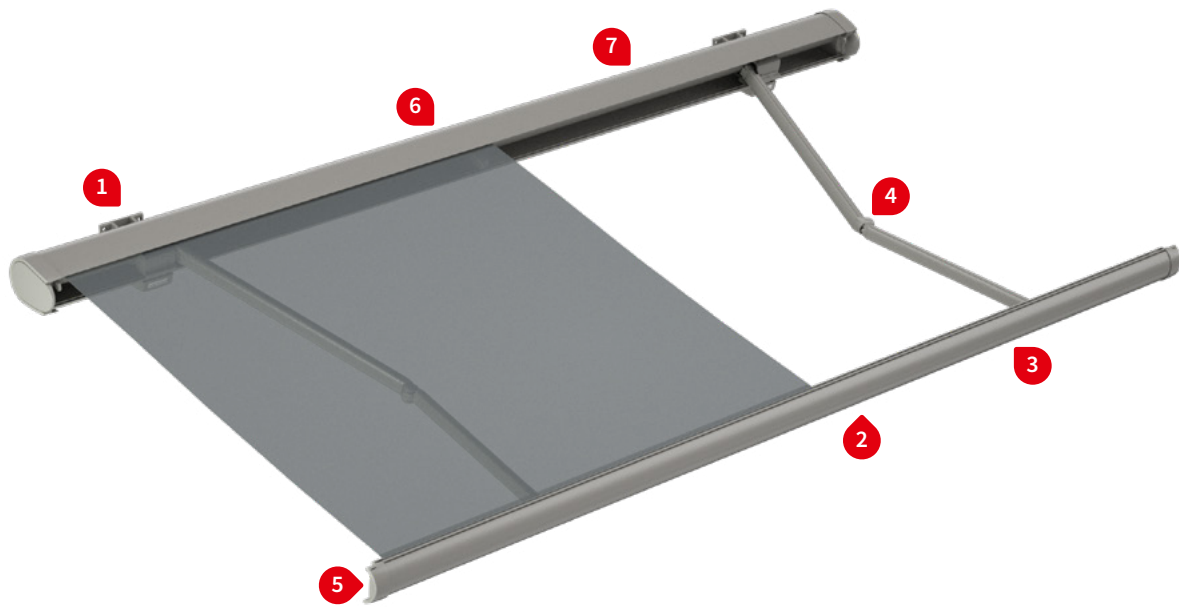
safe timeless beautiful

Product characteristics

Wind resistance class 2

Beaufort 5 → 7.5–10.4 m/s → 28–37 km/h → 17–23 mph

01
02
03
04
05
06
07
08
09
10
11
12
13
14
15
16
17



1) face fixture



1) top fixture



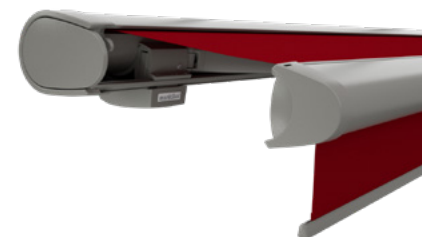
2) LED spotlights in the front profile ¹⁾



3) drop valance ¹⁾



3) drop valance, during extension ¹⁾



4) bionic tendon and hidden cable canal in the arms



5) concealed gutter with water drainage holes to the side



6) infrared heater attached to the cassette ¹⁾



7) wall sealing profile ¹⁾



¹⁾ optional configuration

Product characteristics

Description

- top-quality ovally shaped designer cassette awning, presented with the reddot design award.
- extremely robust construction, ideally suited for shading large areas.

Special features

- option of a drop valance up to a projection of 350 cm – vertical protection against low-lying sun, wind and inquisitive glances integrated into the front profile, can be operated manually or by motor
- option of adjustable LED spotlights in the front profile – to create a pleasant atmosphere
- option of a silentec motor – motor noise is appreciably reduced
- the awning frame colour and end cap options can be freely combined (end cap trim and insert for the cassette, end caps for the front profile)

Dimensions

- cassette in the standard version: depth 255 mm, height 165 mm
cassette with drop valance: depth 317 mm, height 165 mm (without brackets)
- single unit: minimum width 205 cm at the smallest projection of 150 cm, maximum width 700 cm at the largest projection of 400 cm
- also available as a coupled unit

Roller tube and lateral bearings

- round roller tube Ø 85 mm with keyway, galvanised steel – excellent stability, ensures near perfect cover performance even at the largest widths
- the cassette side caps are made of die-cast aluminium, powder coated

Awning profiles

- extruded aluminium, in façade quality, powder coated
- cassette in two parts with integrated cover profile – offering optimum protection of the awning cover against the weather
- semi-circular front profile with integrated gutter

Folding arms

- profiles in extruded aluminium, in façade quality, powder coated
- moving parts made of drop-forged aluminium – the arms are therefore extremely fracture resistant
- pivot bolts in stainless steel run in Teflon-coated bronze bushes – practically maintenance free, virtually silent and extremely hard-wearing
- power transference via the innovative bionic tendon at the elbow joint, made of high tensile, hightech fibres – low in friction, noiseless, insensitive to corrosion and UV resistant, tested by the Fraunhofer institute

Side caps

- the cassette end caps are made of high-quality plastic, consisting of trim and insert sections
- end cap trim powder coated or in polished chrome, end cap insert powder coated or made of stainless steel mesh
- the front profile end caps are made of high-quality plastic, powder coated or in polished chrome, with drainage holes

Fixture brackets

- face fixture, top fixture, eaves fixture
- Extruded aluminium, powder coated
- brackets with elegant cowling made of plastic, powder coated
- pitch range 5°–35° or 36°–70°, infinitely adjustable
- spacer plates, stand-off brackets and other accessories are available

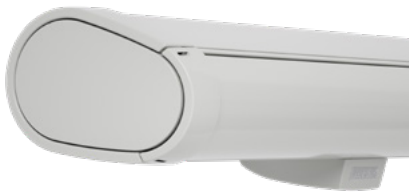
01 **Frame and end cap colours**

02 markilux awning colours without surcharge

03 traffic white RAL 9016

04 metallic aluminium RAL 9006

05 grey brown, similar to RAL 8019

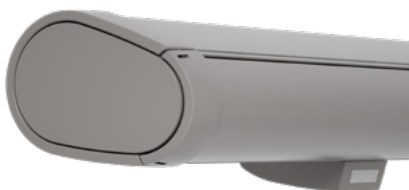


05

06 off-white textured finish, 5233 ¹⁾

07 stone grey metallic, 5215 ¹⁾

08 anthracite metallic, 5204 ¹⁾



09 Havana brown textured finish, 5229 ¹⁾



10 Frame in polished chrome

11 end cap insert in stainless steel mesh

12 trim in polished chrome and insert in stainless steel mesh



Combination options by example of the frame colour stone grey metallic 5215 – possible in any frame colour,

Non-standard powder-coated finish

Bespoke frame colours at a surcharge – matt, metallic and pearl finishes as well as other colour ranges (DB, Tiger etc.) on request. All frame colours are available at a surcharge with enhanced corrosion protection.

¹⁾ textured finish

Colours may differ slightly from those depicted in both hue and finish.

Dimensions and configuration options

Single unit

Order dimensions	Overall awning width										Minimum width					
	250	300	350	400	450	500	550	600	650	700 ²⁾	Motor			Crank handle		
	205 250	251 300	301 350	351 400	401 450	451 500	501 550	551 600	601 650	651 700						
H	150	3)									218	205	—	218	205	
	200	—	3)								268	255	—	268	255	
	250	—	—	3)							318	305	—	318	305	
	300	—	—	—	3)						368	355	—	368	355	
	350	—	—	—	—	3)				2) 3) 4)	418	405	647	418	405	
	400 ^{1) 2)}	—	—	—	—	—	3)				468	455	697	—	—	

- 1) = drop valance not available
 2) = only available with motor drive (surcharge)
 3) = observe the minimum widths!
 4) = in case of 350 cm projection and awning width 647–655 cm: assembly of the decorative cap for top and eaves fixture bracket not possible

H = extension

- = 2 folding arms, 2 brackets
 = 2 folding arms, 3 brackets
 = 2 folding arms, 3 brackets, 1 rolltex bearing
 = 3 folding arms, 4 brackets, 2 rolltex bearings

- = 2 standard arms
 = 2 bespoke arms (surcharge)
 = 3 standard arms

dimensions in cm

Operation	standard	optional
crank handle	✓	—
spring-assisted crank handle	—	✓
hard-wired motor	—	✓
silentec motor (optionally with an external io / RTS receiver) ¹⁾	—	✓
radio-controlled motor io, 868 MHz	—	✓
radio-controlled motor RTS, 433 MHz	—	✓
radio-controlled motor RTS, 433 MHz with manual override ¹⁾	—	✓

1) for awnings with a maximum of 2 arms

Coupled Awning (only with motor drive)¹⁾

2 fields, 1 motor, maximum width 1390 cm
3 fields, 1 motor, maximum width 1800 cm
maximum projection (depending on the width) 400 cm
junction roller
optionally with a one-piece cover (maximum of 2 fields / projection 350 cm / 15° pitch – without internal cover profile, drop valance not available)

1) **N.B!** – Important background information can be found in the chapter “General Information”, in the section “Coupled Awnings”.

Awning cover	fabric range no.	standard	optional
sunvas	301.. / 309..–315..	✓	—
perla	370 ..	—	✓
sunsilk	324.. / 325.. / 328.. / 369..	✓	—
perla FR	374.. / 375..	—	✓
perfortex	331.. / 332..	—	—
transolair	338..	—	—
vuscreen Alu	317..	—	—
Soltis Perform 92	92-20..	—	—
glass fibre screen	272..	—	—
valance, height 20 cm		—	✓

Drop valance ^{1) 2)}	standard	optional
height 210 cm		
maximum projection 350 cm		
crank handle	✓	—
hard-wired motor	—	✓
radio-controlled motor io, 868 MHz	—	✓
radio-controlled motor RTS, 433 MHz	—	✓
cover	sunvas / sunsilk / transolair / vuscreen Alu ³⁾	

1) In the case of coupled awnings (2 fields) shadeplus is driven with 2 separate gear boxes/motor (outside left and right)

2) Only available in plain seamless fabrics (oversized, fabric width > 120 cm) or in plains with a horizontal joint (fabric width 120 cm)

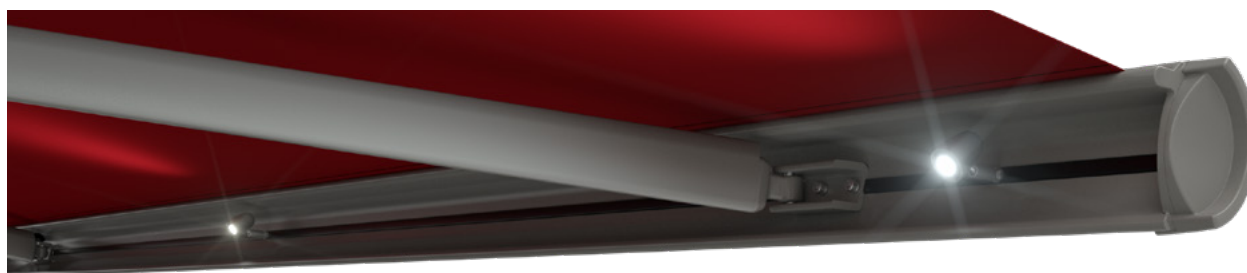
3) vuscreen Alu: maximum drop 170 cm

01	Optional accessories
02	drop valance, manual or motor operation
03	LED spotlights in projection profile
04	valance
05	storm safety clip for the cassette
06	wall sealing profile
07	infrared heater 2500 W
08	infrared heater 2500 W with integrated radio-controlled receiver 868 MHz io
09	automatic controls (light, wind, rain)

N.B! Important background information can be found in the chapter "Optional Accessories".

Fixture brackets	
face fixture bracket 180 mm, 5°–35°	74909.
face fixture bracket 180 mm, 36°–70°	74928.
spreader plate A 430 × 160 × 12 mm	75328.
spreader plate B 300 × 400 × 12 mm	75327.
markilux panel 250 × 230 × 49 mm	76308.
markilux panel durchgehend	76380.
stand-off bracket 80–300 mm	77970.
top fixture bracket 130 mm, 5°–35°	74903.
top fixture bracket 130 mm, 36°–70°	74905.
eaves fixture bracket 130 mm, 5°–35°, 150 mm plate	74944.
eaves fixture bracket 130 mm, 5°–35°, 270 mm plate	74970.
flat plate and angled bracket for eaves fixture, machine finish aluminium, 500 mm plate	741290
spreader plate 260 × 60 × 12 mm for eaves fixture bracket	75383.
angled profile for eaves fixture 160 × 160 × 12 mm, machine finish aluminium, undrilled, by the metre (max. 3 m)	701809

markilux LED spotlights



pivoting LED spotlights in a solid aluminium housing



infinitely variable light intensity



convenient radio operation with handheld remote control

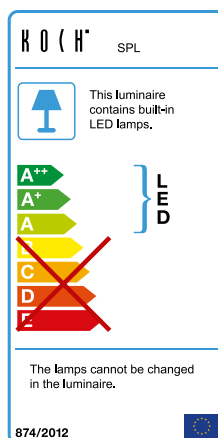


Technical specification

operating voltage	230 V, 50 Hz
power output of an LED spotlight	5 W
bulbs	LED (12 V)
number of transformers	1 units
light temperature	2700 K
IP protection class	IP 44
service life	approx. 20,000 h

Automatic controls

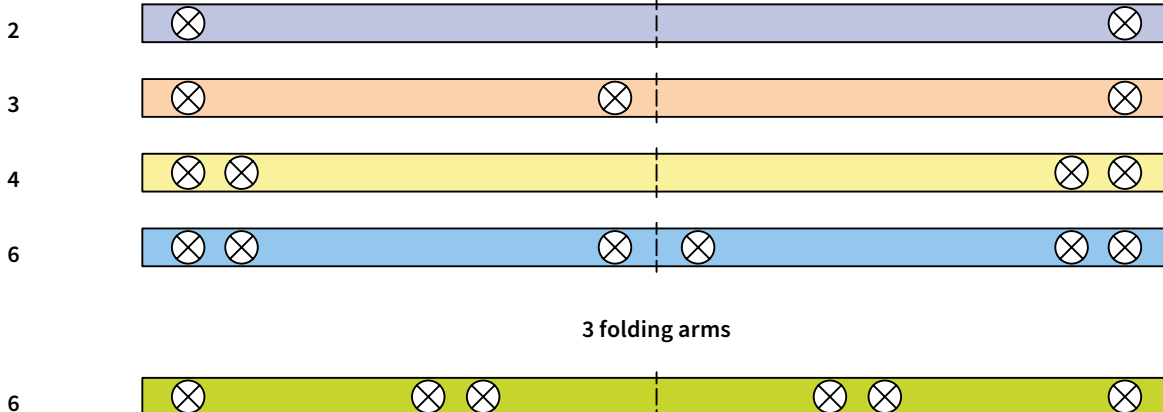
	standard	optional
on/off switch	—	✓
radio-controlled dimmer io 868 MHz	✓	—
radio-controlled dimmer RTS 433 MHz	—	✓



LED spotlight distribution in the front profile

Number of the LED spotlights

2 folding arms



Number and distribution of the LED spotlights in the front profile

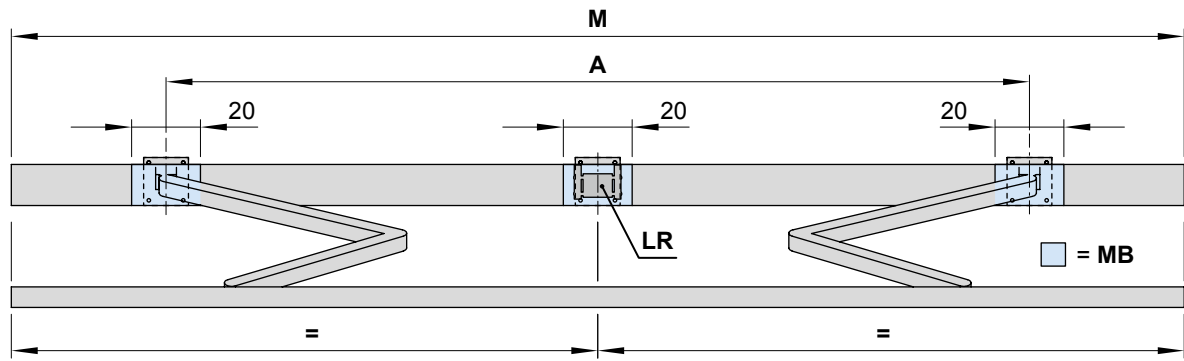
Overall awning width	Extension					
	150	200	250	300	350	400
238-250	2	—	—	—	—	—
251-277	—	—	—	—	—	—
278-287	3	—	—	—	—	—
288-300	3	2	—	—	—	—
301-317	—	—	—	—	—	—
318-337	3	3	—	—	—	—
338-387	3	3	2	—	—	—
388-400	3	3	2	2	—	—
401-437	3	3	3	2	—	—
438-450	3	3	3	2	2	—
451-457	6	6	—	—	—	—
458-500	6	6	6	6	4	—
501-507	—	—	—	—	—	—
508-517	6	6	6	6	6	—
518-550	6	6	6	6	6	4
551-557	—	—	—	—	—	—
558-562	6	6	6	6	6	—
563-600	6	6	6	6	6	6
601-650	6	6	6	6	—	—
651-657	6	6	6	—	—	—
658-687	6	6	6	6	—	—
688-700	6	6	6	6	6	—

dimensions in cm

01
02
03
04
05
06
07
08
09
10
11
12
13
14
15
16
17

Bracket fixture range

Awning with 2 folding arms



dimensions in cm

Overall awning width

	250	300	350	400	450	500	550	600	650
Order dimensions	205	251	301	351	401	451	501	551	601
	250	300	350	400	450	500	550	600	650

Arm position A

H	BHT	Arm position A										
		150	200	250	300	350	400	450	500	550	600	650
	18	184 ²⁾	210 ¹⁾	260	300	340	390	440	490	510		
	18	—	234 ²⁾	260 ¹⁾	300	340	390	440	490	510		
	18	—	—	284 ²⁾	300 ¹⁾	340	390	440	490	510		
	18	—	—	—	334 ²⁾	340 ¹⁾	390	440	490	510		
	18	—	—	—	—	384 ²⁾	390 ¹⁾	440	490	—		
	18	—	—	—	—	—	434 ²⁾	445 ¹⁾	490 ¹⁾	—		

No. of brackets | No. of fixing points

W	BHT	No. of brackets		No. of fixing points	
18	18	2	8	3	12
BP		A	2 16	B	2 8
DP		—		1	
PA		2 8		3 12	
DA / DE	13	2	8	2	6
				3	12
				3	9

dimensions in cm

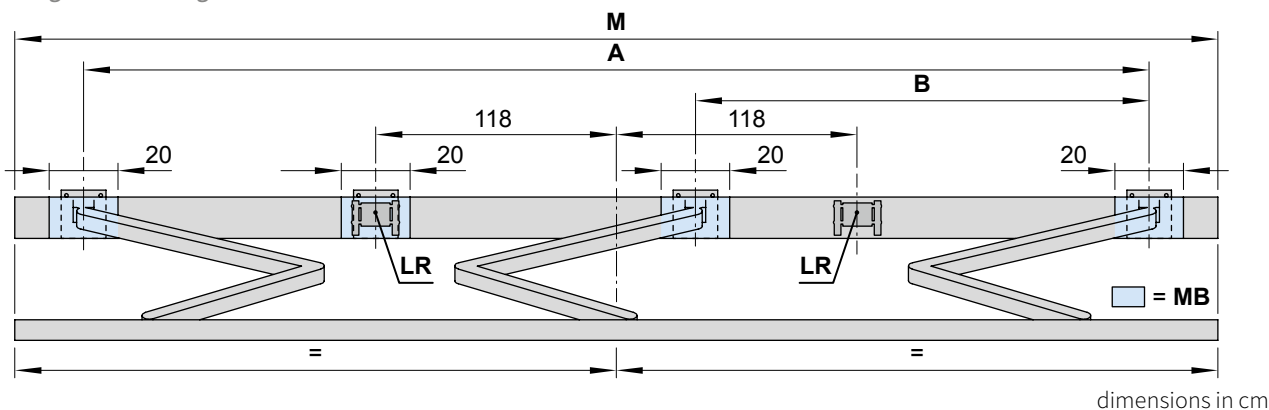
If the brackets cannot be positioned in accordance with this table, make sure the actual measurements are noted on the order form!

The **pull-out forces** necessary for determining the correct fixing materials necessary to meet wind resistance class 2 (Beaufort 5) can be found in the password-protected dealer area of the markilux.com website under "Pull-out Forces".

- 1) = coupled awning in intermediate widths available on request with junction roller
- 2) = please note the minimum widths! Dimension A is only valid for standard arms! Dimension **A** is 13 cm smaller in the case of bespoke arms. Coupled units are not available with junction roller.
- A** = arm position
- BHT** = bracket width
- BP** = spreader plate A or B, to be positioned behind the folding arm
- DA** = eaves fixture bracket
- DE** = top fixture bracket
- DP** = spacer plate 74989, to be positioned behind the rolltex bearing, in the case of spreader plate A or B
- H** = *order dimension* = extension
- LR** = rolltex bearing
- M** = *order dimension* = awning width
- MB** = bracket fixture range
- PA** = markilux panel, fixture profil, width 250 mm
- W** = face fixture bracket

Bracket fixture range

Awning with 3 folding arms



		Overall awning width			
		650		700	
Order dimensions		601 – 650		651 – 700	
		Arm position			
		A	B	A	B
H	150	—	—	600	265
	200	—	—	600	240
	250	—	—	600	230
	300	—	—	610	230
	350	613 ¹⁾	230 ¹⁾	626 ¹⁾ / 646 ^{1) 3)}	230
	400	—	—	665 ²⁾	230 ²⁾
BHT		No. of brackets No. of fixing points			
W	18	4 16			
BP		A 3 24 B 3 12			
DP		1			
PA		4 16			
DA / DE	13	4 16 4 12			

dimensions in cm

If the brackets cannot be positioned in accordance with this table, make sure the actual measurements are noted on the order form!

The **pull-out forces** necessary for determining the correct fixing materials necessary to meet wind resistance class 2 (Beaufort 5) can be found in the password-protected dealer area of the markilux.com website under “Pull-out Forces”.

- 1) = coupled awnings not available with junction roller
- 2) = please note the minimum widths!
Not available as coupled awnings
- 3) = dimension at awning with LED spotlights

A, B = arm position

BHT = bracket width

BP = spreader plate A or B, to be positioned behind the folding arm

DA = eaves fixture bracket

DE = top fixture bracket

DP = spacer plate 74989, to be positioned behind the rolltex bearing, in the case of spreader plate A or B

H = *order dimension* = extension

LR = rolltex bearing

M = *order dimension* = awning width

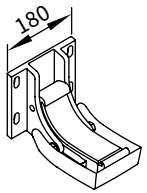
MB = bracket fixture range

PA = markilux panel, fixture profil, width 250 mm

W = face fixture bracket

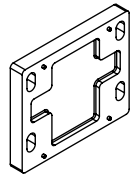
Face fixture

Fixtures, fittings and accessories



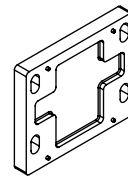
face fixture bracket
180 mm
5°-35°

74909.



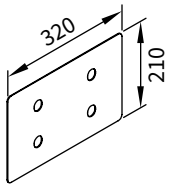
spacer plate for face fixture
180 × 150 × 20 mm
N.B!
stack to a max. height of 200 mm

749881



spacer plate for face fixture
180 × 150 × 12 mm

74989.



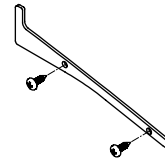
cover plate for spacer plate and stand-off brackets in the case of external insulation
320 × 210 × 2 mm

71842.



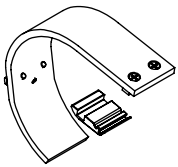
Wall sealing profile incl. brush seal when installing with a coverboard
available by the metre

76385. and 704241



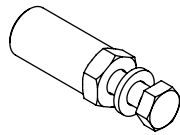
1 side plate including 2 pan-head self-tapping screws for wall sealing profile

76386. and 2 × 735611



storm safety clip 6000
N.B! recommendation for windy areas

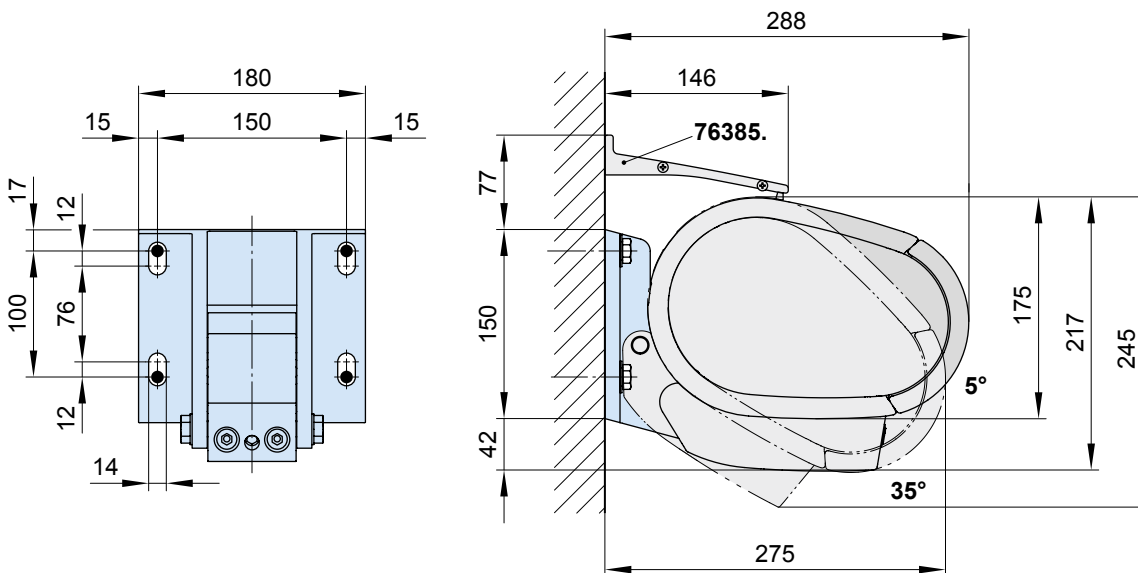
79504.



bolt reduction assembly
pack 10 pcs

M 16 → M 12 | M 16 → M 10 | M 12 → M 10 | M 10 → M 10

Face fixture, pitch 5°-35°

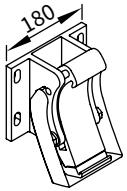


76385. = wall sealing profile (standard width = awning width (M); up to a maximum awning pitch of 70°)

dimensions in mm

Face fixture

Fixtures, fittings and accessories

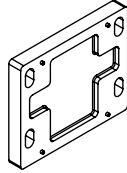


face fixture bracket

180 mm

36°-70°

74928.

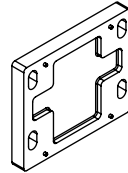


spacer plate for face fixture

180 × 150 × 20 mm

N.B!
stack to a max. height of 200 mm

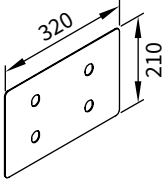
749881



spacer plate for face fixture

180 × 150 × 12 mm

74989.



cover plate for spacer plate and stand-off brackets in the case of external insulation

320 × 210 × 2 mm

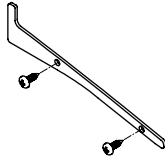
71842.



Wall sealing profile incl. brush seal when installing with a coverboard

available by the metre

76385. and 704241



1 side plate including 2 pan-head self-tapping screws for wall sealing profile

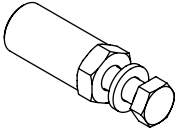
76386. and 2 × 735611



storm safety clip 6000

N.B! recommendation for windy areas

79504.

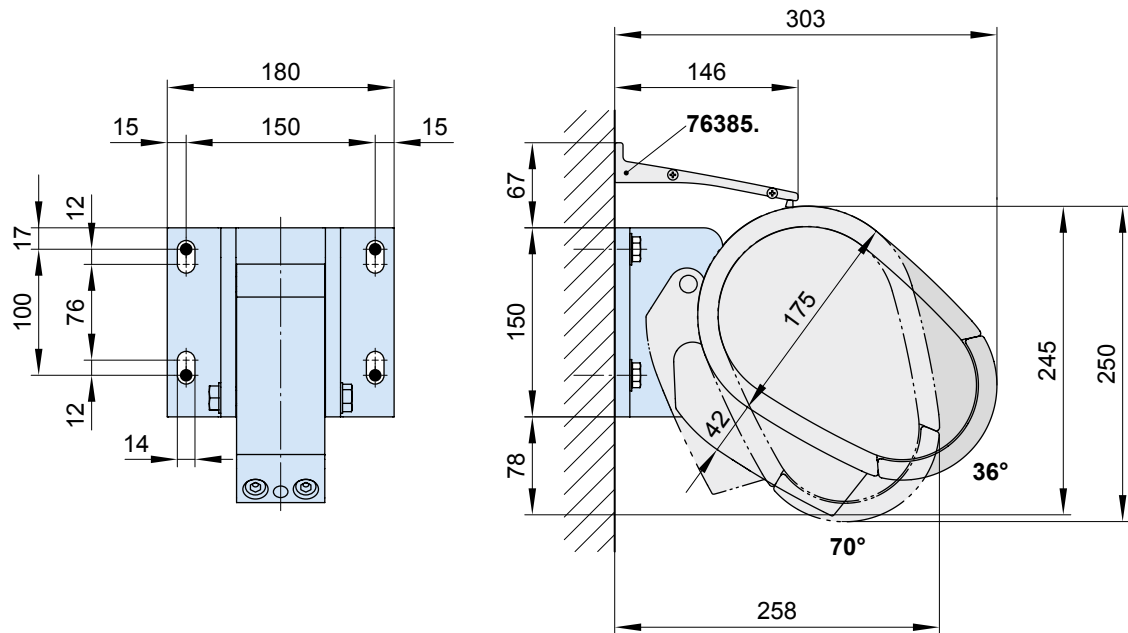


bolt reduction assembly

pack 10 pcs

M 16 → M 12 | M 16 → M 10 | M 12 → M 10 | M 10 → M 10

Face fixture, pitch 36°-70°



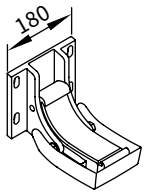
76385. = wall sealing profile (standard width = awning width (M); up to a maximum awning pitch of 70°)

dimensions in mm

01
02
03
04
05
06
07
08
09
10
11
12
13
14
15
16
17

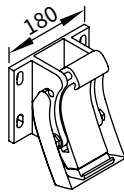
Face fixture with spreader plate A

Fixtures, fittings and accessories



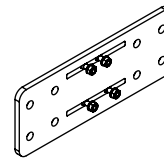
face fixture bracket
180 mm
5°-35°

74909.



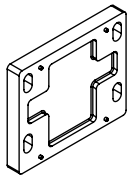
face fixture bracket
180 mm
36°-70°

74928.



spreader plate A
430 x 160 x 12 mm

75328.



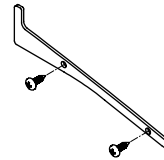
spacer plate for face fixture
180 x 150 x 12 mm

74989.



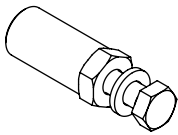
Wall sealing profile
incl. brush seal
when installing with a
coverboard
available by the metre

76385. and 704241



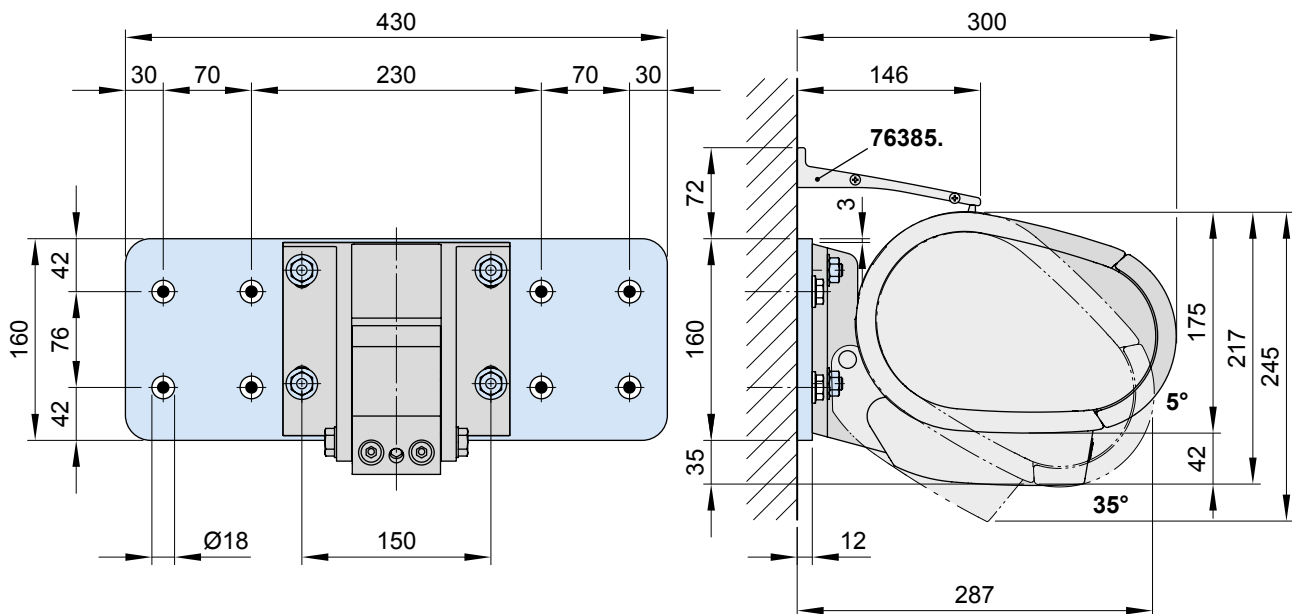
1 side plate including
2 pan-head self-tapping
screws for wall sealing
profile

76386. and 2 x 735611



bolt reduction assembly
pack 10 pcs

M 16 → M 12 | M 16 → M 10 | M 12 → M 10 | M 10 → M 10

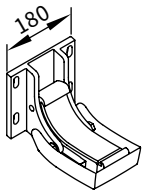


76385. = wall sealing profile (standard width = awning width (M); up to a maximum awning pitch of 70°)

dimensions in mm

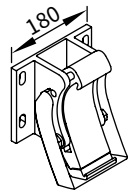
Face fixture with spreader plate B

Fixtures, fittings and accessories



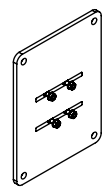
face fixture bracket
180 mm
5°-35°

74909.



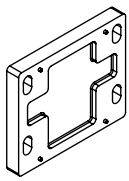
face fixture bracket
180 mm
36°-70°

74928.



spreader plate B
300 × 400 × 12 mm

75327.



spacer plate for face fixture
180 × 150 × 12 mm

74989.



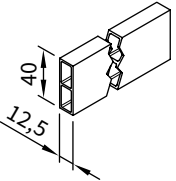
Wall sealing profile
incl. brush seal
when installing with a
coverboard
available by the metre

76385. and 704241



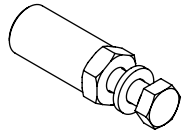
1 side plate including
2 pan-head self-tapping
screws for wall sealing
profile

76386. and 2 × 735611



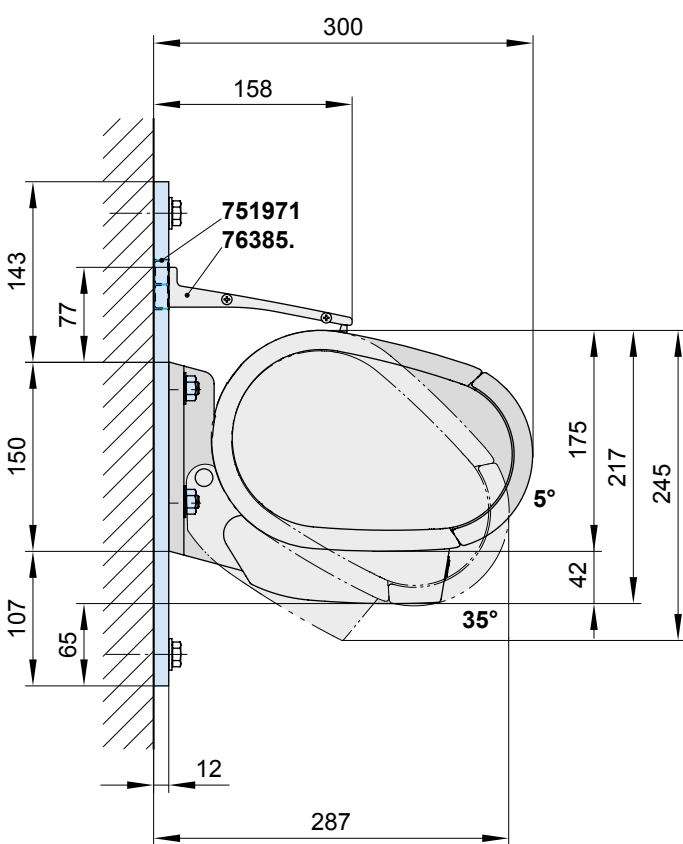
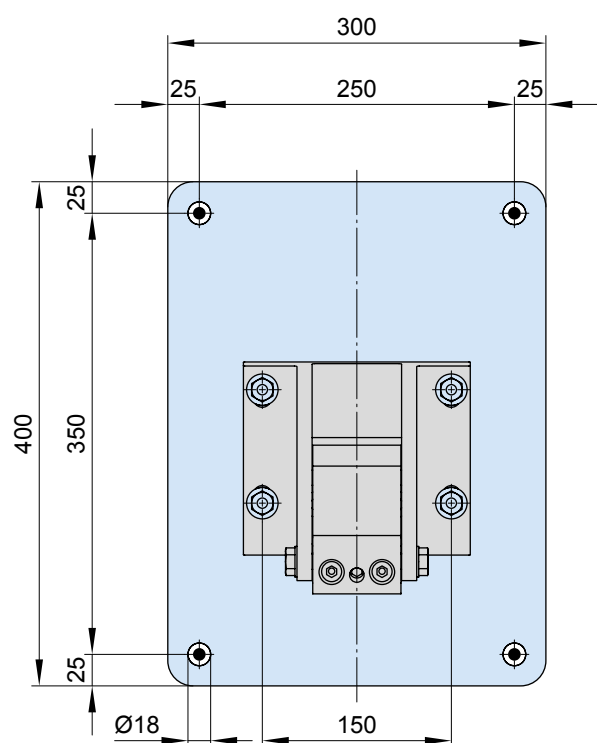
stand-off strip for wall
sealing profile
available by the metre

751971



bolt reduction assembly
pack 10 pcs

M 16 → M 12 | M 16 → M 10 | M 12 → M 10 | M 10 → M 10



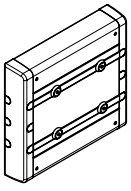
76385. = wall sealing profile (standard width = awning width (M); up to a maximum awning pitch of 70°)
751971 = stand-off strip for wall sealing profile

dimensions in mm

01
02
03
04
05
06
07
08
09
10
11
12
13
14
15
16
17

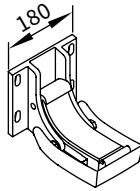
01 **Face fixture with markilux panel 250 mm**

02 Fixtures, fittings and accessories



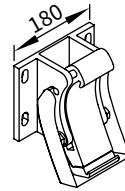
markilux panel 250 mm
Befestigungsschiene
mit Abdeckungen und
Seitenkappen
250 × 230 × 49 mm

05 **76308.**



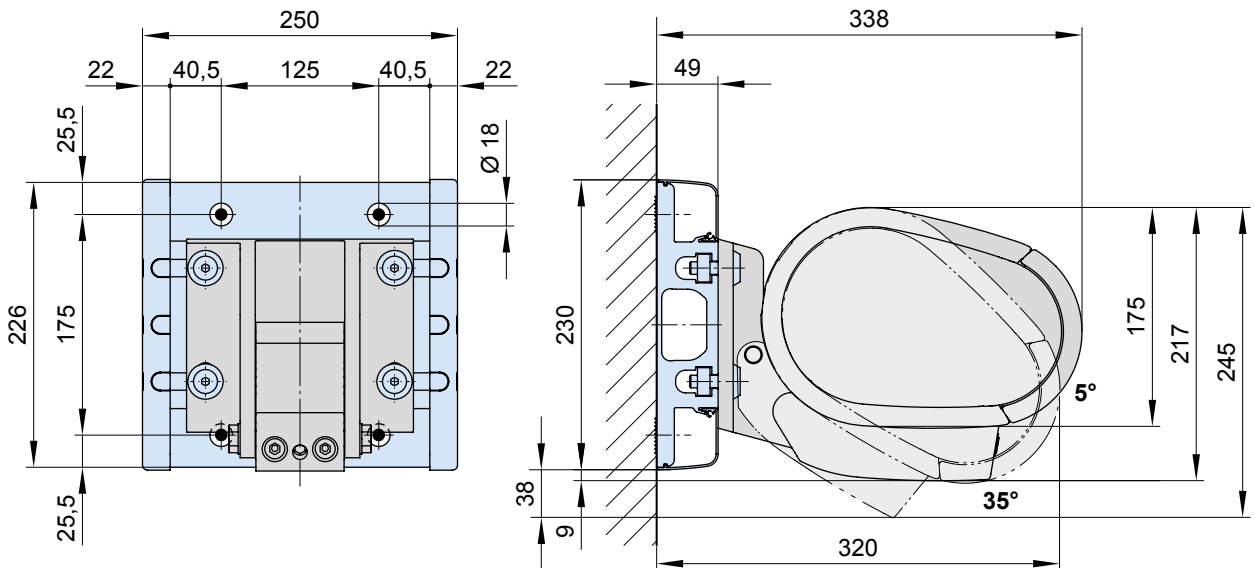
face fixture bracket
180 mm
5°–35°

74909.



face fixture bracket
180 mm
36°–70°

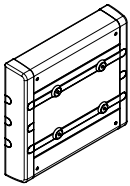
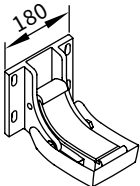
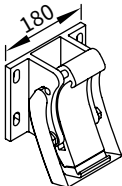
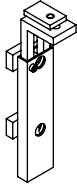
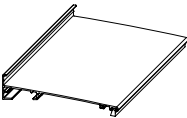
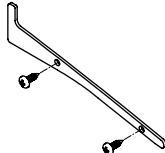
74928.



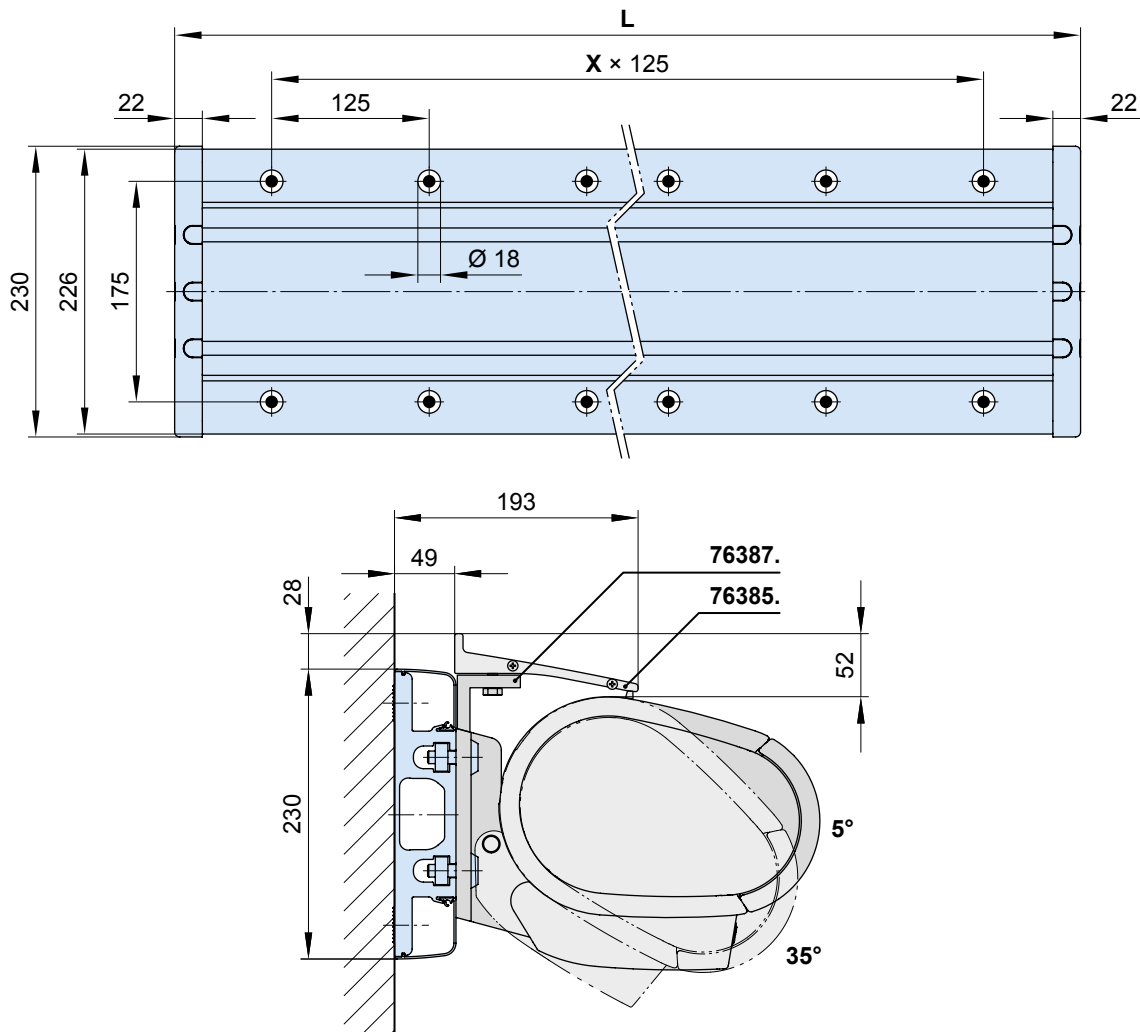
dimensions in mm

Face fixture with markilux panel continuous

Fixtures, fittings and accessories

 <p>markilux panel 250 mm fixture profile with decorative profiles and end caps continuous</p> <p>76308.</p>	 <p>face fixture bracket 180 mm 5°–35°</p> <p>74909.</p>	 <p>face fixture bracket 180 mm 36°–70°</p> <p>74928.</p>
 <p>Bracket wall sealing profile</p> <p>76387.</p>	 <p>Wall sealing profile incl. brush seal when installing with a coverboard available by the metre</p> <p>76385. and 704241</p>	 <p>1 side plate including 2 pan-head self-tapping screws for wall sealing profile</p> <p>76386. and 2 × 735611</p>

As a **continuous fixture profile**, the markilux panel will always be supplied to order on the basis of a technical drawing prepared in the factory in accordance with the awning specification.



76385. = wall sealing profile (standard width = awning width (M); up to a maximum awning pitch of 70°)

76387. = bracket wall sealing profile

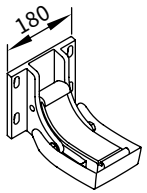
L = individual width, max. 7000 mm

X = fixing point separation, **by way of example**

dimensions in mm

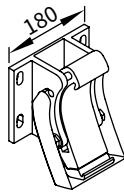
Face fixture with stand-off bracket

Fixtures, fittings and accessories



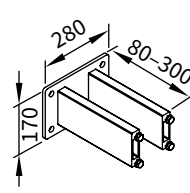
face fixture bracket
180 mm
5°-35°

74909.



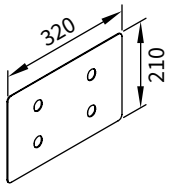
face fixture bracket
180 mm
36°-70°

74928.



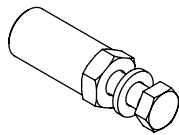
stand-off bracket
for face-fixture bracket
74909. and 74928.

77970.



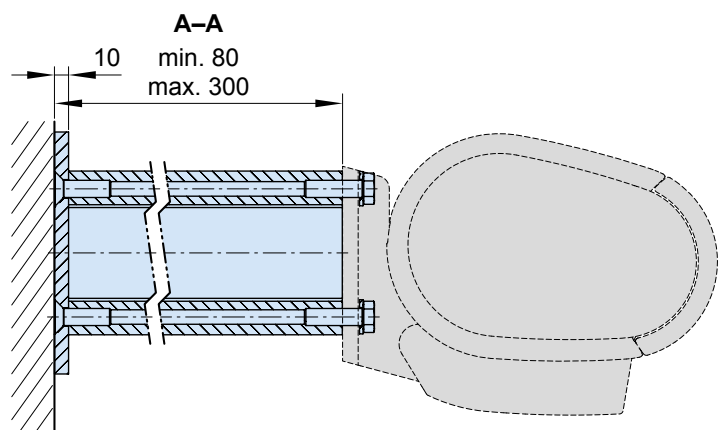
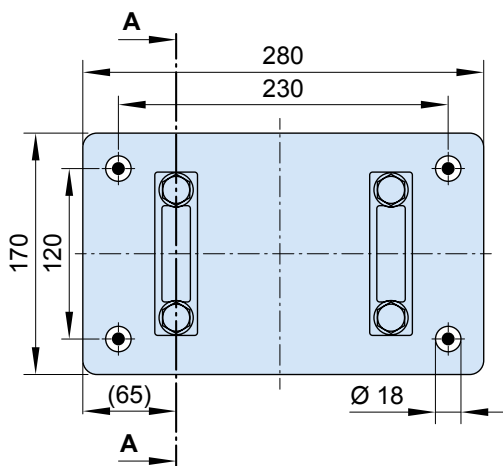
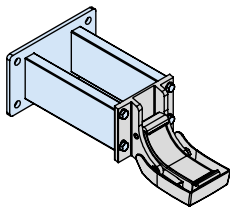
cover plate
for spacer plate
and stand-off brackets
in the case of external
insulation
320 x 210 x 2 mm

71842.



bolt reduction assembly
pack 10 pcs

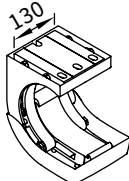
M 16 → M 12 | M 16 → M 10 | M 12 → M 10 | M 10 → M 10



dimensions in mm

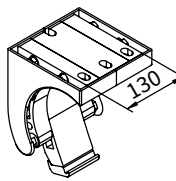
Top fixture

Fixtures, fittings and accessories



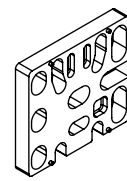
top fixture bracket
130 mm
5°-35°

74903.



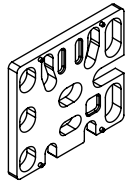
top fixture bracket
130 mm
36°-70°

74905.



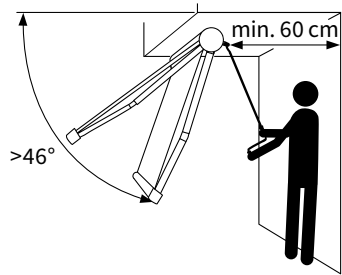
spacer plate for top fixture
150 × 136 × 20 mm
N.B!
stack to a max. height of 200 mm

716331



spacer plate for top fixture
150 × 138 × 12 mm

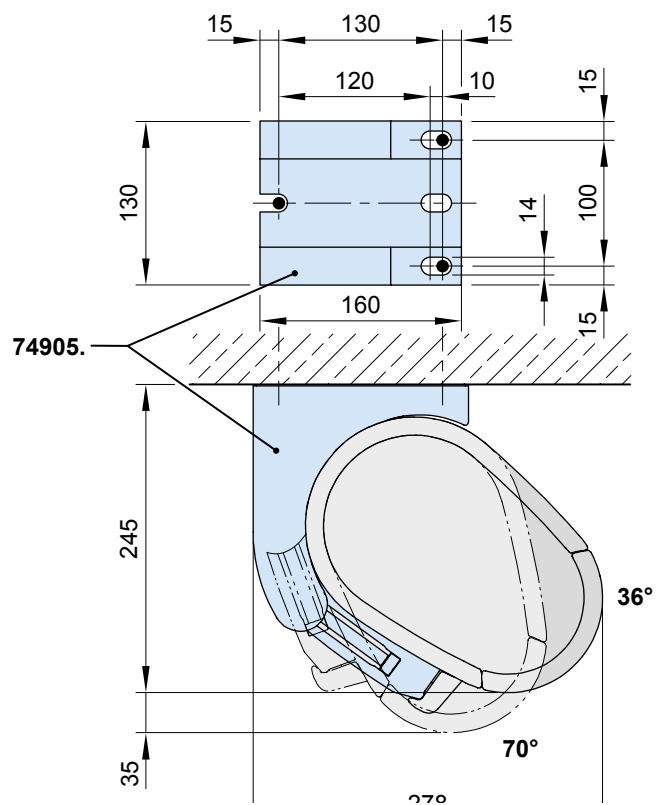
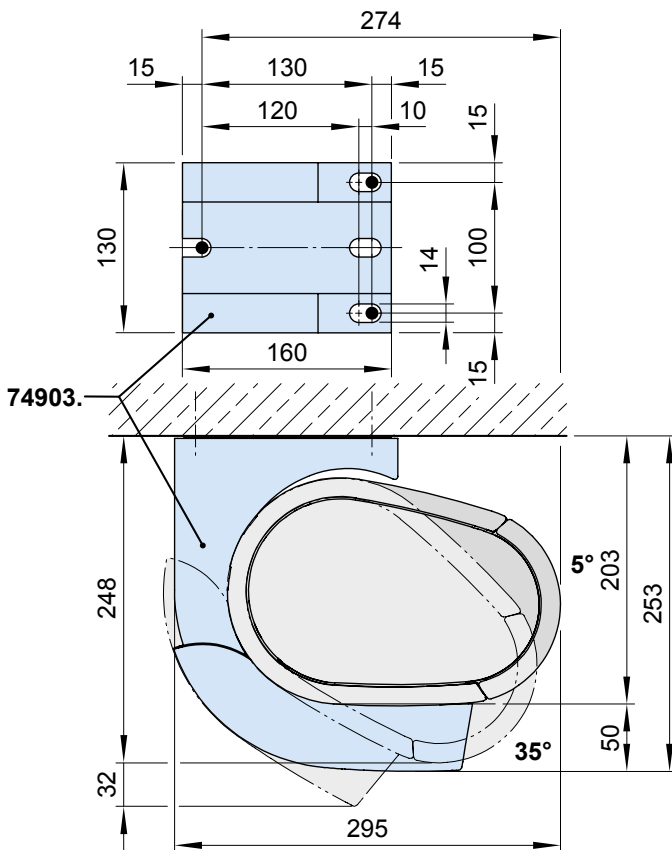
71644.



At a pitch of more than 46° to the horizontal there must be an area accessible behind the awning at least 60 cm deep to allow operation with RTS motor with manual override.

Top fixture, motor operation, pitch 5°-35°

Top fixture, motor operation, pitch 36°-70°

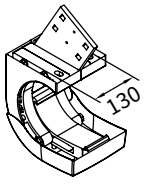


dimensions in mm

01
02
03
04
05
06
07
08
09
10
11
12
13
14
15
16
17

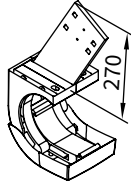
01 **Eaves fixture**

02 **Fixtures, fittings and accessories**



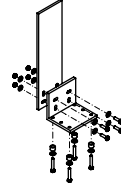
eaves fixture bracket
150 mm
5°-35°

74944.



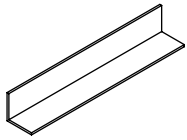
eaves fixture bracket
270 mm
5°-35°

74970.



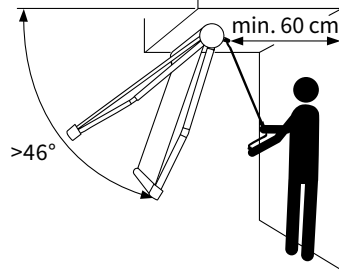
flat plate and angled
bracket for
eaves fixture
machine finish

741290



angled profile
eaves fixture bracket
160 × 160 × 12 mm
available by the metre
not pre-drilled

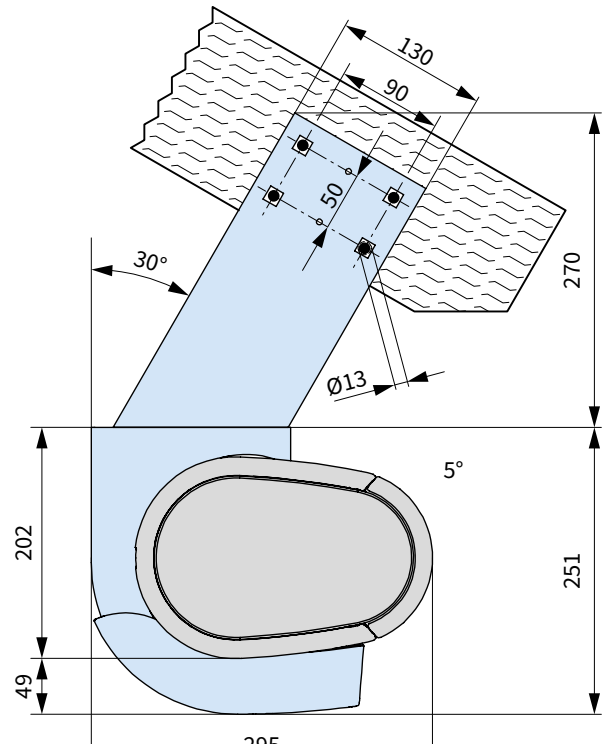
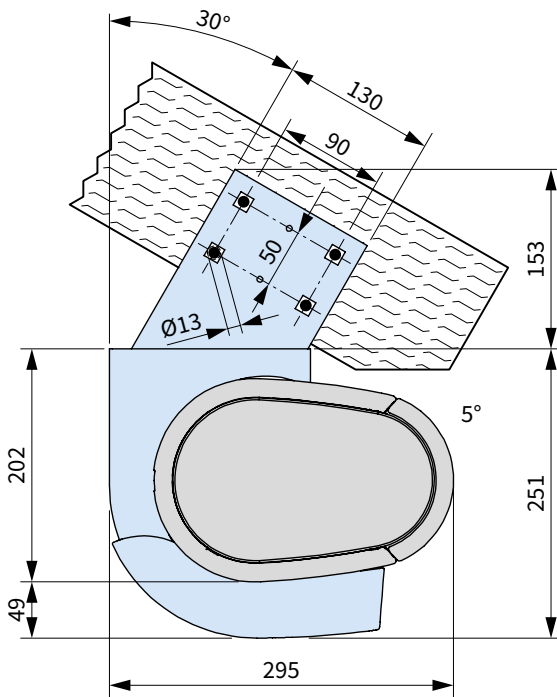
701809



At a pitch of more than 46° to the horizontal there must be an area accessible behind the awning at least 60 cm deep to allow operation with RTS motor with manual override.

With eaves fixture bracket, 150 mm plate (74944.)

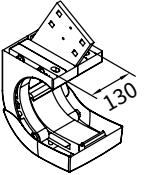
With eaves fixture bracket, 270 mm plate (74970.)



dimensions in mm

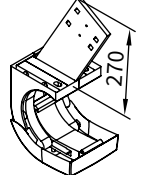
Eaves fixture with additional plate

Fixtures, fittings and accessories



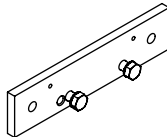
eaves fixture bracket
150 mm
5°-35°

74944.



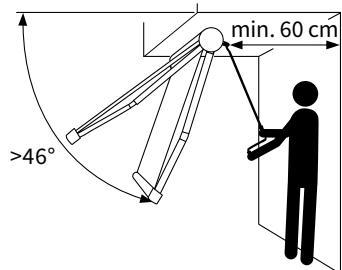
eaves fixture bracket
270 mm
5°-35°

74970.



supplementary flat plate
Eaves fixture
260 × 60 × 12 mm

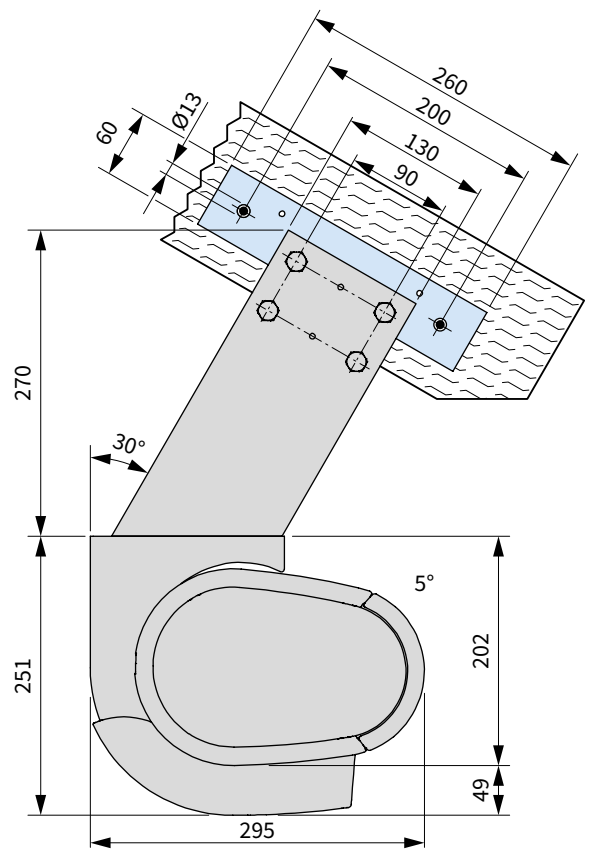
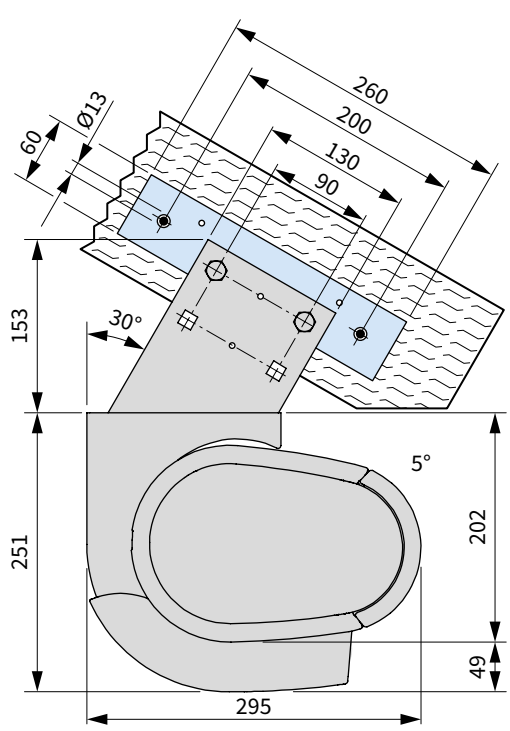
75383.



At a pitch of more than 46° to the horizontal there must be an area accessible behind the awning at least 60 cm deep to allow operation with RTS motor with manual override.

With eaves fixture bracket 150 mm (74944.)

With eaves fixture bracket 270 mm (74970.)

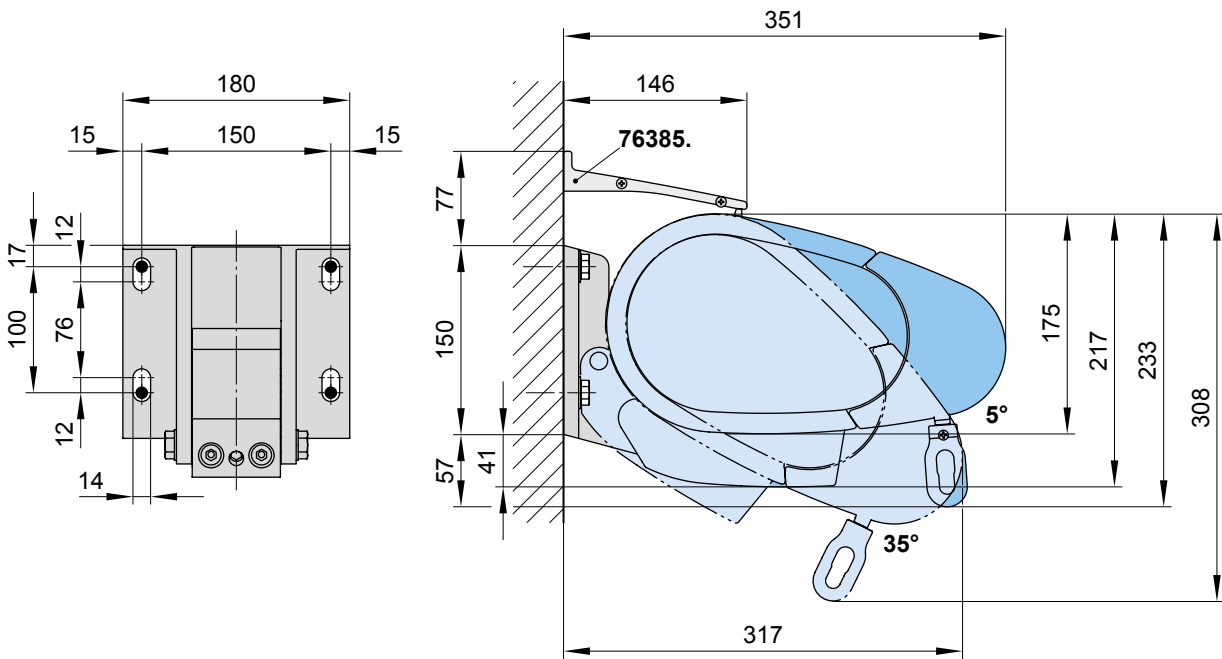


dimensions in mm

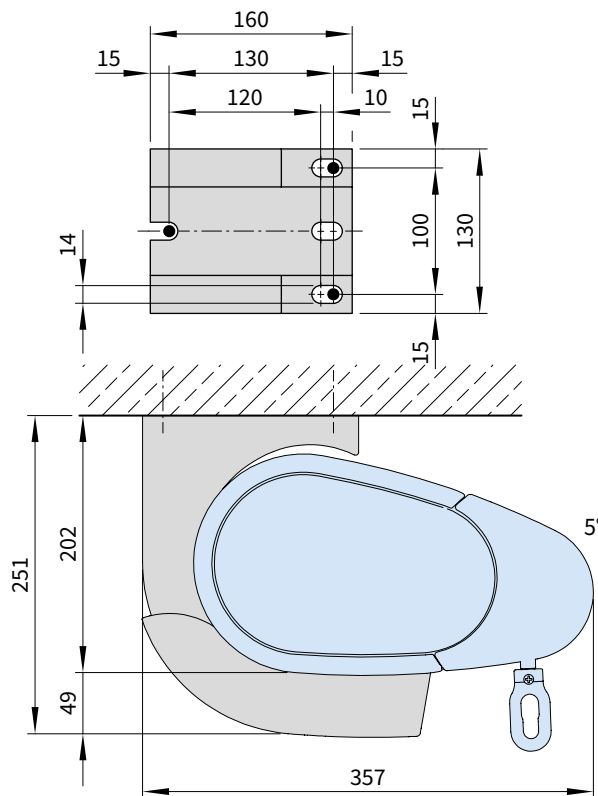
01
02
03
04
05
06
07
08
09
10
11
12
13
14
15
16
17

Awning with shadeplus

Face fixture



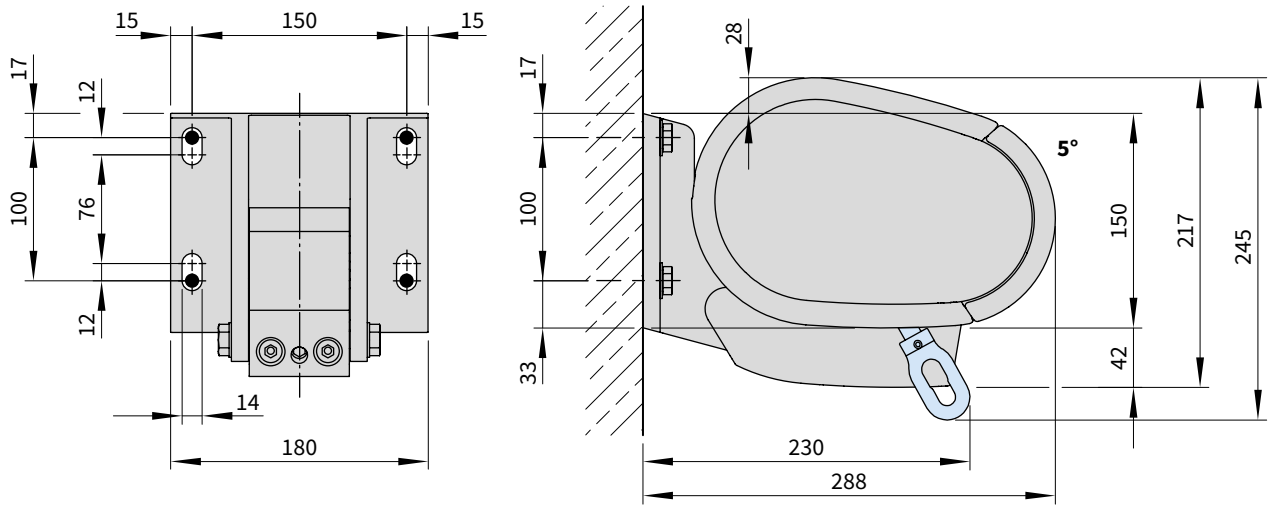
Top fixture



76385. = wall sealing profile (standard width = awning width (M); up to a maximum awning pitch of 70°)

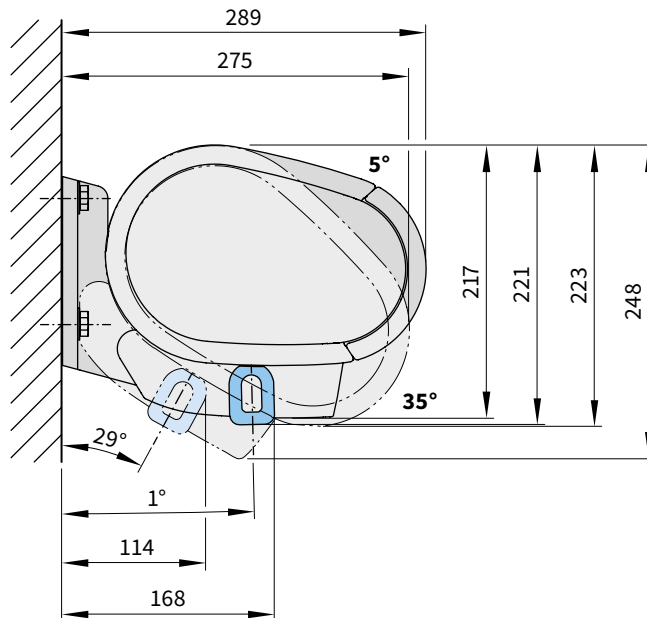
dimensions in mm

Face fixture, manual operation



- 01
- 02
- 03
- 04
- 05**
- 06
- 07
- 08
- 09
- 10
- 11
- 12
- 13
- 14
- 15
- 16
- 17

Face fixture, radio-controlled motor with manual override



N.B! When face fixing a markilux 6000 with radio-controlled motor 433 MHz and manual override the maximum awning pitch is 35°.

dimensions in mm

01 Cable exit point in the case of motor-driven units

02

03

04

05

06

07

08

09

10

11

12

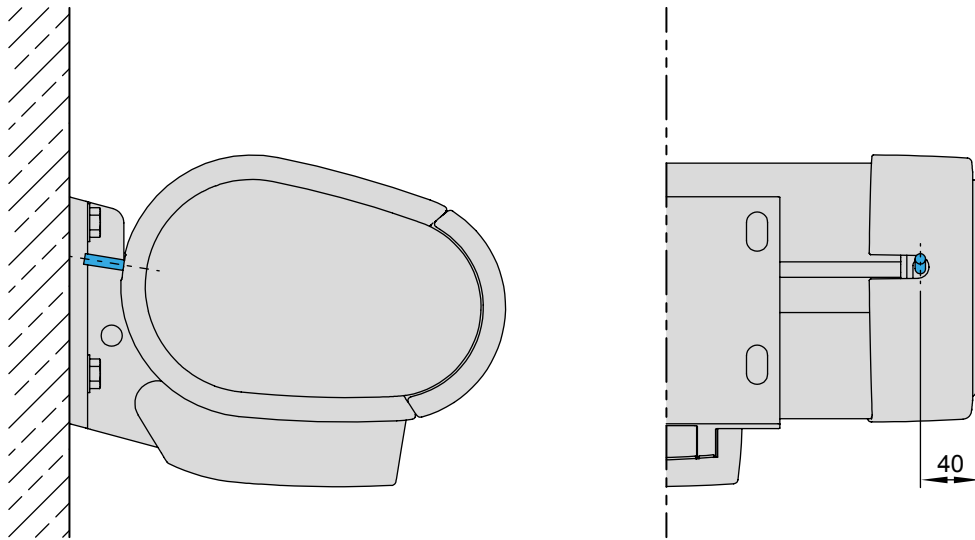
13

14

15

16

17



dimensions in mm