

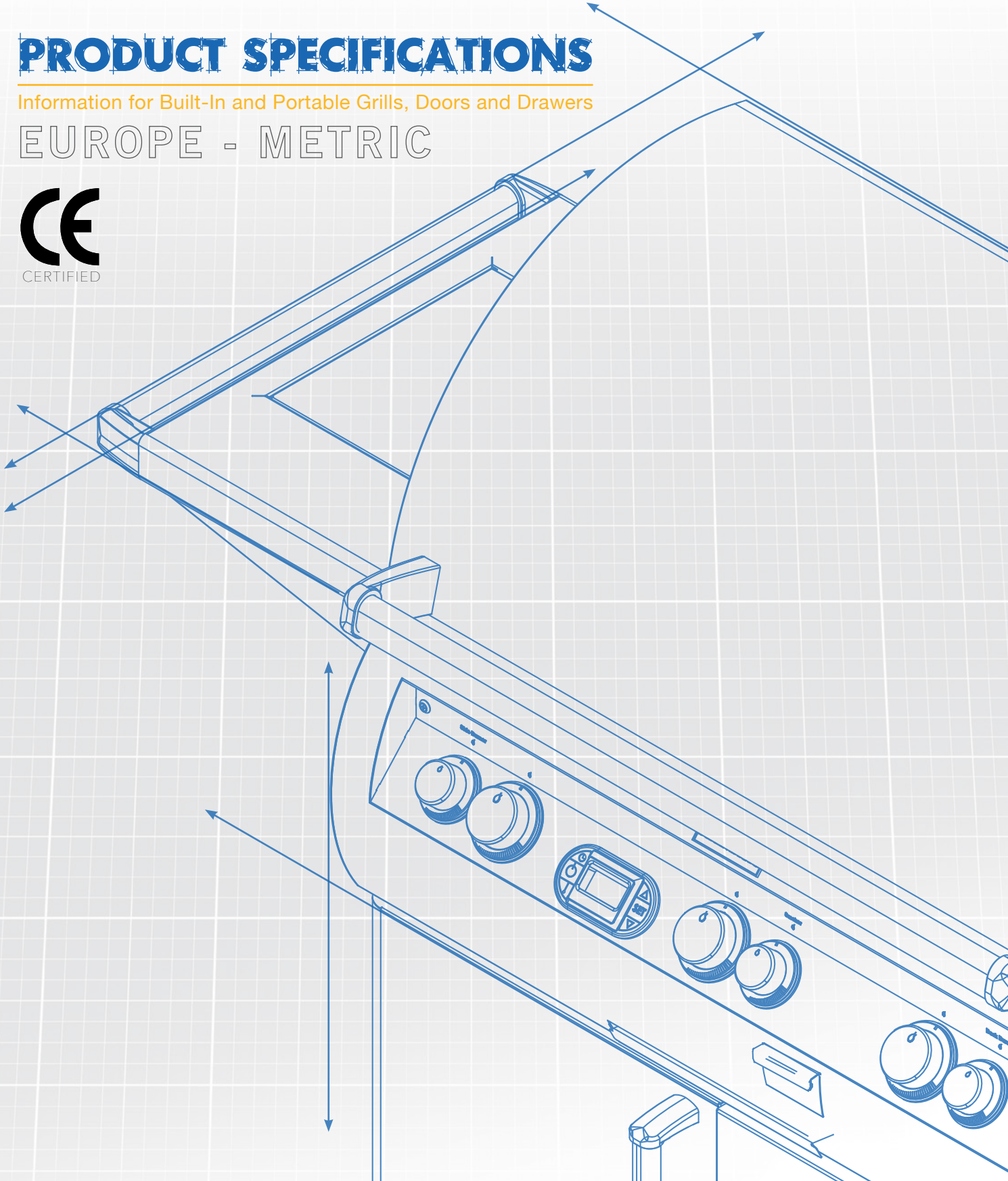


BUILT WITH PASSION.
OWNED WITH PRIDE.

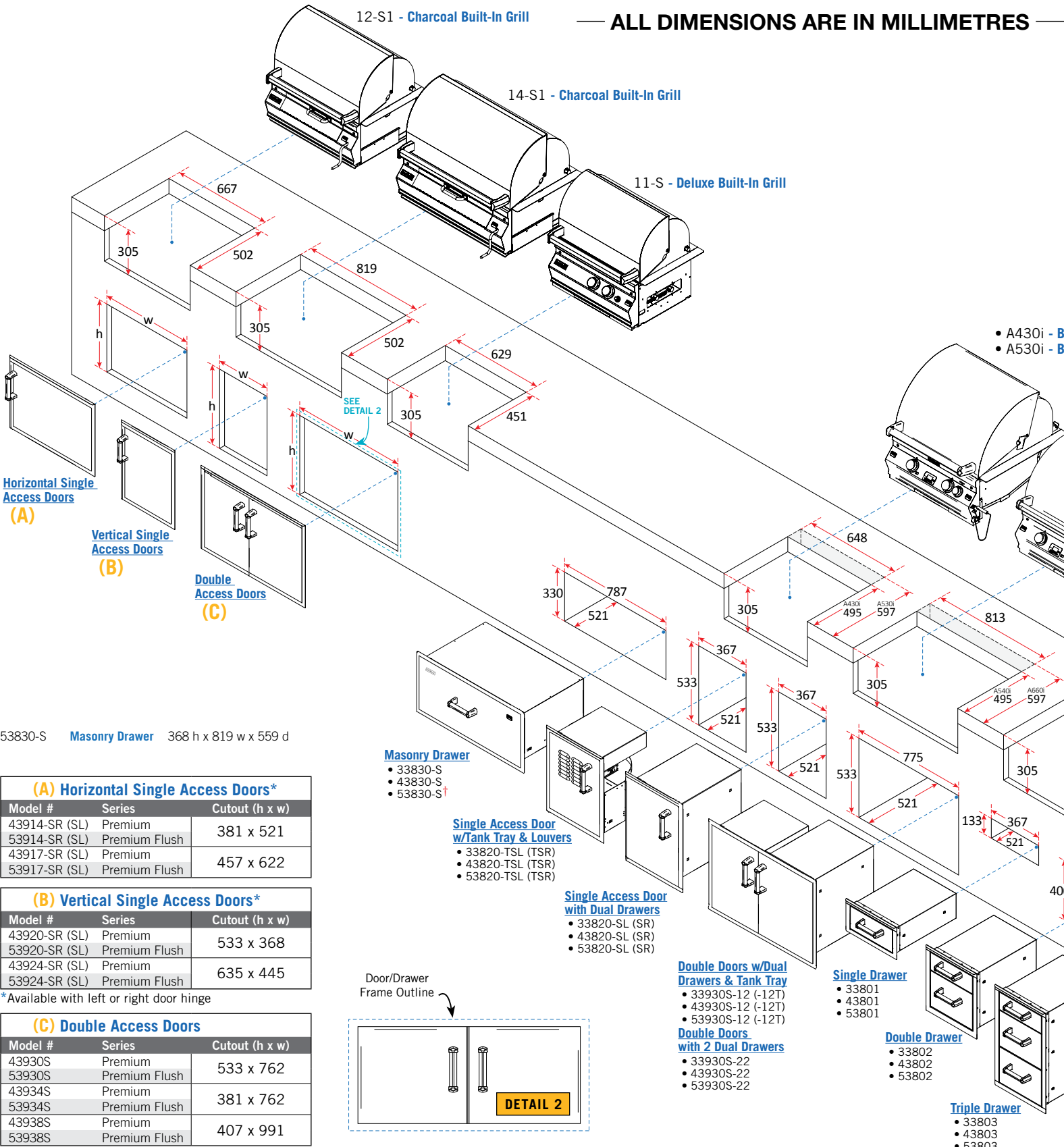
PRODUCT SPECIFICATIONS

Information for Built-In and Portable Grills, Doors and Drawers

EUROPE - METRIC



— ALL DIMENSIONS ARE IN MILLIMETRES —



† 53830-S **Masonry Drawer** 368 h x 819 w x 559 d

(A) Horizontal Single Access Doors*

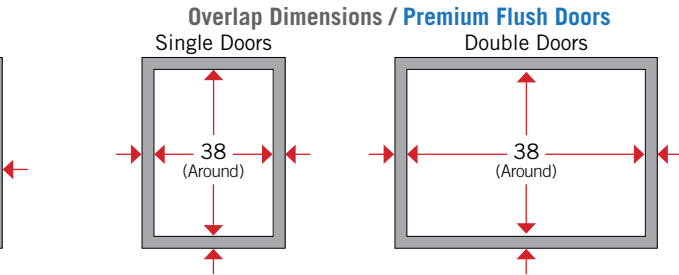
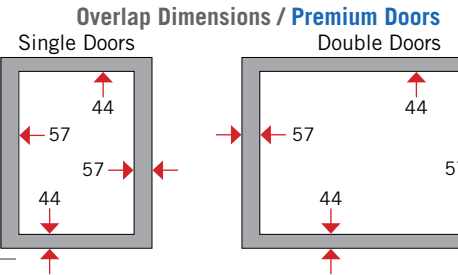
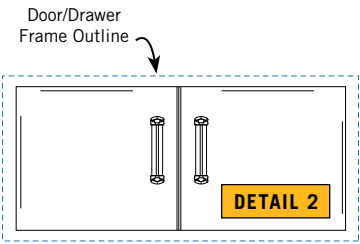
| Model # | Series | Cutout (h x w) |
|---------------|---------------|----------------|
| 43914-SR (SL) | Premium | 381 x 521 |
| 53914-SR (SL) | Premium Flush | 381 x 521 |
| 43917-SR (SL) | Premium | 457 x 622 |
| 53917-SR (SL) | Premium Flush | 457 x 622 |

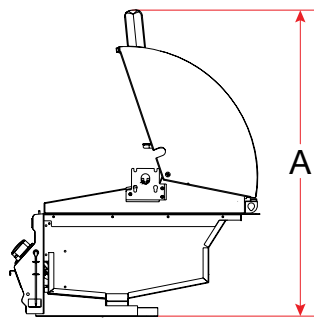
(B) Vertical Single Access Doors*

| Model # | Series | Cutout (h x w) |
|---------------|---------------|----------------|
| 43920-SR (SL) | Premium | 533 x 368 |
| 53920-SR (SL) | Premium Flush | 533 x 368 |
| 43924-SR (SL) | Premium | 635 x 445 |
| 53924-SR (SL) | Premium Flush | 635 x 445 |

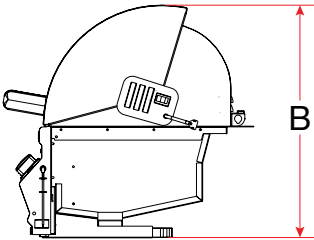
(C) Double Access Doors

| Model # | Series | Cutout (h x w) |
|---------|---------------|----------------|
| 43930S | Premium | 533 x 762 |
| 53930S | Premium Flush | 533 x 762 |
| 43934S | Premium | 381 x 762 |
| 53934S | Premium Flush | 381 x 762 |
| 43938S | Premium | 407 x 991 |
| 53938S | Premium Flush | 407 x 991 |





A

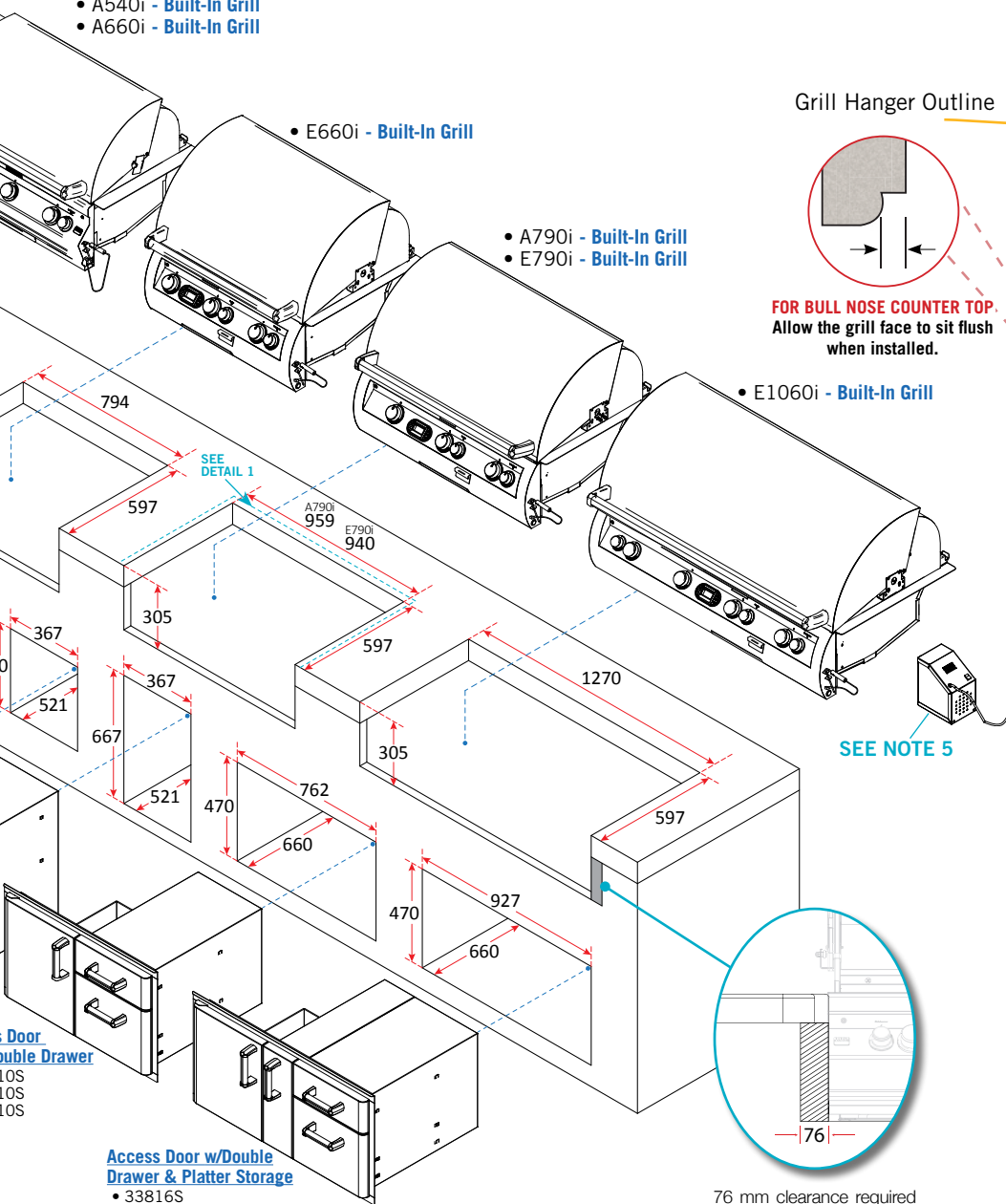


B

| Description | Hood Open | Hood Closed |
|------------------------|-----------|-------------|
| | (A) | (B) |
| Echelon E1060i | 905 | 686 |
| Echelon E790i | 905 | 686 |
| Echelon E660i | 905 | 686 |
| Aurora A830i | 819 | 641 |
| Aurora 790i | 905 | 686 |
| Aurora A660i | 905 | 686 |
| Aurora A540i | 819 | 641 |
| Aurora A530i | 905 | 686 |
| Aurora A430i | 819 | 641 |
| Deluxe 11-S | 756 | 638 |
| Gourmet Charcoal 14-S1 | 806 | 673 |
| Gourmet Charcoal 12-S1 | 806 | 673 |

Built-In Grill
Built-In Grill

- A540i - Built-In Grill
- A660i - Built-In Grill



Door Double Drawer

LOS
LOS
LOS

Access Door w/Double Drawer & Platter Storage

- 33816S
- 43816S
- 53816S

76 mm clearance required (on both sides) for access to battery compartment when using material that extends out from island surface.

OUTDOOR KITCHEN CONSIDERATIONS

- Carefully consider grill size & accessories needed
- Combustible construction requires insulating liner
- Select Natural or Propane (LP gas)
- Determine total gas consumption for supply line size
- Access is required to gas connections and shut off valve
- Plan location of propane tank away from grill and appliances
- Always refer to the installation and operating instructions of your Fire Magic® grill and/or accessories for installation guidelines & safety warnings before starting your project
- Always check all gas connections for leaks
- Provide ventilation in island for gas vapors. Allow at least four ventilation openings (two at floor level and two 406 mm above floor 6452 mm² each) at opposing ends/sides

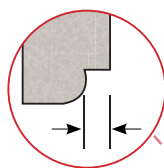
LOCATION

- Identify outdoor area where grill will be installed
 - Determine the utilities needed (gas, water, electricity, drainage etc.)
 - Consider element exposure (sun, wind direction*, weather etc.)
- * Wind blowing into or across the rear oven lid vent can cause poor performance and/or dangerous overheating. Orient the grill so that the prevailing wind blows toward the front of the grill.

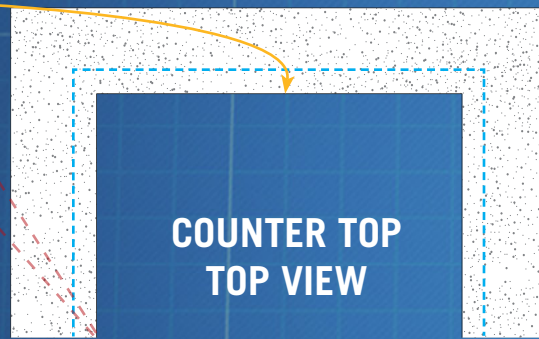
MATERIALS

- Foundation - concrete
- Base- brick, stone, stucco, concrete
- Counter top- tile, granite, marble, concrete

Grill Hanger Outline



FOR BULL NOSE COUNTER TOP
Allow the grill face to sit flush when installed.



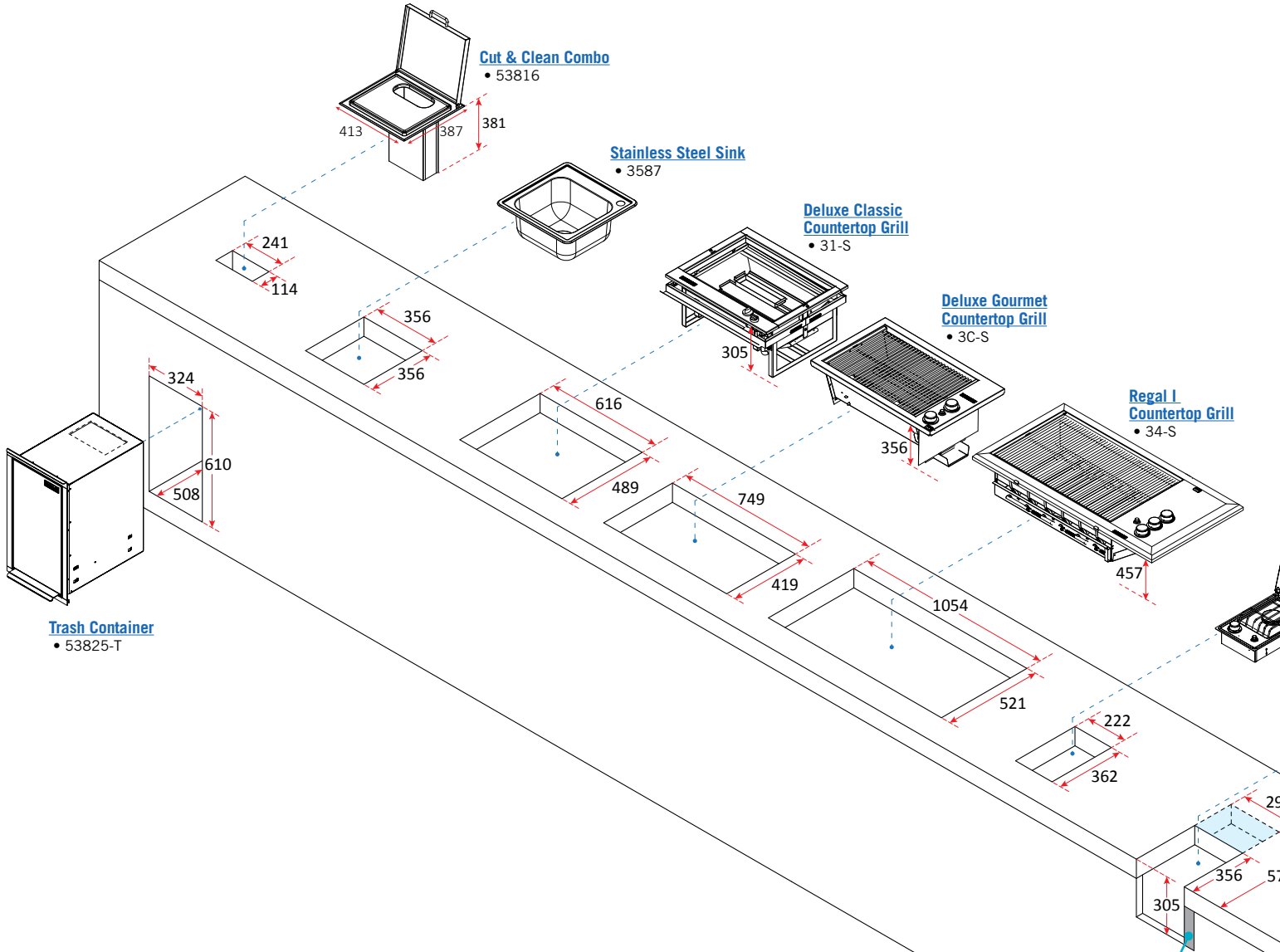
DETAIL 1

Grill hanger varies in width (64 mm-76 mm) depending on the size & configuration of the grill.

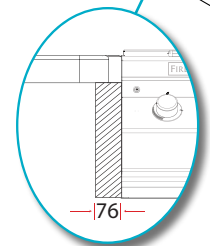
Notes

1. There is a hanger on three sides of each grill. You must allow clearance for the hanger (SEE DETAIL 1).
2. The control panel (face) of the grills is wider than the cutout width. This conceals the cutout space on the left & right hand sides.
3. Clearance of 254 mm on each side of the oven is recommended for unrestricted operation of lid and rotisserie and at least 76 mm at the rear flange for ease of maintenance and proper operation. (457 mm from combustible surroundings on each side and rear is required)
4. Insulating liners must be used & are available for combustible surrounds (See page 6).
5. The rotisserie motor on all models is located on the right side of the grill. Optional Reverse Brackets are available to mount rotisserie motor on opposite side. ONLY units ordered with back burner option come with rotisserie kit and brackets.

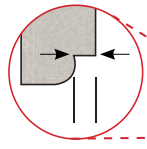
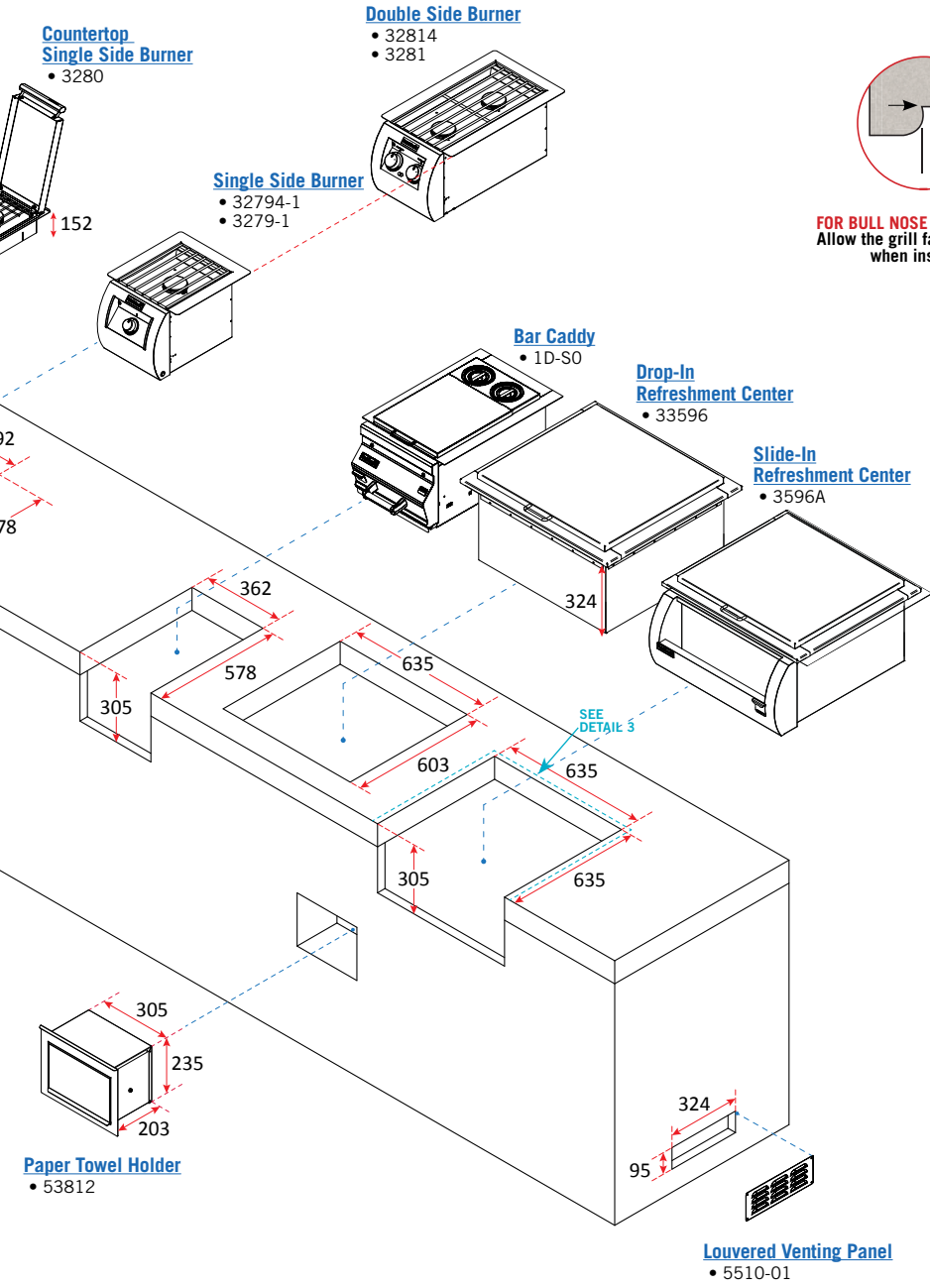
— ALL DIMENSIONS ARE IN MILLIMETRES —



| CLASSIC CHARCOAL BUILT-IN GRILLS | | | | |
|----------------------------------|----------------------------|------------------|-------|--------|
| Model # | Description | Opening Required | | |
| | | Width | Depth | Height |
| 3334 | Lift-A-Fire Charcoal Grill | 820 | 502 | 305 |
| 3339 | Lift-A-Fire Charcoal Grill | 629 | 451 | 305 |
| 3324 | Firemaster 3324 Grill | 794 | 540 | 305 |
| 3329 | Firemaster 3329 Grill | 616 | 489 | 305 |



76 mm clearance required (on both sides) for access to battery compartment when using material that extends out from island surface.

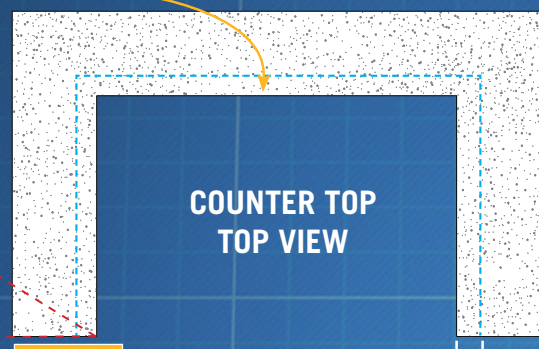


FOR BULL NOSE COUNTERTOP
Allow the grill face to sit flush when installed.

Notes

1. There is a hanger on three sides of the grill (**SEE DETAIL 3**).
2. The control panel (face) of the accessories is **wider** than the cutout width. This conceals the cutout space on the left & right hand sides.
3. Clearance of 254 mm on each side, and 76 mm at the rear of the oven is recommended for unrestricted operation of accessories. (457 mm from combustible surroundings on each side and rear)
4. Insulating liners must be used and are available for combustible surrounds. Double Side burner (3281), Single Side burner (3279-1) and Drop-In Side burner (3280) do not require an insulating liner (See page 6).

Accessory Hanger Outline

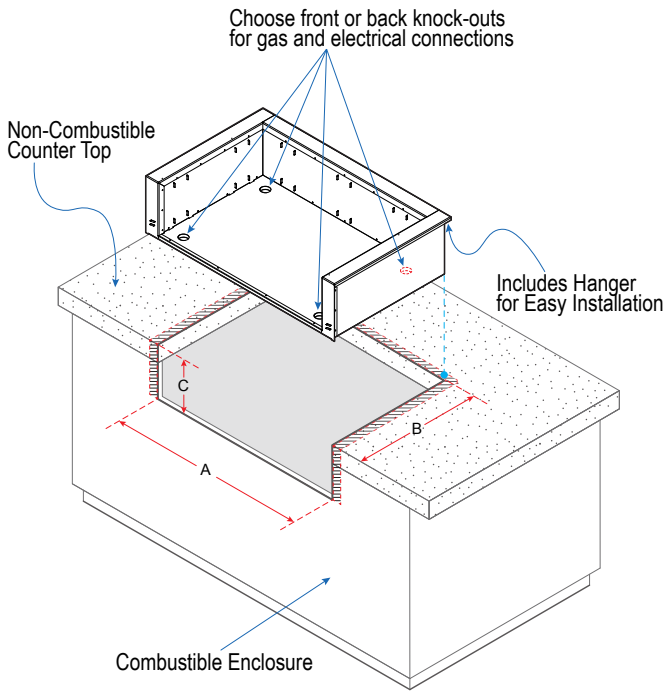


DETAIL 3

Accessory hanger varies in width (51 - 64 mm **ALL AROUND**) depending on the size & configuration of the accessory.

INSULATING LINER MUST BE USED WHEN INSTALLING IN A COMBUSTIBLE ISLAND

Not used on Double Sideburner (3281), Single Sideburner (3279-1) or Drop-In Sideburner (3280)



**INSULATING LINER CUT-OUT DIMENSIONS
(ECHELON & AURORA GRILLS)**

| Grill Model | Insulating Liner Part # | Opening Required | | |
|----------------|-------------------------|------------------|-----------|------------|
| | | Width (A) | Depth (B) | Height (C) |
| Echelon E1060i | 3185-51 | 1403 | 667 | 311 |
| Echelon E790i | 3186-51 | 1080 | 667 | 311 |
| Echelon E660i | 3176-51 | 940 | 667 | 311 |
| Aurora A790i | 3186-51 | 1080 | 667 | 311 |
| Aurora A660i | 3176-51 | 940 | 667 | 311 |
| Aurora A540i | 23150-51 | 940 | 565 | 311 |
| Aurora A530i | 23125-51 | 772 | 667 | 311 |
| Aurora A430i | 23130-51 | 772 | 565 | 311 |

Maintain proper clearance to combustable materials.

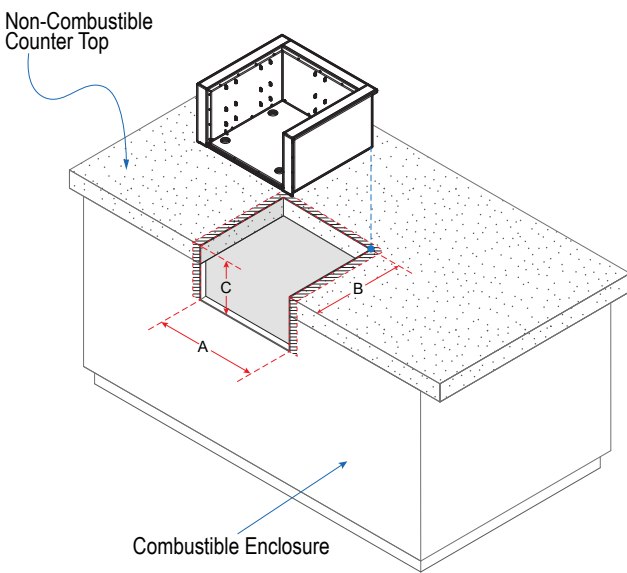
Notes:

1. A nominal 2 mm gap around the back and sides of the liner is recommended for ease of installation.
2. A minimum of 64516 mm² in air ventilation is required at cabinet face.

To install and operate the FireMagic® outdoor gas appliance, please refer to the Installation and Operating instructions and safety precautions shipped with the appliance.

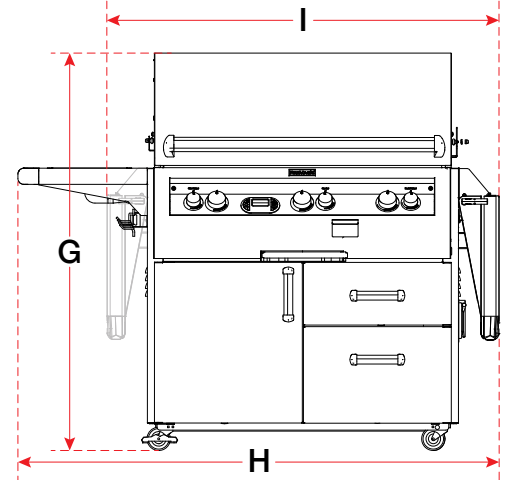
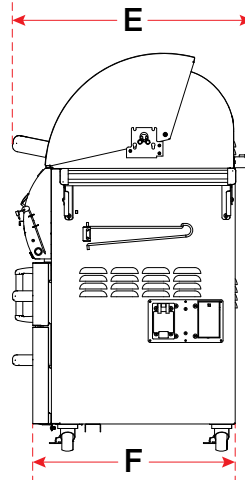
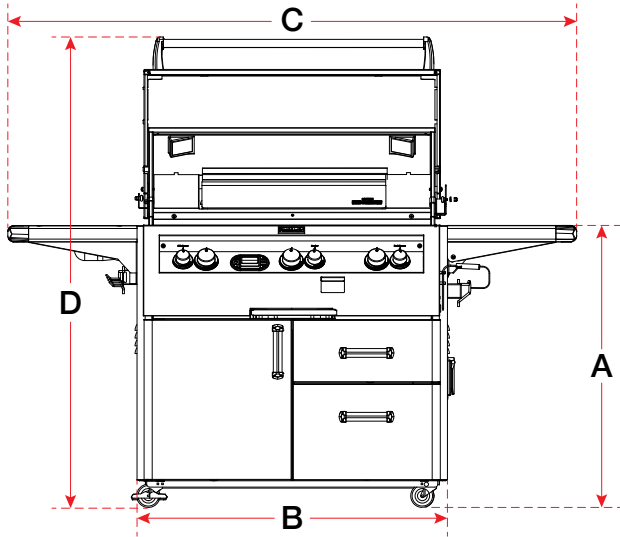
**INSULATING LINER CUT-OUT DIMENSIONS
(LEGACY DELUXE GRILL)**

| Product Model | Insulating Liner Part # | Opening Required | | |
|---------------|-------------------------|------------------|-----------|------------|
| | | Width (A) | Depth (B) | Height (C) |
| Deluxe | 3100-51 | 721 | 502 | 311 |



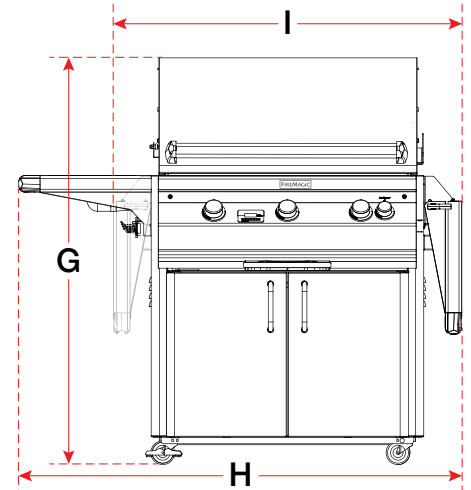
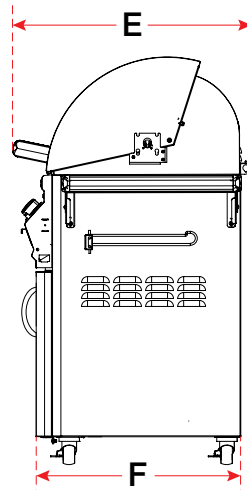
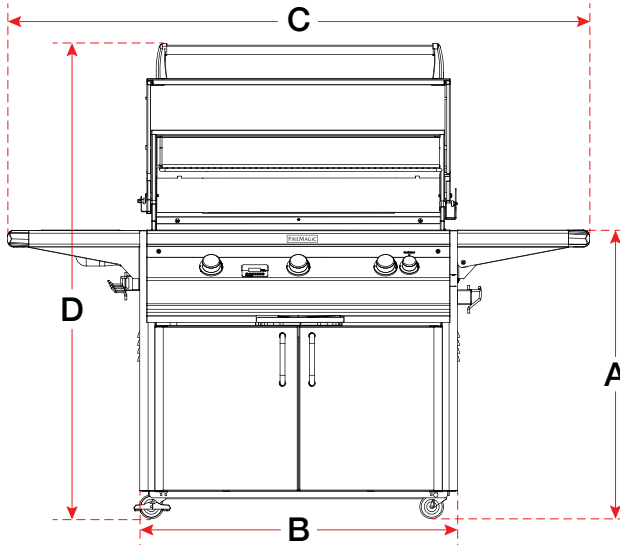
The information provided is for reference only. Detailed instructions are supplied with the insulation liner, unique to the model selected. Read those instructions carefully and completely before starting installation of the liner.

ECHELON PORTABLE GRILLS



| Grill Model # | Series | Top of Shelf height | Cart Base width | Shelves Up width | Oven Open height | Max Outer depth | Cart Base depth | Oven Closed height | 1-Up/1-Down width | Shelves Down width |
|---------------|--------|---------------------|-----------------|------------------|------------------|-----------------|-----------------|--------------------|-------------------|--------------------|
| | | (A) | (B) | (C) | (D) | (E) | (F) | (G) | (H) | (I) |
| E1060s | 62 | 940 | 1346 | 2191 | 1540 | 756 | 660 | 1321 | 1695 | n/a |
| E1060s | 51 | 940 | 1975 | 2819 | 1540 | 756 | 660 | 1321 | 2381 | n/a |
| E790s | 62 | 940 | 1016 | 1861 | 1540 | 756 | 660 | 1321 | 1518 | n/a |
| E790s | 71 | 940 | 1492 | 2337 | 1540 | 756 | 660 | 1321 | 2051 | n/a |
| E660s | 62 | 940 | 870 | 1715 | 1540 | 756 | 660 | 1321 | 1422 | n/a |
| E660s | 71 | 940 | 1346 | 2191 | 1540 | 756 | 660 | 1321 | 1956 | n/a |

AURORA/CHOICE PORTABLE GRILLS



| Grill Model # | Series | Top of Shelf height | Cart Base width | Shelves Up width | Oven Open height | Max Outer depth | Cart Base depth | Oven Closed height | 1-Up/1-Down width | Shelves Down width |
|---------------|--------|---------------------|-----------------|------------------|------------------|-----------------|-----------------|--------------------|-------------------|--------------------|
| | | (A) | (B) | (C) | (D) | (E) | (F) | (G) | (H) | (I) |
| A660s | 61/62 | 940 | 826 | 1581 | 1540 | 756 | 660 | 1321 | 1321 | 1054 |
| A540s | 61/62 | 940 | 826 | 1581 | 1454 | 654 | 552 | 1270 | 1321 | 1054 |
| A430s | 61/62 | 940 | 660 | 1416 | 1454 | 654 | 552 | 1270 | 1156 | 895 |

FireMagic® Outdoor Grill Warranty Highlights

Lifetime Warranty

CAST STAINLESS STEEL BURNERS, STAINLESS STEEL ROD COOKING GRIDS, AND STAINLESS STEEL HOUSINGS ARE WARRANTED FOR AS LONG AS YOU OWN YOUR FIREMAGIC® GRILL.

Fifteen Year Warranty

BRASS VALVES, MANIFOLD ASSEMBLIES, INNER LINERS AND BACKBURNER ASSEMBLIES (EXCEPT IGNITION SYSTEMS) ARE WARRANTED FOR FIFTEEN (15) YEARS.

Five Year Warranty

FLAVOR GRIDS, STAINLESS STEEL CHARCOAL GRILLS AND SMOKER HOUSINGS ARE WARRANTED FOR (5) YEARS.

Three Year Warranty

SIDE BURNERS AND ALL OTHER FIRE MAGIC® GRILL COMPONENTS (EXCEPT IGNITION SYSTEMS AND ELECTRICAL PARTS) ARE WARRANTED FOR THREE (3) YEARS.

One Year Warranty

IGNITION SYSTEMS (EXCLUDING BATTERIES), ELECTRICAL COMPONENTS (INCLUDING LIGHTS AND THERMOMETER), GRILL ACCESSORIES AND SMOKER COMPONENTS ARE WARRANTED FOR ONE (1) YEAR.

FIRE MAGIC® RESERVES THE RIGHT TO AMEND PRODUCT SPECIFICATIONS WITHOUT PRIOR NOTICE.

The information provided in this document is for reference purposes only. Detailed instructions & specifications unique to the product purchased can be found in the Owner's Manual. Read those instructions carefully and completely before attempting installation of any FireMagic® Outdoor Grill product.