

We make summer

Residential Parasols



In 1983, Anton May and his wife Gertrud May set up a small family business called MAY Gerätebau GmbH. Thanks to an ardent entrepreneurial spirit, a sense of creativity and an intuitive feel for innovation, MAY quickly became a well-established trade name on the market. The company now offers jobs for more than 120 employees in rural Upper Swabia, South Germany.

Anton May has, meanwhile, passed the business on to his two sons, Karl-Heinz and Klaus-Peter May, who successfully run the family enterprise, combining tradition with modern management.



Anton May, company founder



*Klaus-Peter May
Graduate engineer (FH)
Graduate business administrator (BA)*



*Karl-Heinz May
Industrial mechanic
Graduate industrial engineer (FH)*

The secret of success is to satisfy a customer's needs

- innovative
- flexible
- upmarket

MAY – shade systems
Made in Germany



For over 30 years MAY has been a leading trade name for premium parasols. Right from the start, the company has resolutely pursued a policy of transferring creative concepts into technical solutions. The result: multi-purpose parasols, used and proven in all kinds of weather, day by day, worldwide. The experience gained by our long-time employees has contributed to the consistently high standard of all our company objectives – from the manufacturing process to customer service.

Satisfied customers and the pleasure of mutually carving a way to success – that is what motivates us anew every day. Please, allow yourself some time for this catalogue and enjoy the year outdoors with our parasols.

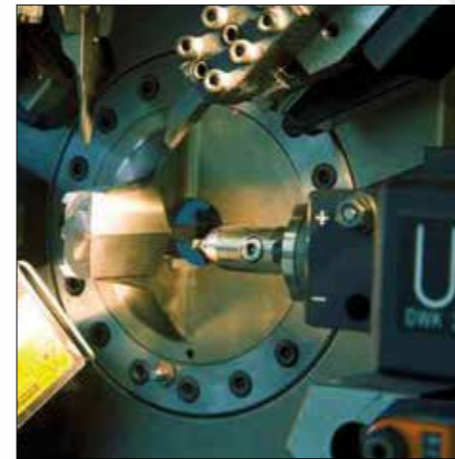
CAD construction of the mechanism of a MAY parasol



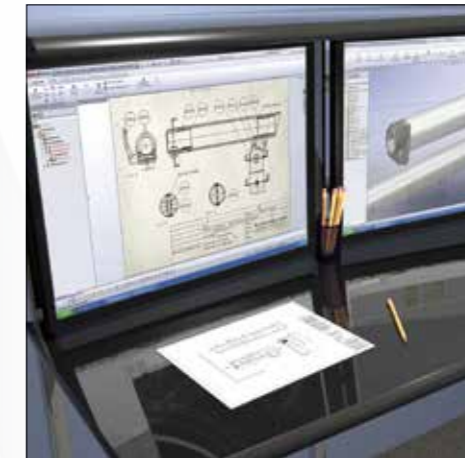
It's the small details that make a great difference.

- designed in Germany
- manufactured in Germany
- tried and proven in the whole world

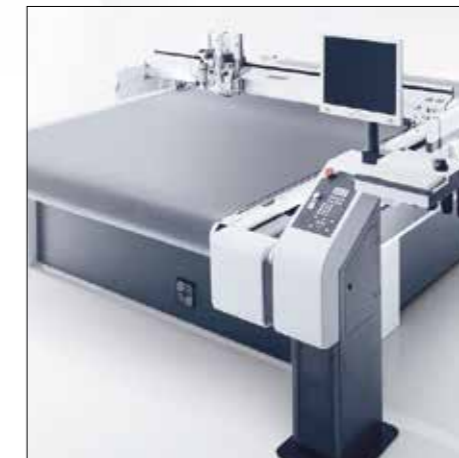
**MAY – shade systems
Made in Germany**



Precision work in the CNC centre



Designing at a CAD work station



Cutting out accurately to a tenth of a millimetre using state-of-the-art computer technology



Sewing with finest handcraft



Star-awarded chef
Johann Lafer

- Gault Millau
- Guide Michelin

TV Chef of the Year 2006
Prize-winning cookbook author



Johann Lafer

Klaus-Peter May





The easy-to-handle side-post parasol

- optimal adjustability
- ergonomic handling
- stability while in use
- product video at www.may-online.com



MAY – shade systems
Made in Germany





MEZZO MG - Standard Model

Stability while in use

The practical MEZZO canopy lock allows the user to open and close the parasol when it is in an inclined position and prevents the canopy from swinging in the wind.

Ergonomic handling

The operational mechanism of the parasol is conveniently positioned and can easily be adjusted to suit the height of your choice.

Crank drive

With the help of a hand crank MEZZO can be opened and closed, positioned and locked in next to no time.

High-quality framework materials

The poles of our parasols are all made of high-quality alloyed, extruded aluminium profiles. Frame surfaces are anodized, highly impact-proof, and available in the colour EV1

natural silver-grey. The spokes are of spring steel and powder-coated, available in white aluminium RAL 9006.

Canopy covering

For fabrics and colours cf. page 36 onwards.

Valance options

- without valance
- straight valance

Installation options

- mobile
- stationary
cf. page 30 onwards.

When not in use

The protective cover provided can easily be slipped over the shade during bad weather periods.



Ergonomic handling



Stability while in use

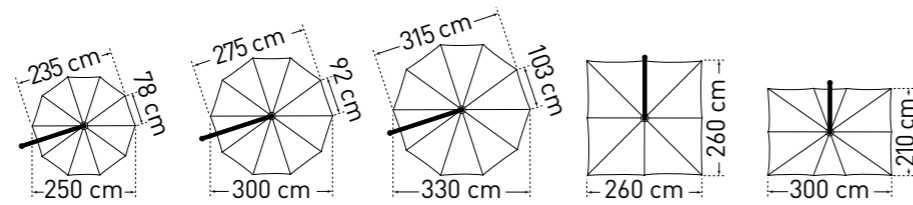


Optimal adjustability

The canopy can be rotated around all three axes:
360° around the support pole
180° around the cross arm
90° around the joint axis

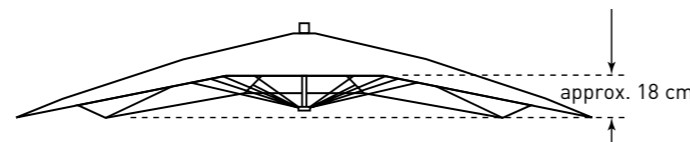
Such unique freedom of movement makes it possible for the user to adjust the parasol to the changing position of the sun or to use it as a protective screen.





MEZZO standard model MG			Ø 2.5 m	Ø 3.0 m	Ø 3.3 m ¹⁾	2.6 x 2.6 m	2.1 x 3.0 m ²⁾
Segments			10	10	10	8	10
Area	m ²		5	7	8,5	6,75	6,25
A	without/with valance	cm	208 / 218	182 / 192	200	209	195
B	without/with valance	cm	263 / 253	251 / 261	269	268	261
C	without/with valance	cm	353 / 363	359 / 369	405	372	351
D	without/with valance	cm	137	104 / 114	100	129	150
E		cm	162	162	170	162	162
F		cm	280	305	335	282	272
G		cm	55	55	55	55	55
H		cm	90	90	90	90	90
I	without/with valance	cm	182 / 192	182 / 192	192	192	192
K	without/with valance	cm	259 / 269	259 / 269	278	268	270
L	without/with valance	cm	30 / 40	30 / 40	40	38	40
M	without/with valance	cm	90 / 100	93 / 103	90	69	73
P	without/with valance	cm	74 / 83	70 / 80	73	50	54
Weight without packaging	kg		16	17	18	16	16
Q	Support pole diameter	mm	outer-Ø 55, pole thickness 3				
Packaging			rectangular cardboard box: l= 290 cm, w= 37 cm, h= 15 cm, approx. 3 kg				
Installation base	length/width/min. depth	cm	50/50/60				
Minimum-ballast	Number of layers of concrete slabs XZ40 required		1 x = approx. 72 kg				

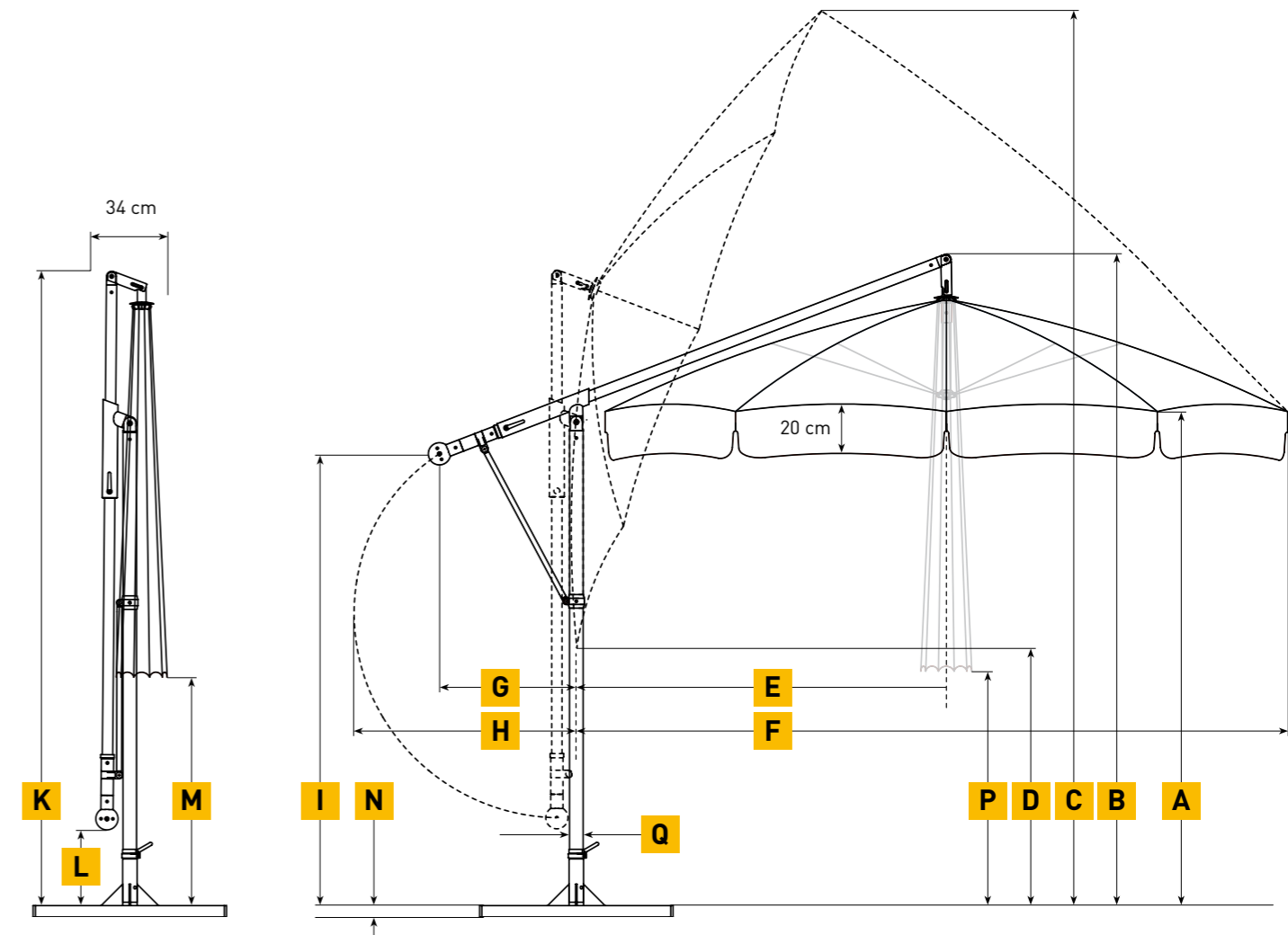
¹⁾ Additional pedestal weight may be required for windy locations (upwind, sloping sites and so on). Do not use granite base. Pedestals require 2 sets of concrete slabs.
²⁾ The canopy is vaulted, so that the corner spokes are approx. 9 – 18 cm lower than the centre spokes. (cf. sketch)



Dimensional tolerance approx. 5%.

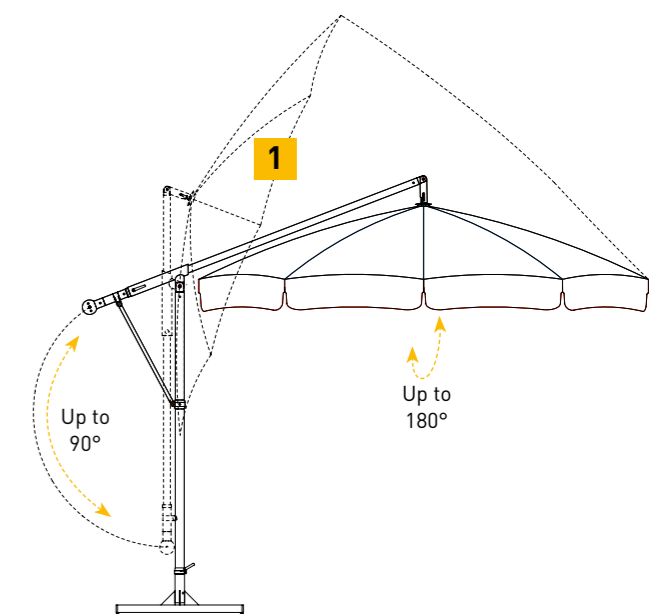
N The heights specified are for parasols with MayTex-Acryl covering fabric that are mounted in an anchor tube (DMZ118, DMZ146, DMZ150). The increase in height for parasols with other installation bases can be seen in the list below:

- Cross pedestal: DMZ110 + 6 cm
- Full frame pedestal: DMZ411 + 9 cm
- Full frame pedestal: DMZ412 + 12 cm
- Full frame pedestal: DMZ414 + 16 cm
- Full frame pedestal: DMZ420 + 19 cm
- Granite base: DMZ141 + 10 cm
- Wheeled pedestal: DMZ282 + 14/15 cm
- Anchor plate: DMZ261 + 4 cm



Adjustable to suit your individual needs

1 No matter where the sun is, the parasol canopy can be tilted at any angle for shade and protection, then locked.



MEZZO MH – with height adjustment

More functions – more benefits! Our model MEZZO MH not only has the standard functions of MEZZO MG, it also offers the possibility of effortless height adjustment. Thanks to a pneumatic spring incorporated in the support pole, the physical strength needed to raise or lower the parasol is effectively reduced to a minimum.



Optimal adjustability
 The canopy can be rotated around all three axes:
 360° around the support pole
 180° around the cross arm
 90° around the joint axis

Such unique freedom of movement makes it possible for the user to adjust the parasol to the changing position of the sun or to use it as a protective screen.



Ergonomic handling

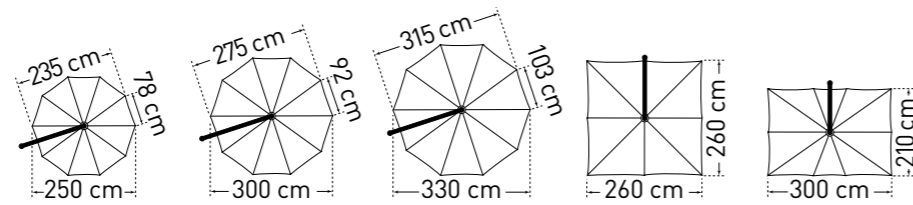


Double clamp for height adjustment



Up to 90°

Height adjustment of up to 35cm



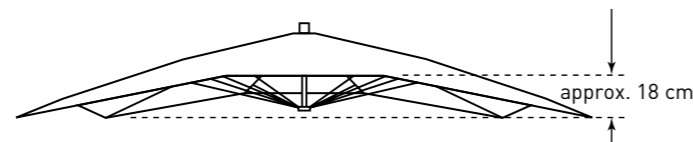
MEZZO model MH		Ø 2.5 m	Ø 3.0 m	Ø 3.3 m ¹⁾	2.6 x 2.6 m	2.1 x 3.0 m ²⁾
Segments		10	10	10	8	10
Area	m ²	5	7	8.5	6.75	6.25
A	min. / max. cm	188 / 222	176 / 210	163 / 198	182 / 217	156 / 191
B	min. / max. cm	235 / 270	238 / 273	235 / 270	241 / 276	235 / 270
C	min. / max. cm	322 / 357	335 / 370	373 / 408	345 / 380	323 / 358
D	min. / max. cm	110 / 145	85 / 120	80 / 115	102 / 137	125 / 160
E	cm	160	160	166	160	160
F	cm	285	300	328	282	272
G	cm	55	55	55	55	55
H	cm	90	90	90	90	90
I	min. / max. cm	165 / 200	165 / 200	165 / 200	165 / 200	165 / 200
K	min. / max. cm	241 / 276	241 / 276	250 / 285	241 / 276	241 / 276
L	min. / max. cm	11 / 46	11 / 46	11 / 46	11 / 46	11 / 46
M	min. / max. cm	82 / 117	75 / 110	65 / 100	42 / 77	45 / 80
P	min. / max. cm	67 / 102	60 / 95	40 / 75	23 / 58	27 / 62
Weight without packaging	kg	18	19	20	18	18
Q	Support pole diameter mm	outer-Ø 55, pole thickness 3				
Packaging		rectangular cardboard box: l= 270 cm, b= 37 cm, h= 15 cm, approx. 3 kg				
Installation base length/width/min. depth	cm	50/50/60				
Minimum-ballast Number of layers of concrete slabs XZ40 required		1 x = approx. 72 kg				

¹⁾ Sizes without valance: with valance less 20 cm.

²⁾ Additional pedestal weight may be required for windy locations (upwind, sloping sites and so on). Do not use granite base. Pedestals require 2 sets of concrete slabs.

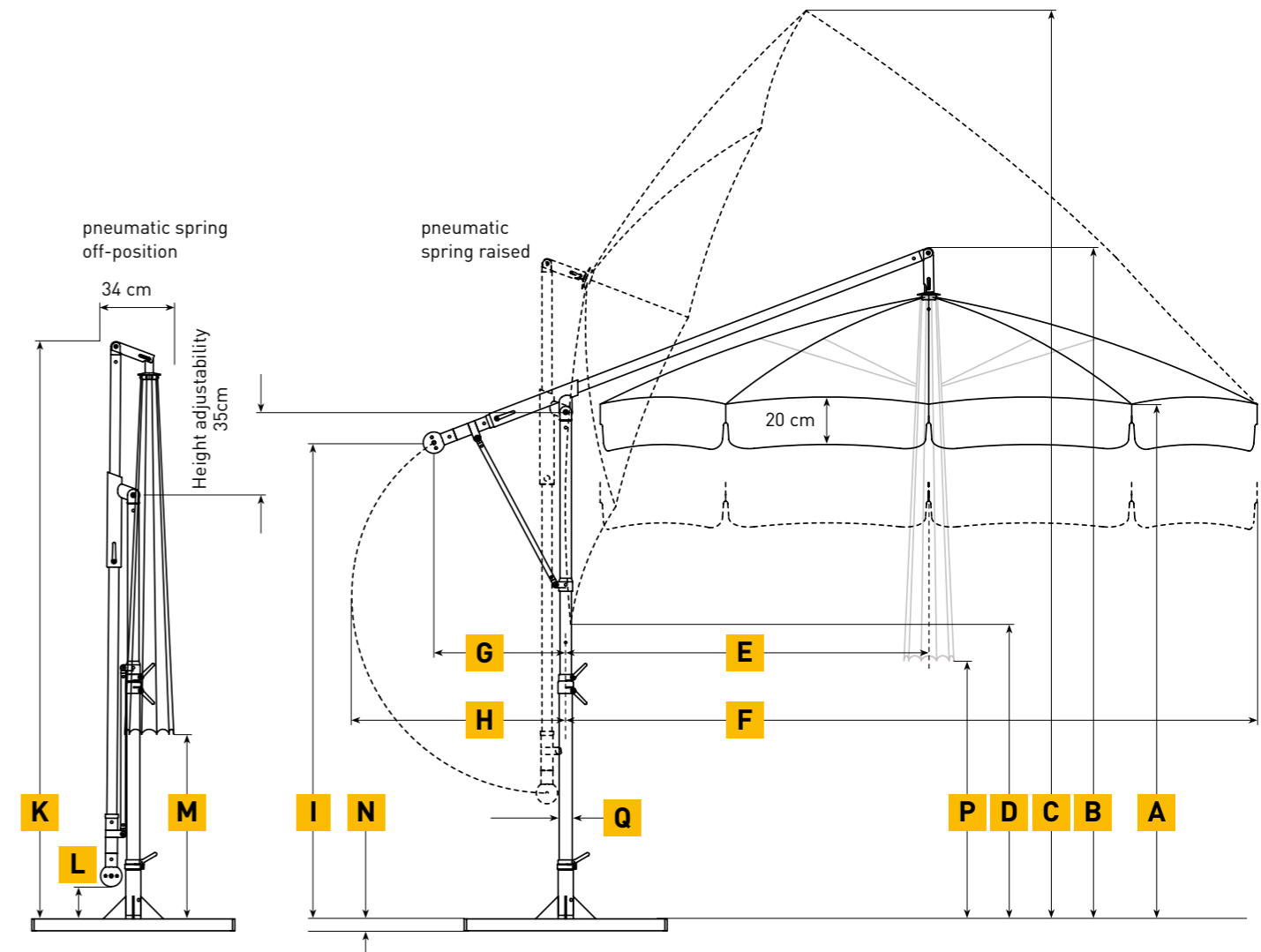
³⁾ The canopy is vaulted, so that the corner spokes are approx. 9 – 18 cm lower than the centre spokes. (cf. sketch)

Dimensional tolerance approx. 5%.



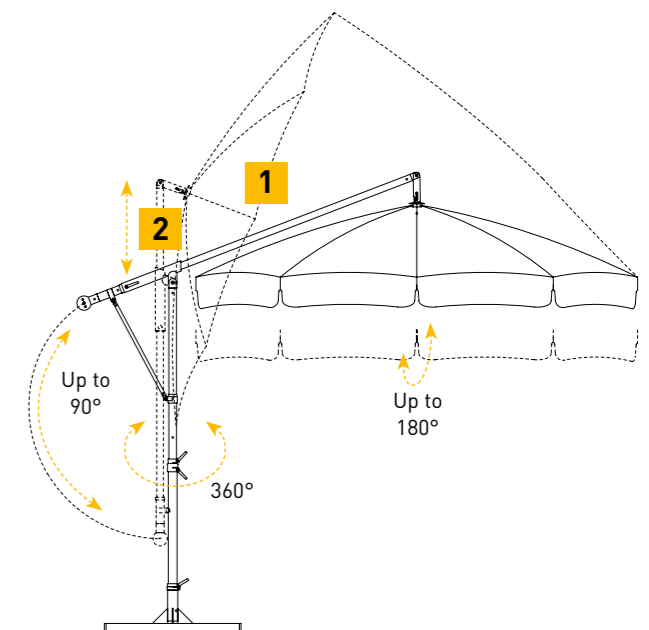
N The heights specified are for parasols with MayTex-Acryl covering fabric that are mounted in an anchor tube (DMZ118, DMZ146, DMZ150). The increase in height for parasols with other installation bases can be seen in the list below:

- Cross pedestal: DMZ110 + 6 cm
- Full frame pedestal: DMZ411 + 9 cm
- Full frame pedestal: DMZ412 + 12 cm
- Full frame pedestal: DMZ414 + 16 cm
- Full frame pedestal: DMZ420 + 19 cm
- Granite base: DMZ141 + 10 cm
- Wheeled pedestal: DMZ282 + 14/15 cm
- Anchor plate: DMZ261 + 4 cm



Adjustable to suit your individual needs

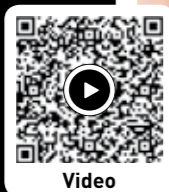
- 1** No matter where the sun is, the parasol canopy can be tilted at any angle for shade and protection, then locked.
- 2** Effortless height adjustment thanks to standard incorporation of a pneumatic spring in the support pole (MH).





Our versatile designer side-post parasol

- maximum flexibility
- elegant design
- high-grade steel and aluminium
- product video at www.may-online.com



Video

MAY – shade systems
Made in Germany







DACAPO DG – standard model and DACAPO DK – with crank for cross arm regulation

With the help of a ball-joint mechanism the DACAPO canopy can be tilted to any required angle – depending on the position of the sun – and then locked. The standard incorporation of a pneumatic spring in the parasol mast enables easy height (vertical) adjustment. If requested, parasols can also be supplied with a crank for horizontal operation of the cross arm. In that case order DACAPO DK.

Complete freedom of movement

The position of the mast of DACAPO side-post parasols allows completely unencumbered movement in shaded areas. Consequently, you will be able to make full use of your garden, balcony or patio space.

High-quality framework materials

The poles of our parasols are all made of high-quality alloyed, extruded aluminium profiles. Frame surfaces are anodized, highly impact-proof, and available in the colour EV1 anodized silver-grey. The spokes are of spring steel and powder-coated, available in white aluminium RAL 9006.

Ultra-quick opening and closing

A technical tour de force. DACAPO can be opened in next to no time and closed again just as quickly. No need to dismount anything. When closed and folded together, the space-saving parasol can easily be stored away. An advantage that no other side-post parasol can beat.

Maximum movability of the canopy

The canopy of the parasol can be tilted at any angle, depending on the position of the sun. E.g. set at an angle of 90°, it can protect you from the low rays of the sun or serve as a screen for privacy.

Canopy covering fabric

For fabrics and colours cf. page 36 onwards.

Valance options

- without valance
- straight valance

Installation options

- mobile
- stationary
cf. page 30 onwards.

When not in use

The protective cover provided can easily be slipped over the shade during bad weather periods.



DG, Dacapo standard version



DK, Dacapo with crank

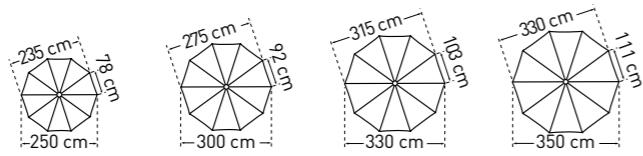


Ball joint

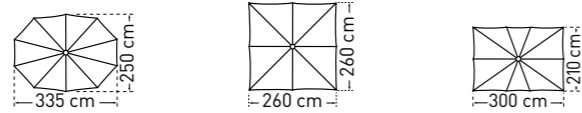


Straight valance



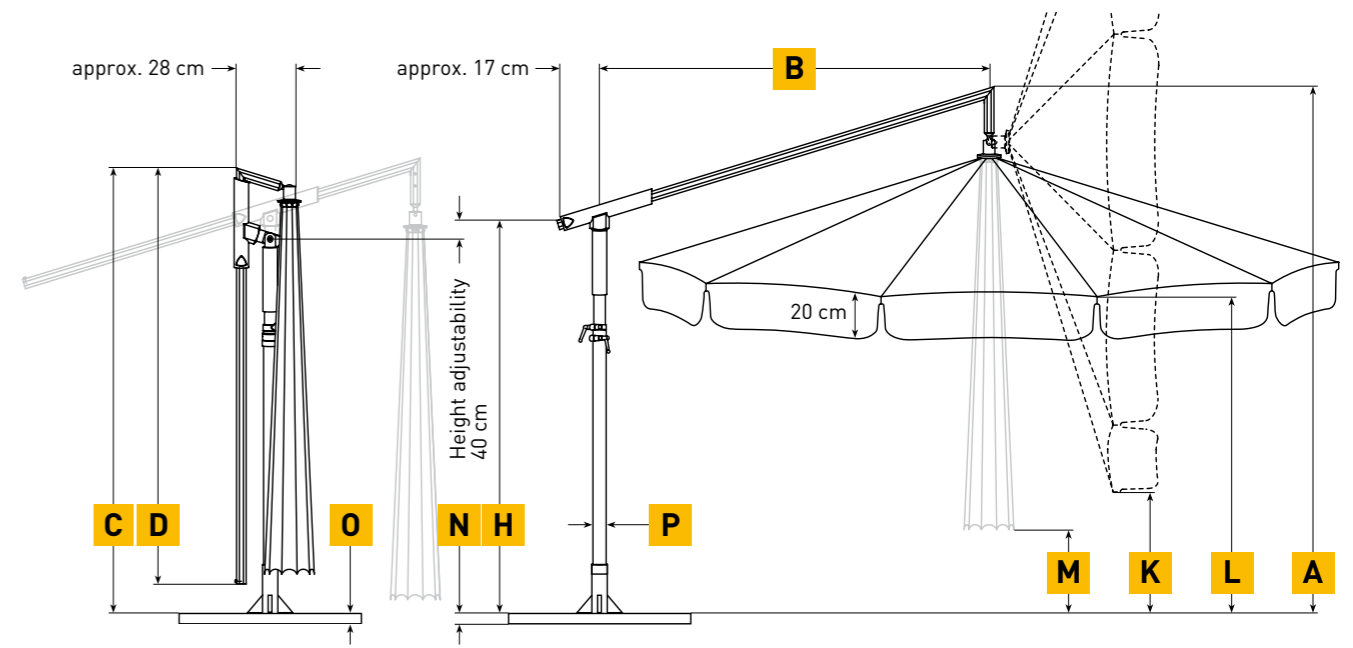


DACAPO standard model DG		Ø 2.5 m	Ø 3.0 m	Ø 3.3 m ³⁾	Ø 3.5 m ^{2) 3)}
Segments		10	10	10	10
Area		m ² 4.9	7.1	8.5	9.6
A	min./max.	cm 250 / 290	250 / 290	250 / 290	250 / 290
B		cm 160	160	180	180
C	min./max.	cm 222 / 262	222 / 262	222 / 262	222 / 262
D		cm 185	185	205	205
H	min./max.	cm 195 / 235	195 / 235	195 / 235	195 / 235
K¹⁾	min./max.	cm 100 / 140	80 / 120	60 / 100	50 / 90
L¹⁾	min./max.	cm 180 / 220	170 / 210	170 / 210	170 / 210
M¹⁾	min./max.	cm 69 / 109	69 / 109	50 / 90	40 / 80
O¹⁾	min./max.	cm 64 / 104	56 / 96	30 / 70	26 / 66
Weight without packaging		kg 18	19	19	20
P	Support pole diameter	mm	outer-Ø 55, pole thickness 3		
Packaging		rectangular cardboard box: l= 235 cm, b= 37 cm, h= 15 cm, approx. 3 kg			
Installation base length/width/min. depth		cm 50/50/60			
Minimum-ballast		1 x = approx. 72 kg		2 x = approx. 144 kg	
		Number of layers of concrete slabs XZ40 required			



DACAPO standard model DG		2.5 x 3.35 m ^{1) 4)}	2.6 x 2.6 m	2.1 x 3.0 m ⁴⁾
Segments		10	8	10
Area		m ² 6.8	6.8	6.3
A	min./max.	cm 250 / 290	255 / 294	250 / 290
B		cm 180	180	180
C	min./max.	cm 222 / 262	223 / 263	250 / 262
D		cm 205	207	205
H	min./max.	cm 195 / 235	195 / 235	195 / 235
K¹⁾	min./max.	cm 100 / 140	102 / 140	115 / 155
L¹⁾	min./max.	cm 171 / 211	192 / 231	168 / 208
M¹⁾	min./max.	cm 42 / 82	42 / 81	40 / 80
O¹⁾	min./max.	cm 27 / 67	27 / 67	27 / 67
Weight without packaging		kg 20	20	20
P	Support pole diameter	mm	outer-Ø 55, pole thickness 3	
Packaging		rectangular cardboard box: l= 235 cm, b= 37 cm, h= 15 cm, approx. 3 kg		
Installation base length/width/min. depth		cm 50/50/60		
Minimum-ballast		1 x = approx. 72 kg		
		Number of layers of concrete slabs XZ40 required		

Dimensional tolerance approx. 5%.

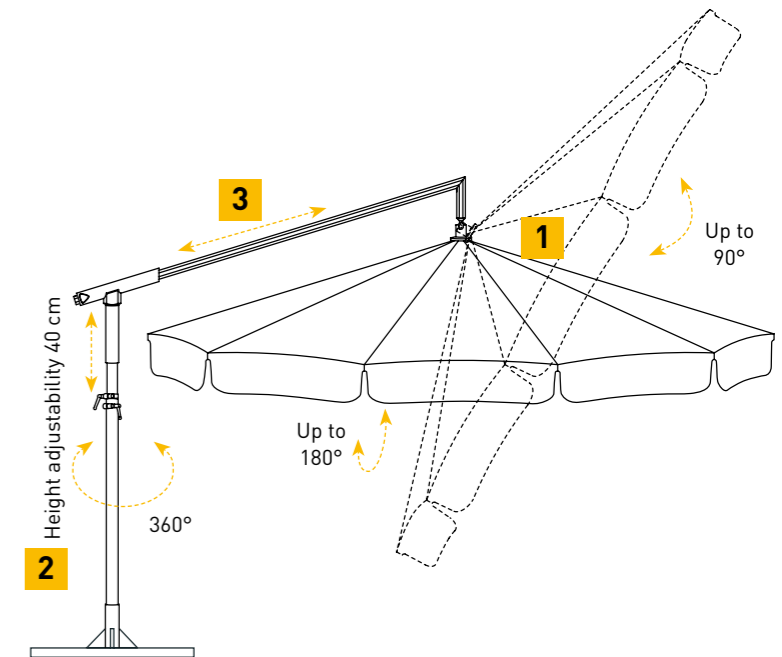


N The heights specified are for parasols with MayTex-Acryl covering fabric that are mounted in an anchor tube (DMZ118, DMZ146, DMZ150). The increase in height for parasols with other installation bases can be seen in the list below:

- Cross pedestal: DMZ110 + 6 cm
- Full frame pedestal: DMZ411 + 9 cm
- Full frame pedestal: DMZ412 + 12 cm
- Full frame pedestal: DMZ414 + 16 cm
- Full frame pedestal: DMZ420 + 19 cm
- Granite base: DMZ141 + 10 cm
- Wheeled pedestal: DMZ282 + 14/15 cm
- Anchor plate: DMZ261 + 4 cm

Adjustable to suit your individual needs

- 1** No matter where the sun is, the parasol canopy can be tilted at any angle for shade and protection, then locked. (DG and DK).
- 2** Effortless height adjustment thanks to standard incorporation of a pneumatic spring in the support pole (DG and DK).
- 3** The cross arm can easily be adjusted (DG).

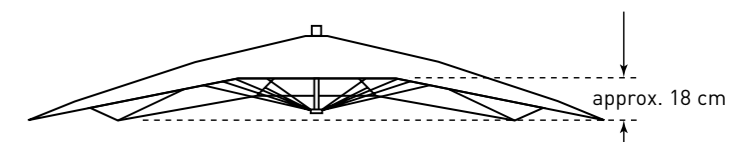


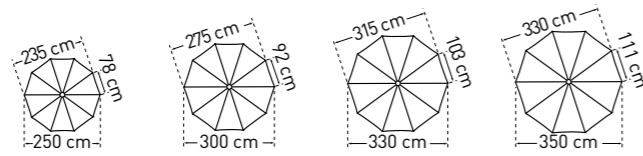
¹⁾ Sizes without valance: with valance less 20 cm.

²⁾ Ø 3.5 m: in MayTex-Poly only.

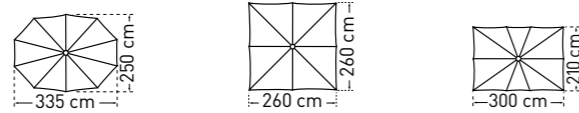
³⁾ Additional pedestal weight may be required for windy locations (upwind, sloping sites and so on). Do not use granite base. Pedestals require 2 sets of concrete slabs.

⁴⁾ The canopy is vaulted, so that the corner spokes are approx. 9-18 cm lower than the centre spokes (cf. sketch).



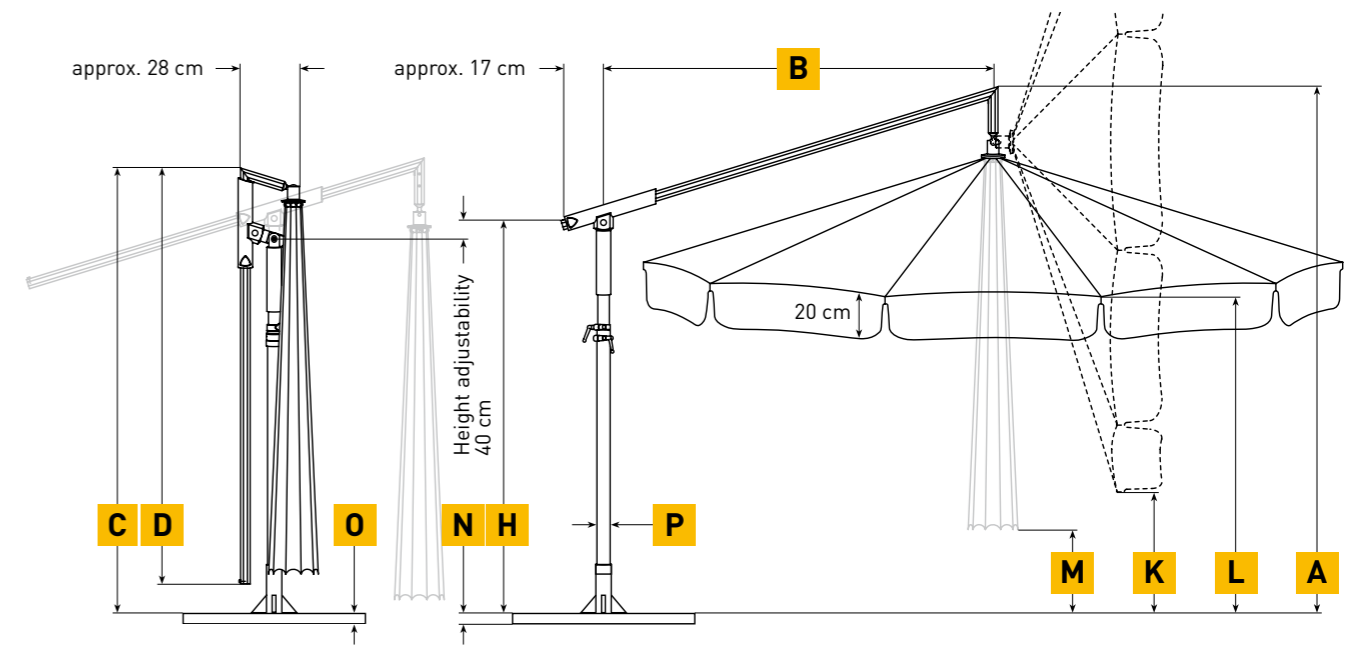


DACAPO with crank DK		Ø 2.5 m	Ø 3.0 m	Ø 3.3 m ³⁾	Ø 3.5 m ^{2) 3)}
Segments		10	10	10	10
Area	m ²	4.9	7.1	8.5	9.6
A	min./max. cm	240 / 280	240 / 280	245 / 285	245 / 285
B	cm	160	160	180	180
C	min./max. cm	212 / 252	212 / 252	210 / 250	210 / 250
D	cm	185	185	205	205
H	min./max. cm	185 / 225	185 / 225	185 / 225	185 / 225
K¹⁾	min./max. cm	90 / 130	68 / 108	46 / 101	33 / 73
L¹⁾	min./max. cm	170 / 210	160 / 200	164 / 204	160 / 200
M¹⁾	min./max. cm	59 / 99	50 / 99	40 / 80	30 / 70
O¹⁾	min./max. cm	52 / 92	45 / 85	19 / 59	15 / 55
Weight without packaging	kg	18	19	19	20
P	Support pole diameter mm	outer-Ø 55, pole thickness 3			
Packaging		rectangular cardboard box: l= 235 cm, b= 37 cm, h= 15 cm, approx. 3 kg			
Installation base length/width/min. depth	cm	50/50/60			
Minimum-ballast	Number of layers of concrete slabs XZ40 required	1 x = approx. 72 kg		2 x = approx. 144 kg	



DACAPO with crank DK		2.5 x 3.35 m ^{1) 4)}	2.6 x 2.6 m	2.1 x 3.0 m ⁴⁾
Segments		10	8	10
Area	m ²	6.8	6.8	6.3
A	min./max. cm	245 / 285	245 / 284	245 / 280
B	cm	180	180	180
C	min./max. cm	210 / 250	213 / 253	210 / 250
D	cm	205	207	205
H	min./max. cm	185 / 225	185 / 225	185 / 225
K¹⁾	min./max. cm	90 / 130	92 / 130	107 / 147
L¹⁾	min./max. cm	160 / 200	182 / 221	180 / 220
M¹⁾	min./max. cm	32 / 72	32 / 71	30 / 70
O¹⁾	min./max. cm	16 / 56	16 / 56	16 / 56
Weight without packaging	kg	20	20	20
P	Support pole diameter mm	outer-Ø 55, pole thickness 3		
Packaging		rectangular cardboard box: l= 235 cm, b= 37 cm, h= 15 cm, approx. 3 kg		
Installation base length/width/min. depth	cm	50/50/60		
Minimum-ballast	Number of layers of concrete slabs XZ40 required	1 x = approx. 72 kg		

Dimensional tolerance approx. 5%.

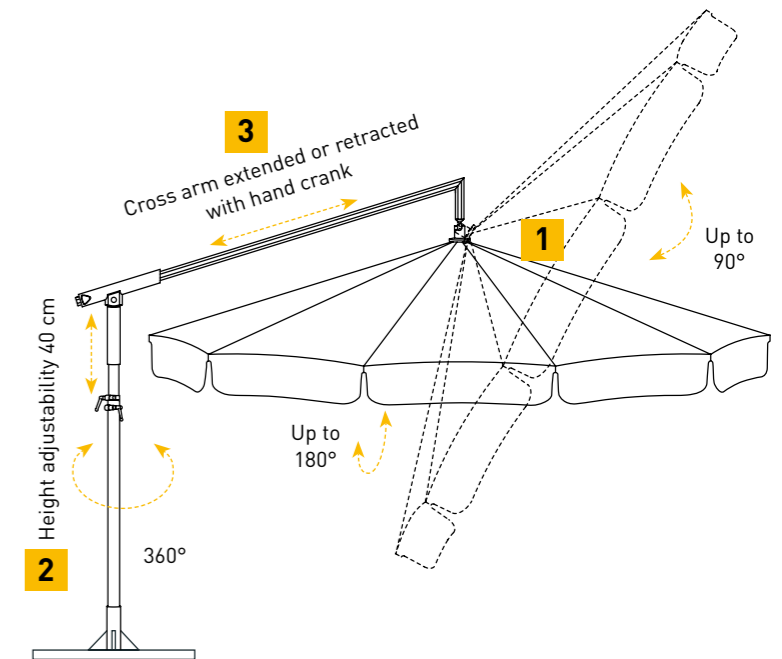


N The heights specified are for parasols with MayTex-Acryl covering fabric that are mounted in an anchor tube (DMZ118, DMZ146, DMZ150). The increase in height for parasols with other installation bases can be seen in the list below:

- Cross pedestal: DMZ110 + 6 cm
- Full frame pedestal: DMZ411 + 9 cm
- Full frame pedestal: DMZ412 + 12 cm
- Full frame pedestal: DMZ414 + 16 cm
- Full frame pedestal: DMZ420 + 19 cm
- Granite base: DMZ141 + 10 cm
- Wheeled pedestal: DMZ282 + 14/15 cm
- Anchor plate: DMZ261 + 4 cm

Adjustable to suit your individual needs

- 1** No matter where the sun is, the parasol canopy can be tilted at any angle for shade and protection, then locked (DG and DK).
- 2** Effortless height adjustment thanks to standard incorporation of a pneumatic spring in the support pole (DG and DK).
- 3** On special request, additional crank for easy horizontal adjustment (DK).

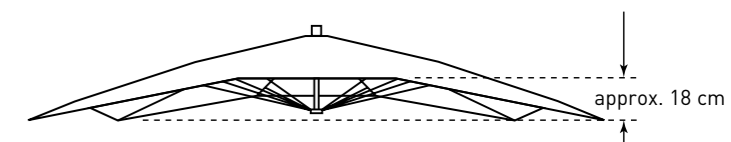


¹⁾ Sizes without valance: with valance less 20 cm.

²⁾ Ø 3.5 m: in MayTex-Poly only.

³⁾ Additional pedestal weight may be required for windy locations (upwind, sloping sites and so on). Do not use granite base. Pedestals require 2 sets of concrete slabs.

⁴⁾ The canopy is vaulted, so that the corner spokes are approx. 9-18 cm lower than the centre spokes (cf. sketch).



DACAPO – Accessories and Bases

Additional protective sleeve

fabric: grey tarp, with aluminium rod for easy handling and zipper. Please state parasol size.

art. no. **DA130**



MA130 / DA130

DACAPO – mobile installation options

Cross pedestal

mounted with screws, frame size 83 x 83 cm, total height 28 cm, weight approx. 4.5 kg, galvanized. For standard concrete slabs 40 x 40 x 5 cm.

art. no. **DMZ110**

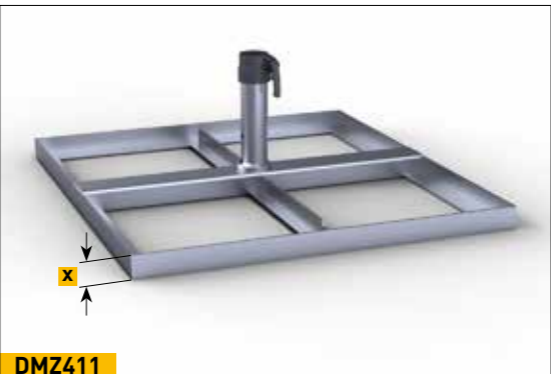


DMZ110

Full frame pedestal

frame size 84 x 91 cm, total height 33 cm, height of frame x = 5 cm, weight approx. 23 kg, galvanized. For 1 set of standard concrete slabs 40 x 40 x 5 cm.

art. no. **DMZ411**



DMZ411

Full frame pedestal adjustable for slanting surfaces

with 4 rubber diagonal support levelling screws, frame size 84 x 91 cm, total height min. 34 cm, max. 40 cm, weight approx. 24 kg, galvanized. For 1 set of standard concrete slabs 40 x 40 x 5 cm.

art. no. **DMZ412**



DMZ412

Full frame pedestal on wheels

with rubber heavy-duty rollers and fixing brakes, frame size 84 x 91 cm, total height 40 cm, diameter of rollers 5 cm, weight approx. 24 kg, galvanized. For 1 set of standard concrete slabs 40 x 40 x 5 cm. Attention: wind sensitive!

art. no. **DMZ414**



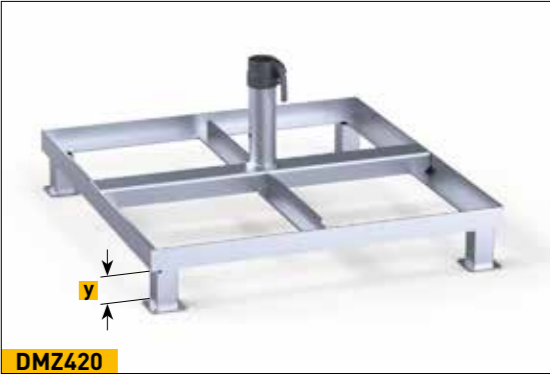
DMZ414

DACAPO – mobile installation options

Full frame pedestal on feet

for forklift or lift truck transport, frame size 84 x 91 cm, foot height y = 10 cm, weight approx. 25 kg, galvanized. For 1 set of standard concrete slabs 40 x 40 x 5 cm.

art. no. **DMZ420**



DMZ420

Concrete slabs

1 set = 4 slabs, each 40 x 40 x 5 cm, weight per slab: approx. 18 kg, weight approx. 72 kg

art. no. **XZ40**



XZ40

Granite base

Ø approx. 70 cm, 2 pieces, round, grau, polished, 4 recessed grips, stainless steel surface, weight approx. 100 kg, height x = approx. 10 cm

art. no. **DMZ141**



DMZ141

Wheeled pedestal

incl. weights, rubber rollers, stainless steel locking rod. Colour anthracite, 75 x 75 cm, weight approx. 100 kg.



anthracite

art. no. **DMZ282**



DMZ282

Wheeled pedestal

incl. weights, rubber rollers, stainless steel locking rod. Colour graphite, 75 x 75 cm, weight approx. 100 kg.



graphite

art. no. **DMZ283**



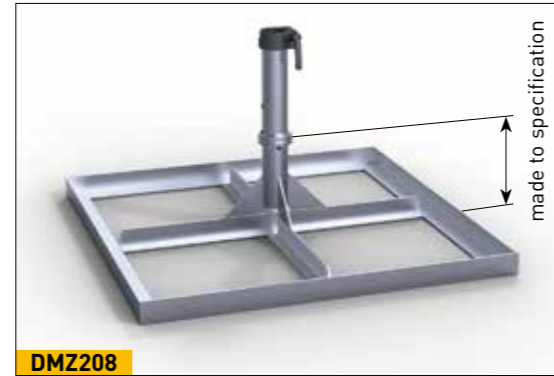
DMZ283, Illustration without hood

DACAPO – mobile installation options

Full frame pedestal

customized height to fit patio surface, frame size 83 x 83 cm, screw-off upper part, galvanized, weight approx. 23 kg, incl. top plate for winter protection. For 1 set of standard concrete slabs 40 x 40 x 5 cm.

art. no. **DMZ208**



DMZ208



DMZ208 Installation



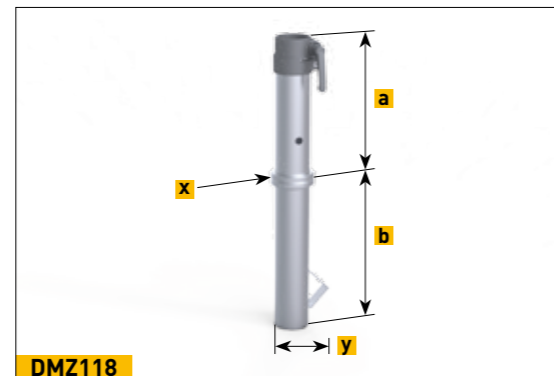
DMZ208 Installation

DACAPO – stationary installation options

Anchor tube to be embedded in concrete

2 pieces, screw-off upper part, galvanized, weight approx. 4.7 kg, incl. top plate for winter protection. a = 25 cm, b = 29 cm, x = Ø 8 cm, y = 15 cm

art. no. **DMZ118**



DMZ118



DMZ118 Installation

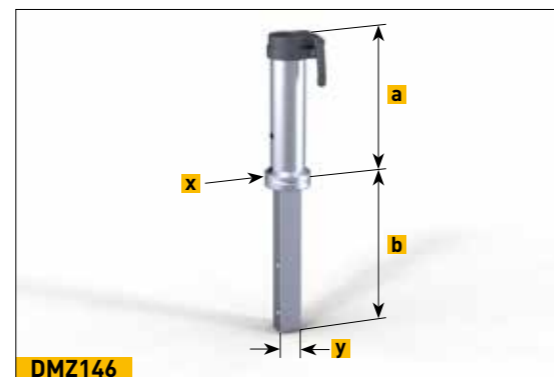


DMZ118 Installation

Anchor tube to be embedded in concrete

for an existing foundation with a bore hole of min. Ø 71 mm, 2 pieces, screw-off upper part. The bore hole is filled with concrete in order to fix the lower part of the anchor tube. The existing foundation must be adequate in size for the designated parasol. Galvanized, weight approx. 3 kg, lower tube square, incl. top plate for winter protection. a = 25 cm, b = 28.5 cm, x = Ø 8 cm, y = □ 5 cm

art. no. **DMZ146**



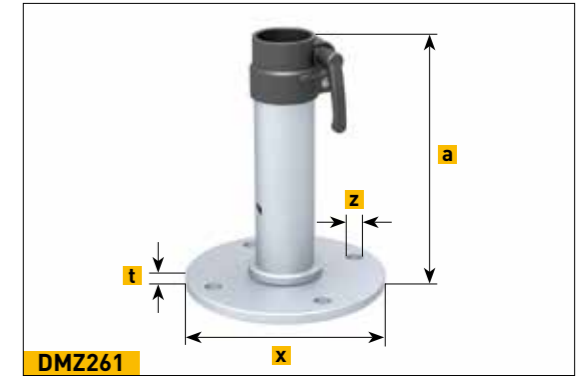
DMZ146

DACAPO – stationary installation options

Dowel-anchored plate

galvanized, weight approx. 5 kg, a = 27.5 cm, x = Ø 21.5 cm, t = 1.2 cm, z = Ø 1.8 cm

art. no. **DMZ261**



DMZ261

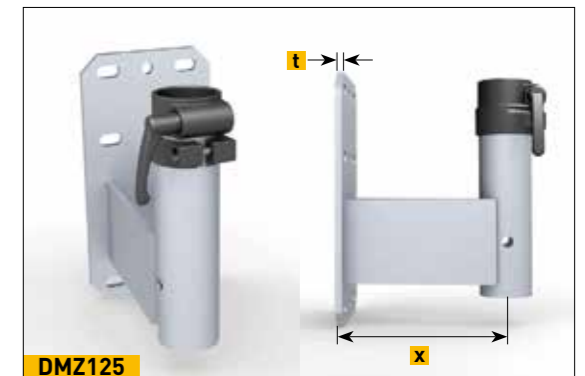


DMZ261 Installation

Wall bracket

galvanized, weight approx. 5.5 kg, wall plate 30 x 16 cm, x = 20 cm, t = 0.8 cm. Bottom of support pole rests on bottom end of anchor tube.

art. no. **DMZ125**



DMZ125

Wall pressure plate for DMZ125

galvanized; 30 x 16 cm, to be clamped onto the existing bars (only possible if these are very strong), bore holes for M16 stud bolts (not included in the delivery)

art. no. **200084**

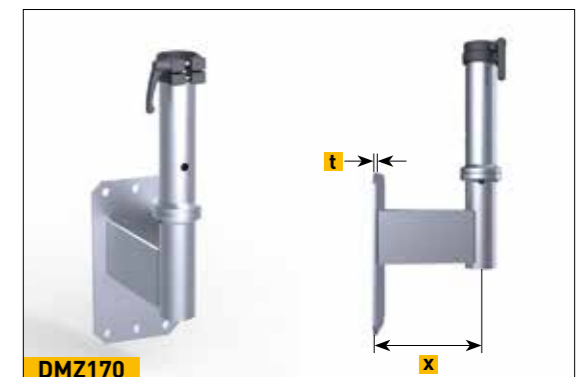


200084

Wall bracket

galvanized, weight approx. 6.5 kg, wall plate 30 x 16 cm, x = 20 cm, t = 0.8 cm.

art. no. **DMZ170**



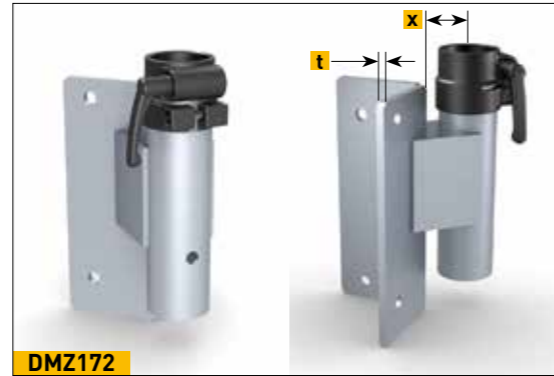
DMZ170

DACAPO – stationary installation options

Corner wall bracket

galvanized, weight approx. 5.5 kg, x = 5.5 cm, t = 0.8 cm

art. no. **DMZ172**



Dowel-anchored plate

customized height to fit patio surface, anchor plate 30 x 30 cm, screw-off upper part, galvanized, weight approx. 10 kg, incl. top plate for winter protection.

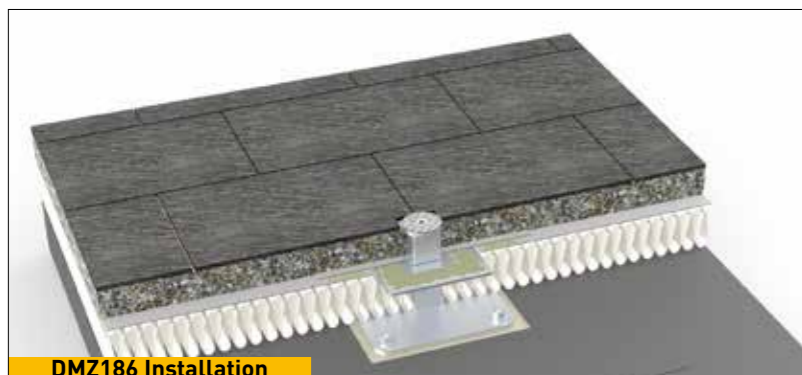
art. no. **DMZ129**



Flat-roof dowel-anchored plate

externally insulated roof system, system-conform flat roof connection with liquid plastic; customized height to fit flat roof surface, dowel plate 30 x 30 cm, screw-off upper part, galvanized, weight approx. 13 kg, incl. top plate for winter protection.

art. no. **DMZ186**



DACAPO – stationary installation options

Anchor bolt

bolt and nut, fits for DMZ261, DMZ125, DMZ170, DMZ172, DMZ129 and DMZ186; approved for cracked and non-cracked concrete B25 to B55 (old compressive strength classes) C20/25 to C50/60 (new EU classification), also suitable for concrete B15 = C12/15 and natural stone with dense structure. Concrete bore hole \varnothing 16 x 115 mm. in stainless steel A4 1.4529, package contains 4 bolts, European Technical Approval ETA-05/0069.

art. no. **200900**



Screw-in ground anchor

groundscrew with upper anchor tube, incl. standard parts, parts unscrewed on delivery, steel, galvanized acc. DIN EN ISO 1461, weight approx. 27 kg; delivered in two ready-to-assemble parts. (For further information cf. catalogue Commercial Parasols, p. 117.)

art. no. **DMZ330**



Theft pin

padlock and pin, in stainless steel, for support pole \varnothing 55 mm. suitable for retrofitting.

art. no. **200194**



MayTex-Acryl with Texgard impregnation

- material: 100% branded polyacrylic fibre (PAC), spun-dyed, weight 300g/m² ±5%
- water column (fabric water tightness) 370 mm, European standard EN 20 811
- colour fastness: grade ≥7 (against bleaching), tested acc. to standard DIN EN ISO 105-B02 (1= min., 8= max.)
- protection against UV rays: UPF 40-80, tested acc. to UV standard 801 (cf. page 41 for individual values)

- weather-proof, high and low temperature resistant
- Texgard impregnation gives effective protection against oil, grease, mildew and algae, industrial pollution, exhaust fumes and other negative environmental factors
- tested acc. to Öko-Tex standard 100
- imprinted ads: on parasol canopy and valance in durable, brilliant screen-printing quality



SA 314 010 white



SA 314 018 white/grey knopped



SA 314 008 ochre



SA 314 033 ivory



SA 314 580 white/yellow, grey knopped



SA 314 014 mandarin



SA 314 325 ecru



SA 314 583 white/yellow, grey knopped



SA 314 019 terracotta



SA 314 044 grey/white



SA 314 045 pyrite



SA 314 002 orange



SA 314 364 telegrey/white



DA 7560 light yellow



SA 314 001 cherry



SA 314 471 silver-grey/dark brown knopped



SA 314 003 yellow



SA 314 347 ruby



SA 314 344 multi-color



SA 314 038 beige



SA 314 022 rust



SA 314 763 bordeaux



SA 314 011 royal blue



SA 314 271 navy blue/black



SA 314 362 dark green



SA 314 006 sapphire



SA 314 154 black



SA 314 257 green/black



SA 314 414 navy blue

Colour Fashion Collection 26

MayTex-Acryl with Texgard impregnation



SA 314 016 dark brown



DA 8779 olive brown



DA 8203 grey basalt



DA 7559 taupe



SA 314 546 blue patina



SA 314 624 green patina

The shades shown here are not in accordance with the original ones. If requested, we will be pleased to send you a collection of original cloth samples.

MayTex-Poly

- material: 100% branded polyacrylic fibre (PAC), acrylic-coated, weight 230 g/m² ± 5%
- water column (fabric water tightness) 1000 mm, European standard EN 20811
- colour fastness: grade ≥ 7 (against bleaching), tested acc. to standard DIN EN ISO 105-B02 (1= min., 8= max.)
- protection against UV rays: UPF80, tested acc. to UV standard 801 (cf. page 41 for individual values)
- Texgard impregnation gives effective protection against oil, grease, mildew and algae, industrial pollution, exhaust fumes and other negative environmental factors
- tested acc. to Öko-Tex standard 100
- imprinted ads :on parasol canopy and valance in durable, brilliant screen-printing quality
- cleaning: easy to clean with CleanoMay13, even when mounted



MayTex-PVC

- polyester fabric, PVC-coated, weight 480 g/m² ± 5%
- water column (fabric water tightness) > 1000 mm, European standard EN 20811
- colour fastness: grade ≥ 7 (against bleaching), tested acc. to standard DIN EN ISO 105-B02 (1= min., 8= max.)
- flammability "flame retardant":
 - "B1" German standard DIN 4102-1
 - "M2" French standard NF P92-503
 - "CL2" Italian standard RF 1-75 E 3-77
- protection against UV rays: UPF80, tested acc. to UV standard 801 (cf. page 41 for individual values)
- Texgard impregnation gives effective protection against oil, grease, mildew and algae, industrial pollution, exhaust fumes and other negative environmental factors
- REACH accordant
- 100% recyclable (to be returned to May Gerätebau GmbH)
- imprinted ads :on parasol canopy and valance in durable, brilliant screen-printing quality
- cleaning: easy to clean with CleanoMay13, even when mounted

On request we can also supply parasols for indoor use with further flame retardant fabrics acc. to DIN4102-1 B1.

The shades shown here are not in accordance with the original ones. If requested, we will be pleased to send you a collection of original cloth samples.

If no colour is specified, a binding tape will be chosen to match the cloth.



The textile finishing of a parasol canopy – i.e. the awning fabric – is not only the most important and most conspicuous feature of any sun protection system, it also fulfils numerous functions:



Harmony and Inner peace
through well-balanced colours and natural shades of colour.



Joie de vivre
through vibrant colours.






Colour, light and shade-personal well-being, atmosphere and decoration

The most comprehensive range of upmarket classics and specialities. The awning fabric keeps out the light. It protects, shades, creates atmosphere and serves as an element of design and decoration. The fabric evokes a sense of harmony and creates a feeling of well-being by filtering and tinting the light and thus lending a room and its environment a very special soothing atmosphere. The impact a fabric has on a person is decisively determined by its colour, pattern and degree of translucence.




Healthy shade provider, protection from harmful UV radiation

The sun is a source of life and its light provides our bodies with essential vitamins, but it can also be very dangerous. Studies by the WHO indicate a threefold increase in skin diseases caused by harmful UV radiation. The UV Protection Factor (Sun Protection Factor) of our awning fabrics is a unit that indicates to what extent

they increase the human skin's natural protection time to direct sunlight. The length of the natural protection of human skin depends on the skin type. All the designs in our collection have been tested and certified according to the latest and most stringent standard UV 801.

	Sun Protection Factor			Effect on personal well-being	
					
				Joie de vivre	Inner peace
MayTex-Acryl UNI					
SA 314 001, SA 314 002, SA 314 003, SA 314 011, SA 314 014			80	•	
SA 314 006, SA 314 008, SA 314 016, SA 314 019 SA 314 022, SA 314 038, SA 314 044, SA 314 045, SA 314 154, SA 314 257, SA 314 271, SA 314 344, SA 314 347, SA 314 362, SA 314 364, SA 314 414, SA 314 546, SA 314 624, SA 314 763			80		•
SA 314 325, SA 314 471, SA 314 583		60			•
SA 314 010, SA 314 580, SA 314 018, SA 314 033	40				•
DA 7560		60		•	•
DA 7559, DA 8203		60			•
DA 8779	40				•
MayTex-Poly			80		

How high is your personal protection factor? Type 1-6

Type	Characteristics	Reaction of the unprotected skin to 30 mins. radiation in June	The human skin's natural protection time	Protection time of the skin when shaded by a parasol		
						
1	light skin, freckles, fair or red hair, blue or green eyes	always sunburn no tan	5-10 minutes	200-400 minutes	300-600 minutes	400-800 minutes
2	light skin, fair hair, blue or green eyes	always sunburn a slight tan	10-20 minutes	400-800 minutes	600-1200 minutes	800-1600 minutes
3	dark hair, blue eyes	slight sunburn a good tan	20-30 minutes	800-1200 minutes	1200-1800 minutes	1600-2400 minutes
4	dark skin, dark or black hair, brown eyes	no sunburn a good tan	ca. 45 minutes	approx. 1800 minutes	approx. 2700 minutes	approx. 3600 minutes
5	dark skin, black hair, dark eyes	no sunburn	ca. 60 minutes	approx. 2400 minutes	approx. 3600 minutes	approx. 4800 minutes
6	black skin, black hair, black eyes	no sunburn	ca. 90 minutes	approx. 3600 minutes	approx. 5400 minutes	approx. 7200 minutes

Product properties of awning fabrics

Parasol cloths are high-performance products. However, given the requirements that have to be met in the field of environmental protection, there is a limit to the degree of perfection that can be achieved in spite of present-day state-of-the-art production and processing. As a result, customers may occasionally lodge complaints regarding certain features that can appear on the cloth. Such features neither alter the value of the product, nor do they impair its usability in any way. As we feel committed to providing full consumer information and thus hope to avoid irritation or dissatisfaction, we would like to draw your attention to the following features:

Crease marks

Crease marks may appear during the production process or when folding the parasol fabric. When held against the light, cloths – particularly those of a light colour – may appear to have a dark streak in the crease.

Chalk effect

Light chalk-like stripes may arise during the processing of materials. Although the greatest of care is taken, they cannot always be totally avoided. They should, however, not be cause for complaint.

Water/rain resistance

Acrylic awnings are impregnated with a water-repelling finish and can withstand short periods of light rainfall if treated with proper care. During lengthy periods of rainfall or heavy downpours, however, the parasol should remain closed in order to prevent any material damage. If the cloth becomes wet, the awning should be opened again as soon as possible to allow it to dry.

Abrasion marks

In the course of time abrasion may weaken the canopy fabric and thus impair its quality. This can be avoided by pulling the cloth between the spokes when closing the parasol and then securing it with a strap to prevent flapping.

Cleaning instructions

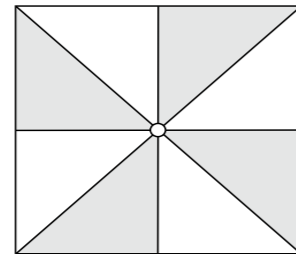
Stains can be cleaned off with a soft brush and Cleano-May13. Rinse well afterwards with clean water to remove all detergents from the fabric. A high-pressure hose may be used for large-area surfaces (max. 30°C, max. 30 bar, min. distance from canopy covering 30 cm., cleaner: CleanoMay13).

Characteristic features of our sewing yarn:

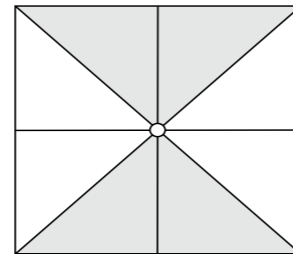
- high tensile strength
- optimum abrasion resistance
- well-balanced elongation property
- high thermal resilience
- good light and weather fastness
- tested acc. to Öko-Test Standard 100

Canopy covering

Canopy covers can be manufactured from the range of cloths described. If requested, we can also supply canopies with alternating segment colours (1/4 division or 1/8 division).



1/8-division



1/4-division

Bordering

The canopy covering is trimmed with high-quality awning acrylic edge binding. If not specified otherwise, the border will be chosen to match the colour of the canopy fabric.



Please feel free to contact us for additional information.