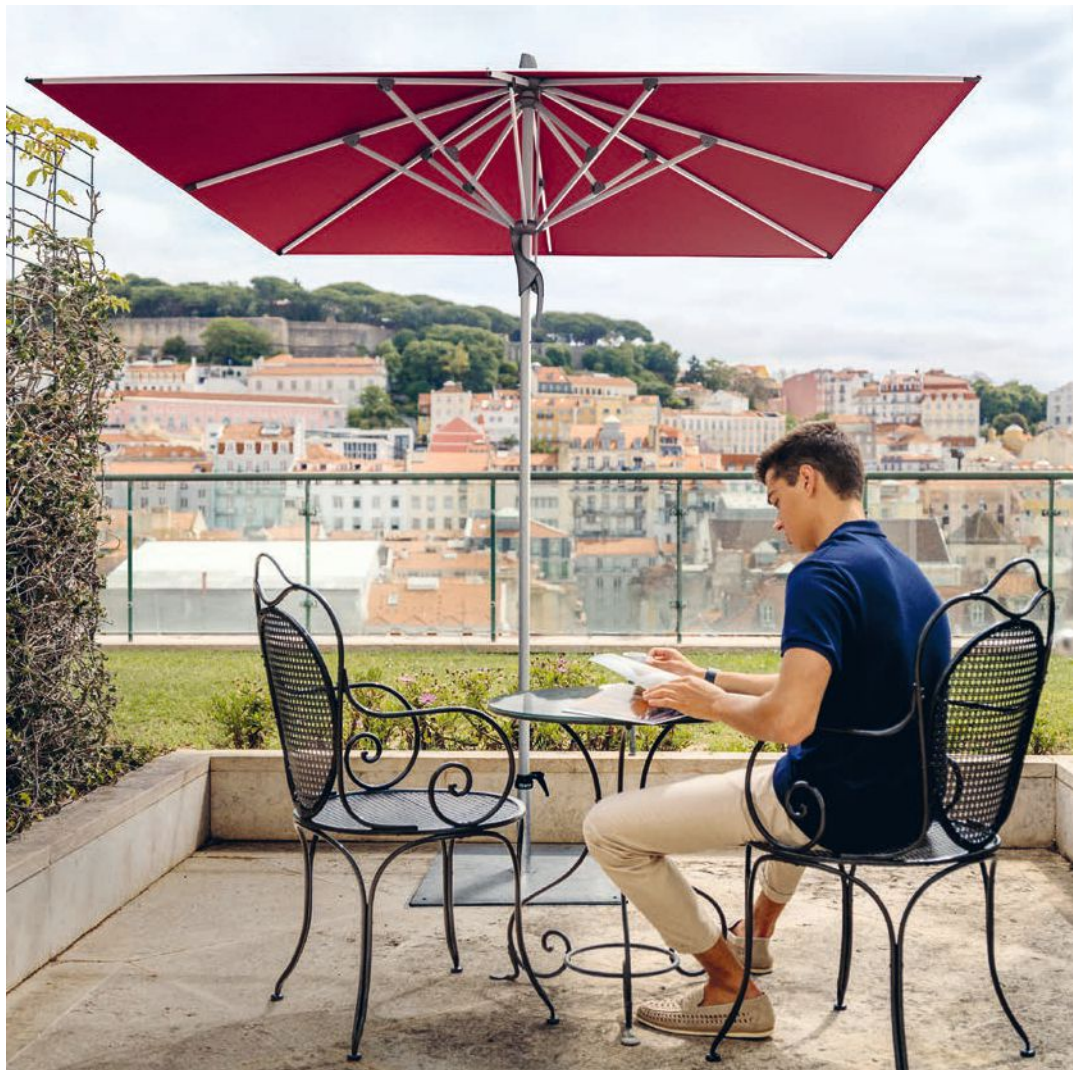


NEW

## FORTINO® Riviera

The compact, wind-resistant one



**Glatz** 

# FORTINO® Riviera



## Material and technology

<b>Frame:</b>	8-part made from aluminium, anodized natural, 100 % corrosion-resistant, screws and rivets made of stainless steel, slide and crown made of fibreglass reinforced plastic, with two-part profiled pole 38.4 × 2 mm, counter-rotating opening principle for easy opening.
<b>Frame colour:</b>	anodized natural
<b>Frame shape:</b>	round or square
<b>Shade cover: *</b>	self-tautening thanks to the flexible strut ends, available in material class 5 (100 % polyacrylic approx. 300 g/m <sup>2</sup> ), material class 4 (100 % polyester approx. 250 g/m <sup>2</sup> )
<b>Flounce:</b>	not available
<b>Protective cover:</b>	optional

\* This model is also available in material class 2: Polyester, UV protection > 98%



Application



Fixations

FORTINO® Riviera,  
© Int. Design reg.



# Assortment

Nominal size                      Order no.  
 Frame anodized natural

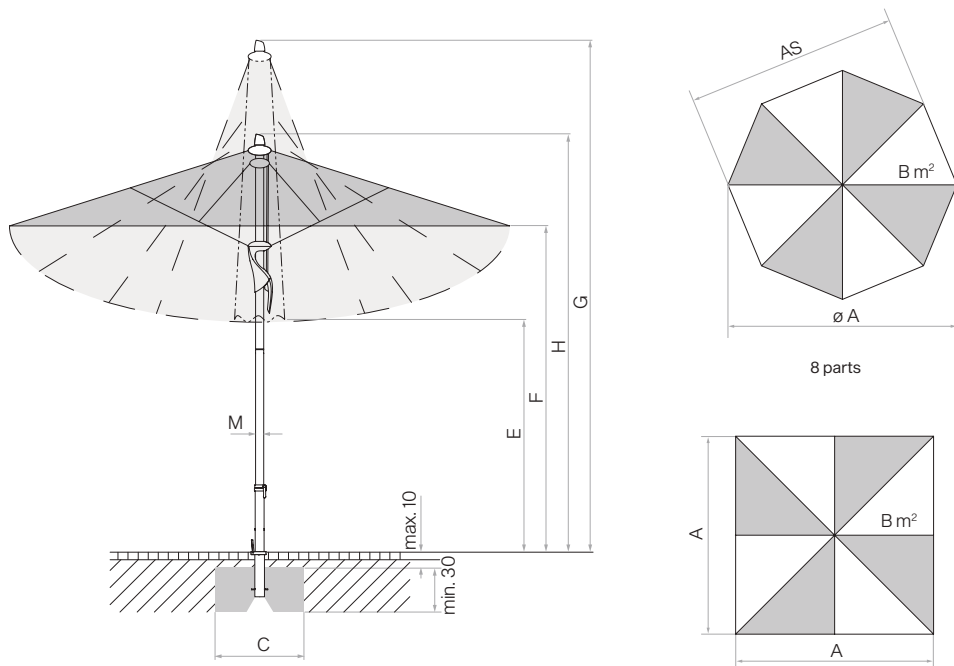
○	without flounce
Ø 250 <sup>§</sup>	310 00 250 171
Ø 300 <sup>§</sup>	310 00 300 171

□	
200×200 <sup>§</sup>	310 00 201 171
240×240 <sup>§</sup>	310 00 241 171

Nominal size	Lateral distance	Pole Ø	Area covered	Height closed	Clear headroom	Total height	Height open	Foundation	Minimum weight for base	max. wind speed open perm.
cm	cm	cm	m <sup>2</sup>	cm	cm	cm	cm	cm	kg	km/h (wind force)
A	AS	M	B	E	F	G	H	C		
Ø 250 <sup>§</sup>	230	3.8	4.4	150	205	285	240	60×60	55	80 (9)
Ø 300 <sup>§</sup>	275	3.8	6.4	140	205	300	245	70×70	70	60 (7)
200×200 <sup>§</sup>	-	3.8	4.0	135	205	285	240	60×60	55	70 (8)
240×240 <sup>§</sup>	-	3.8	5.8	115	205	295	245	70×70	70	60 (7)

<sup>§</sup> 8 parts

The listed measures represent extrapolated average values that may be slightly different on the product (± 2 % ± 5 cm).  
 Height dimensions are based on ground socket BT. These vary slightly depending on the type of base. Except for steel base minus 5 cm.  
 The max. wind speed limits as per our separate list apply only in the presence of a fix ground anchorage.  
 In the presence of several parasols, the minimum distance between one parasol and another and between parasols and walls shall be 20 cm.



Loose cover max. 10 cm, concrete thickness min. 30 cm (pay attention to frost depth), Guarantee water drainage

8 parts

## Accessories

<b>Fixing option Z (support tube Z absolutely necessary)</b>		<b>Order no.</b>
1	Concrete base Z, 55 kg, Ø 60 × 11 cm	350 01 109 528
	1 pallet (20 pieces) concrete base Z, 55 kg, Ø 60 × 11 cm	350 01 109 534
1	Concrete base Z, 70 kg, Ø 75 × 9 cm	350 01 109 527
2	<sup>3</sup> Granite base Z, 55 kg, 55 × 55 × 9 cm, natural stone, with castors and retractable handle	350 01 109 445
3	Steel base Z, 40 kg, 58.5 × 58.5 × 2 cm, galvanised steel	350 01 100 210
	Add-on weight 30 kg, 57.5 × 57.5 × 1.7 cm, galvanised steel	350 01 100 310
4	Wall bracket Z, 180 mm, galvanised steel	350 01 205 000
5	Support tube Z, Ø 35 / 38 – 39 mm, galvanised steel	350 01 201 010
5	Support tube Z, Ø 35 / 38 – 39 mm, high-grade steel 1.4301 / 304	350 01 201 100
<b><sup>3</sup> Base with castors Z (support tube Z absolutely necessary)</b>		
6	Base with castors Z, 55 kg, 65 × 65 × 11 cm, cast concrete decor	350 01 102 900
	1 pallet (5 pieces) base with castors Z, 55 kg, Ø 65 × 65 × 11 cm, cast concrete decor	350 01 102 950
7	Base with castors Z, 90 kg, 80 × 80 × 12.5 cm, cast concrete decor	350 01 102 800
	1 pallet (5 pieces) base with castors Z, 90 kg, Ø 80 × 80 × 12.5 cm, cast concrete decor	350 01 102 850
<b>Fixing option BT (Connection tube BT absolutely necessary)</b>		
8	Ground socket BT, galvanised steel	350 01 206 100
9	Connection tube BT, Ø 35 / 38 – 39 mm, galvanised steel	350 01 206 210
<b>Protective cover made of coated, tear-resistant polyester fabric</b>		
10	Protective cover with zip and rod	350 01 609 980
	10 pieces, protective cover with zip and rod	350 01 609 974
<b>Miscellaneous items</b>		
11	OSYRION Spot LED battery-powered light, set of 2, with remote control, including charger	350 01 563 000
12	OSYRION Spot LED battery-powered light, set of 4, with remote control, including charger	350 01 563 100

<sup>3</sup> only suitable for smooth, joint free surface coverings



1      2      3      4      5      6      7      8      9      10



11      12





Glatz AG  
Parasols  
2022 Season

[glatz.com](https://www.glatz.com)

