

SOMBRANO® S⁺

The art of engineering for 360° shade



Glatz 

SOMBRANO® S+



Material and technology

Frame: 8 struts made of aluminium, with crank mechanism, (self-locking on both sides) and tilting strut for effortless tilting of the shade roof on both sides up to 54 degrees. The mast profile is oval 66 × 95 × 3 mm. M4 turnable ball-bearing base, powder-coated cast steel, is included. With a hand crank.

Frame colour: anodized natural or anthracite powder-coated

Frameform: round, rectangular or square

Shade cover: * self-tautening thanks to the flexible strut ends, available in material class 5 (100 % polyacrylic approx. 300 g/m²), material class 4 (100 % polyester approx. 250 g/m²)

Flounce: not available

Protective cover: included in the standard equipment

* This model is also available in material class 2: Polyester, UV protection > 98%



Application



Fixations

SOMBRANO® S+
Int. Patents reg. © Int. Design reg.



Swiss
Design

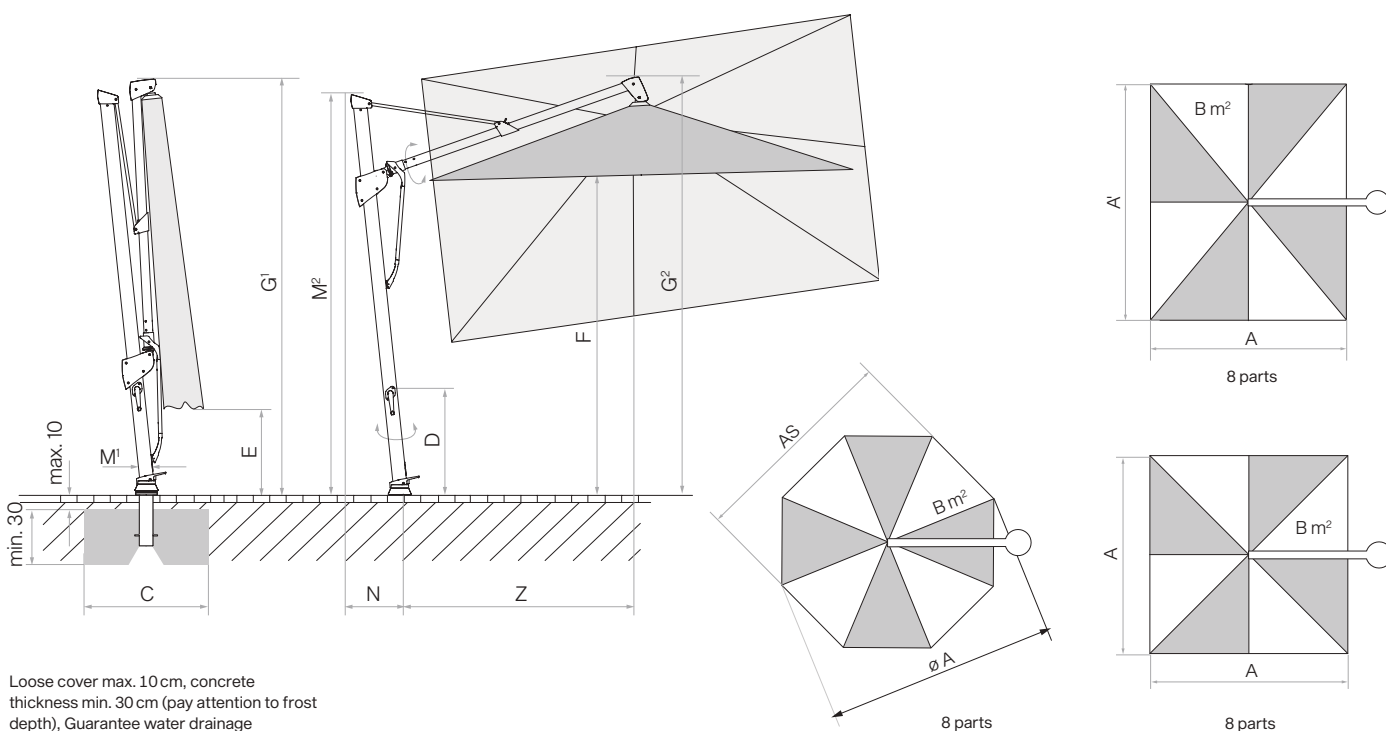
Assortment

Nominal size	Order no. Frame anodized natural	Order no. Frame anthracite
○	without flounce	without flounce
Ø 350 ⁸	085 00 350 171	085 00 350 301
Ø 400 ⁸	085 00 400 171	085 00 400 301
□		
400×300 ⁸	085 00 402 171	085 00 402 301
□		
300×300 ⁸	085 00 310 171	085 00 310 301
350×350 ⁸	085 00 351 171	085 00 351 301

Nominal size	Lateral distance	Mast Ø	Area covered	Crank height	Height closed	Clear headroom	Tolerance clear headroom	Total height/open	Height of mast	Overhang at the back	Length of free-arm	Foundation	Minimum weight for base	max. wind speed open perm.
cm	cm	cm	m ²	cm	cm	cm	cm	cm	cm	cm	cm	cm	kg	km/h (Bft.)
A	AS	M'	B	D	E	F		G ¹ /G ²	M'	N	Z	C		
Ø 350 ⁸	325	6.6×9.5	9.6	69	90	205	9.1	285/285	275	33	165	60×60	120	45 (6)
Ø 400 ⁸	370	6.6×9.5	12.6	69	85	210	9.2	300/295	275	33	185	60×60	180	35 (5)
400×300 ⁸⁻		6.6×9.5	12	69	35	210	9.2	300/295	275	33	185	60×60	180	35 (5)
300×300 ⁸⁻		6.6×9.5	9	69	55	215	9.3	285/285	275	33	165	60×60	120	45 (6)
350×350 ⁸⁻		6.6×9.5	12.2	69	40	215	9.3	300/295	275	33	185	60×60	180	35 (5)

⁸ 8 parts

The listed measures represent extrapolated average values that may be slightly different on the product (± 2% ± 5 cm). The height dimensions are based on the ground socket M4. With the base M4, 120 kg these vary by plus 11.5 cm and with the base M4, 180 kg by plus 15.5 cm. The max. wind speed limits as per our separate sheet apply only if the parasol canopy is in a horizontal position and if there is a fix ground anchorage. In the presence of several parasols, the minimum distance between one parasol and another and between parasols and walls shall be 20 cm.



Loose cover max. 10 cm, concrete thickness min. 30 cm (pay attention to frost depth), Guarantee water drainage

Accessories

³ Base with castors M4 (weight set absolutely necessary)		Order no.
1	Base frame with castors M4, 150 kg, 80×80×14 cm, galvanised steel	350 01 103 000
	Cast concrete decor weights set, 4 pieces 25101104500 (approx. 125 kg) for 350 01 103 000	350 01 103 100
Fixing option M4		
2	Base M4, 120 kg, (for 8 plates 40×40×4 cm), 91×91×11.5 – 15.5 cm, galvanised steel (adjustable and levellable) (price without plates)	350 01 108 235
2	Base M4, 180 kg, (for 12 plates 40×40×4 cm), 91×91×15.5 – 19.5 cm, galvanised steel (adjustable and levellable) (price without plates)	350 01 108 335
3	Cover for M4 base, 120 kg, 96×96×11.5 cm, plastic ABS coated, anodized aluminium look	350 01 100 617
4	Cover for M4 base, 120 kg, 96×96×11.5 cm, plastic ABS coated, anthracite	350 01 100 630
3	Cover for M4 base, 180 kg, 96×96×15 cm, plastic ABS coated, anodized aluminium look	350 01 100 717
4	Cover for M4 base, 180 kg, 96×96×15 cm, plastic ABS coated, anthracite	350 01 100 730
	Set of castors for base M4 (maximum weight 240 kg), Ø 5 cm, H= 5.5 cm, galvanised steel	350 01 100 500
5	³ Granite base M4, 120 kg, 90×90×17 cm, natural stone with castors	350 01 109 475
6	Ground socket M4, galvanised steel	350 01 226 510
7	Mounting plate M4 / M8, 30×30×1.5 cm, galvanised steel	350 01 226 921
8	Mounting plate M4 special, for installation height 50 – 149 mm, galvanised steel	350 01 226 932
9	Mounting plate M4 special, for installation height 150 – 350 mm, galvanised steel	350 01 226 930
	Mounting plate M4 for isolated grounds, installation height made to measure, high-grade steel 1.4301 / 304	350 01 229 730
10	Wall console M4, extension 480 mm, galvanised steel	350 01 229 405
11	Wall console M4, extension 100 mm, galvanised steel	350 01 229 410
Slabs for base M4		
	Slab set, 8 pieces, 40×40×4 cm, (ca. 110 kg), concrete	350 01 226 908
	Slab set, 8 pieces, 40×40×4 cm, (ca. 115 kg), 4 pieces concrete, 4 pieces in granite-look	350 01 226 909
	Slab set, 12 pieces, 40×40×4 cm, (ca. 165 kg), concrete	350 01 226 907
	Slab set, 12 pieces, 40×40×4 cm, (ca. 170 kg), 8 pieces concrete, 4 pieces in granite-look	350 01 226 906
Protective cover made of coated, tear-resistant polyester fabric		
12	Protective cover with zip and rod for the Sombrano, Ø 350, 300×300	350 01 221 492
	5 pieces, protective cover with zip and rod for the Sombrano, Ø 350, 300×300	350 01 221 493
12	Protective cover with zip and rod for the Sombrano, Ø 400, 400×300, 350×350	350 01 221 502
	5 pieces, protective cover with zip and rod for the Sombrano, Ø 400, 400×300, 350×350	350 01 221 503
Miscellaneous items		
13	OSYRION Spot LED battery-powered light, set of 2, with remote control, including charger	350 01 563 000
14	OSYRION Spot LED battery-powered light, set of 4, with remote control, including charger	350 01 563 100

³ only suitable for smooth, joint free surface coverings



1 2 3 4 5 6 7 8 9 10



11 12 13 14





Glatz AG
Parasols
2022 Season

[glatz.com](https://www.glatz.com)

