



Vertical cassette blind

markilux 876 / 876 tracfix

The perfect sun protection solution which also maintains your privacy – the tensioned vertical cassette blind that can shade large surface areas.



reddot design award
winner 2017



markilux.com

markilux

safe timeless beautiful

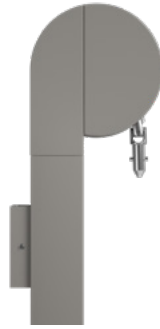
01 **Product characteristics**

Wind resistance class 2 | 3 (depending on size)
Beaufort 5 → 28–37 km/h → 7.5–10.4 m/s → 17–23 mph
Beaufort 6 → 38–48 km/h → 10.5–13.4 m/s → 24–30 mph

02 side view, motor driven,
03 flat track bracket

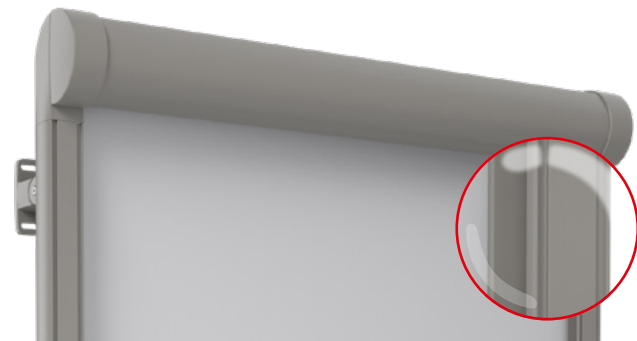
side view, manual operation
flat track bracket

04



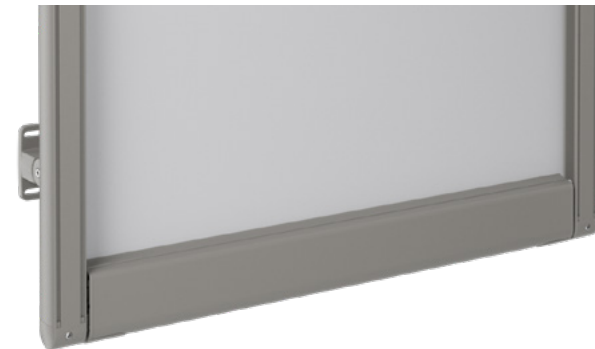
05
06
07
08 tracfix cover guidance – no gap between cover and track ¹⁾
09 track bracket 80 mm

reveal fixture with angled fixture bracket (fixture type 15)



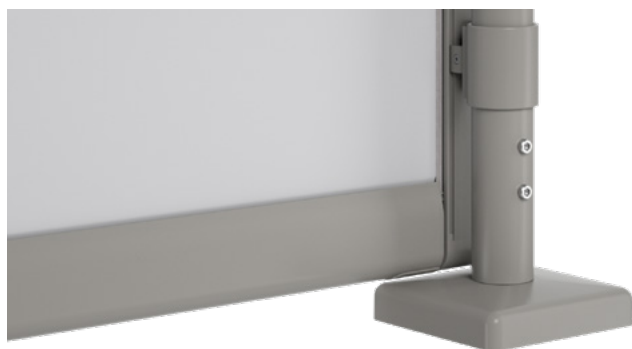
10
11
12
13
14 front profile finishes flush with the end of the guide tracks

fitted to a round markilux syncra post
as seen from inside



15
16
17
18
19
20 fitted to a markilux pergola 110 tracfix post
viewed from outside

fitted to a round post of the markilux construct



1) optional configuration

Product characteristics

Description

- vertical cassette blind with attractively shaped, round cassette and harmoniously matching, angular guide tracks. The ingenious tensioning system and robust construction mean that areas of up to 24 m² can be shaded.

Special features

- fully encompassing cassette that protects the cover perfectly
- the tried and tested tensioning system – with drive belts and integrated gas pistons – delivers optimum cover tension in any phase of extension
- tracfix optional: the continuous lateral cover guidance system that leaves no gap between the cover and guide tracks – gives improved wind stability and a cleaner appearance
- panorama window optional, the transparent window made of a special foil that makes a perfect view both in and out possible – for both private and commercial applications
- the broad range of brackets with patented clip-on system offers individual fixture solutions, from discrete to conspicuous
- can be combined perfectly with other markilux awning systems

Dimensions

- single unit: 60–600 cm in width, maximum unit height 600 cm (depending on the width)
- maximum dimensions, width × unit height: 400 × 600 cm / 500 × 450 cm / 550 × 400 cm / 600 × 350 cm (without tracfix)
- maximum dimensions, width × unit height: 550 × 400 cm / 600 × 350 cm (with tracfix)
- intermediate sizes are available

Roller tube and lateral bearings

- round roller tube Ø 85 mm with keyway, galvanised steel – excellent stability, ensures near perfect cover performance even at the largest widths
- the roller tube bearing is made of stainless steel

Awning profiles

- extruded aluminium, in façade quality, powder coated
- cassette profile in two pieces, round, Ø 130 mm
- guide tracks angular, rounded edges, width × height 52 mm × 52 mm
- front profile rounded on the underside, smooth appearance, height × depth 110 mm × 52 mm

Side caps

- the cassette end caps are made of die-cast aluminium, in two parts, powder coated
- the front profile end caps are made of high-quality plastic, powder coated

Fixture brackets

- extruded aluminium, powder coated
- self-supporting cassette attached to the top of the angled guide rails
- brackets for the guide tracks: face fixture, reveal fixture, post fixture (post of the markilux pergola 110 tracfix / markilux syncra / markilux construct)
- standard bracket heights: 20 mm / 85 mm / 105 mm / 145 mm (bespoke heights can be ordered)

01 **Frame colours**

02 markilux frame colours without surcharge

03 traffic white RAL 9016



metallic aluminium RAL 9006



grey brown, similar to RAL 8019



04

05 off-white textured finish, 5233 ¹⁾



stone grey metallic, 5215 ¹⁾



anthracite metallic, 5204 ¹⁾



11 Havana brown textured finish, 5229 ¹⁾



16 **Non-standard powder-coated finish**

Bespoke frame colours at a surcharge – matt, metallic and pearl finishes as well as other colour ranges (DB, Tiger etc.) on request. All frame colours are available at a surcharge with enhanced corrosion protection.

1) textured finish

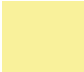
Colours may differ slightly from those depicted in both hue and finish.


Dimensions and configuration options

Single unit

		Blind fixture width										Minimum fixture width	
		150	200	250	300	350	400	450	500	550	600	Hard-wired motor	Radio-contr. motor
Order dimensions		60	151	201	251	301	351	401	451	501	551	60 / 69 ¹⁾	70 / 79 ¹⁾
		150	200	250	300	350	400	450	500	550	600		
Overall width		+ 5.4											
AH	150 ¹⁾												
	200 ¹⁾												
	250 ¹⁾											2)	
	300 ¹⁾								2)	2)	2)		
	350 ¹⁾						2)	2)	2)	2)	2)		
	400 ¹⁾	2)	2)	2)	2)	2)	2)	2)	2)	2)			
	450	2)	2)	2)	2)	2)	2)	2)	2)				
	500	2)	2)	2)	2)	2)	2)						
	550	2)	2)	2)	2)	2)	2)						
600	2)	2)	2)	2)	2)	2)							

- 1) = tracfix (optional). Only available with motor drive
- 2) = wind resistance class 2, all other sizes meet wind resistance class 3
- 3) = from a unit height of 281 cm
- AH = unit height

 = 2 brackets per track

 = 3 brackets per track

dimensions in cm

Operation	standard	optional
crank handle, outside	✓ ¹⁾	—
crank handle, operation from the rear	—	—
crank handle, operation from inside the building	—	—
hard-wired motor	✓ ²⁾	✓
radio-controlled motor io, 868 MHz	—	✓
radio-controlled motor RTS, 433 MHz	—	✓

- 1) not available in tracfix units
- 2) in tracfix units


Coupled blind
not available

Optional accessories
 tracfix - the cover is held in the guide tracks by a zip
 flexible panorama window, only in tracfix units
 automatic controls (light, wind, rain)

N.B! Important background information can be found in the chapter "Optional Accessories".

	Awning cover	fabric range no.	standard	optional	blind fixture width	unit height	cover manufacture
01	sunvas	301.. / 309..-315..	✓	—		≤ 450	LN
02						≤ 400	LN
03	sunsilk	324.. / 325.. / 328.. / 369..	✓	—		≤ 450	LN
						≤ 400	LN
04	sunvas (250 cm)	31008, -09, -13, -16, -18, -25, 27, -28, -31, -36, -37, -57, -58, 31109, -14, -17	✓	—	≤ 250		N
					≤ 400	≤ 243	N
					≤ 400	≥ 244	QN
05	sunvas (320 cm)	31008, -09	✓	—	≤ 320		N
					≤ 400	≤ 313	N
06					≤ 400	≥ 314	QN
					≤ 400	≤ 243	N
07	transolair	338..	—	✓	≤ 400	≥ 244	QN
					≤ 400	≤ 243	N
08					≤ 400	≥ 244 ≤ 400	QN
					≥ 401 ≤ 550	≤ 400	LN
09					≤ 600	≤ 350	LN
	transolair (120 cm)	339..	—	✓		≤ 450	LN
10						≤ 400	LN
	perfortex	331.. / 332..	✓	—		≤ 400	LN
11					≤ 550	≤ 400	LN
					≤ 600	≤ 350	LN
12					≤ 400	≤ 243	N
	vuscreen Alu	317..	—	✓	≤ 400	≥ 244 ≤ 400	QN
13					≥ 401	≤ 250	N
					≤ 400	≤ 243	N
14					≤ 400	≥ 244 ≤ 400	QN
	Fibreglass Screen Fabrics	272..	—	✓	≥ 401	≤ 250	N
15						≤ 249	N
						≥ 250 ≤ 400	QN
16					≤ 185	≤ 400	N
					≤ 400	≤ 194	N
17	Soltis Perform 92	92-20..	—	✓	≥ 186 ≤ 400	≥ 195 ≤ 400	QN
18					≤ 185	≤ 400	N
					≤ 400	≤ 194	N
					≥ 186 ≤ 400	≥ 195 ≤ 400	QN
19	perla	370..	—	—			
20	perla FR	374.. / 375..	—	—			

dimensions in cm

 = tracfix

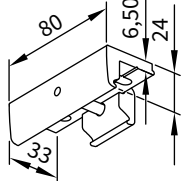
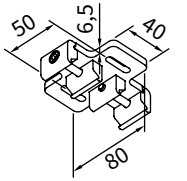
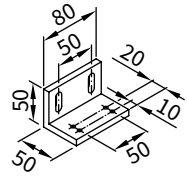
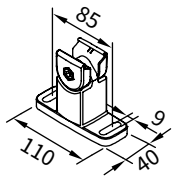
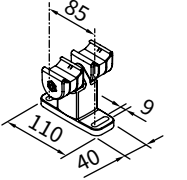
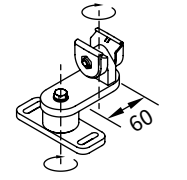
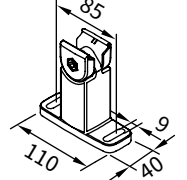
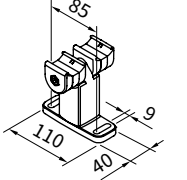
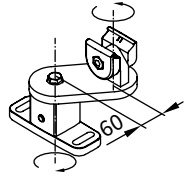
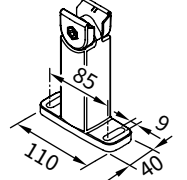
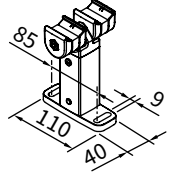
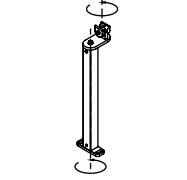
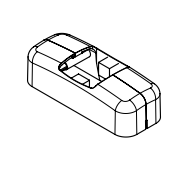
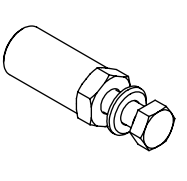
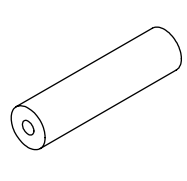
N = seamless

LN = vertical seam(s), panel width usually 120 cm

QN = horizontal seam(s)

dimensions in cm

Fixtures, fittings and accessories

 <p>flat track bracket</p> <p>78548.</p>	 <p>double track bracket flat</p> <p>73627.</p>	 <p>angled bracket for bearing / motor side</p> <p>50 × 50 × 8 × 80 mm</p> <p>78719.</p>
 <p>track bracket with adjustable head</p> <p>80 mm</p> <p>73624.</p>	 <p>double track bracket with adjustable head</p> <p>80 mm</p> <p>73631.</p>	 <p>universal track bracket</p> <p>80 mm</p> <p>73629.</p>
 <p>track bracket with adjustable head</p> <p>100 mm</p> <p>76046.</p>	 <p>double track bracket with adjustable head</p> <p>100 mm</p> <p>73634.</p>	 <p>universal track bracket</p> <p>100 mm</p> <p>76054.</p>
 <p>track bracket with adjustable head</p> <p>140 mm</p> <p>76048.</p>	 <p>double track bracket with adjustable head</p> <p>140 mm</p> <p>73636.</p>	 <p>universal track bracket with adjustable head</p> <p>140-500 mm</p> <p>76053.</p>
 <p>decorative cap for a square track brackets</p> <p>standard accessory for bracket</p> <p>2 × 76718.</p>	 <p>bolt reduction assembly</p> <p>M10 → M6 / SW 13</p> <p>30 mm length</p> <p>pack 10 pcs</p> <p>8440381</p>	 <p>stand-off fixing tube</p> <p>30 × 10 × 1000 mm</p> <p>N.B! max. stand-off distance 120 mm</p> <p>701668</p>

01
02
03
04
05
06
07
08
09
10
11
12
13
14
15
16
17
18
19
20

dimensions in mm

01 **Fixture types**

02

03

04

05

06

07

08

09

10

11

12

13

14

15

16

17

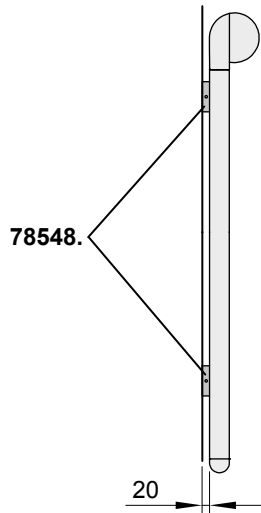
18

19

20

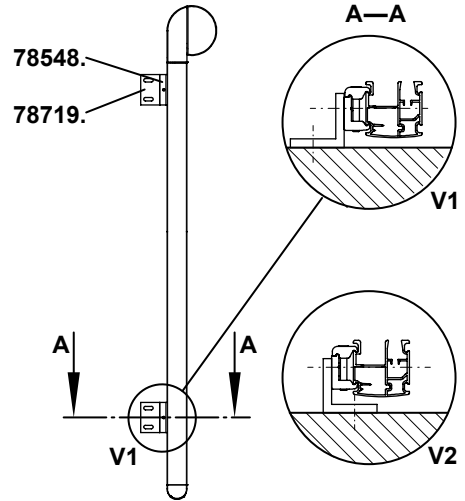
10

clearance 20 mm



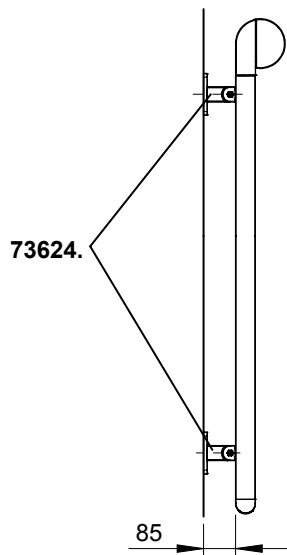
15

by angled bracket to the side



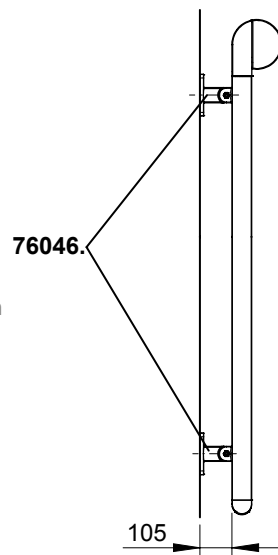
20

clearance 85 mm



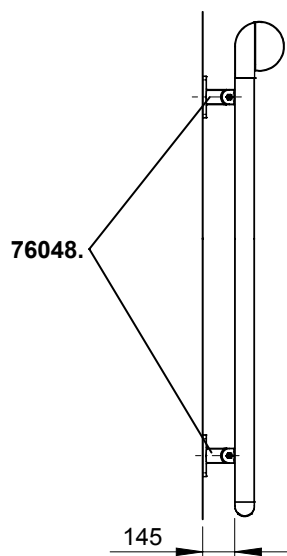
21

clearance 105 mm



22

clearance 145 mm

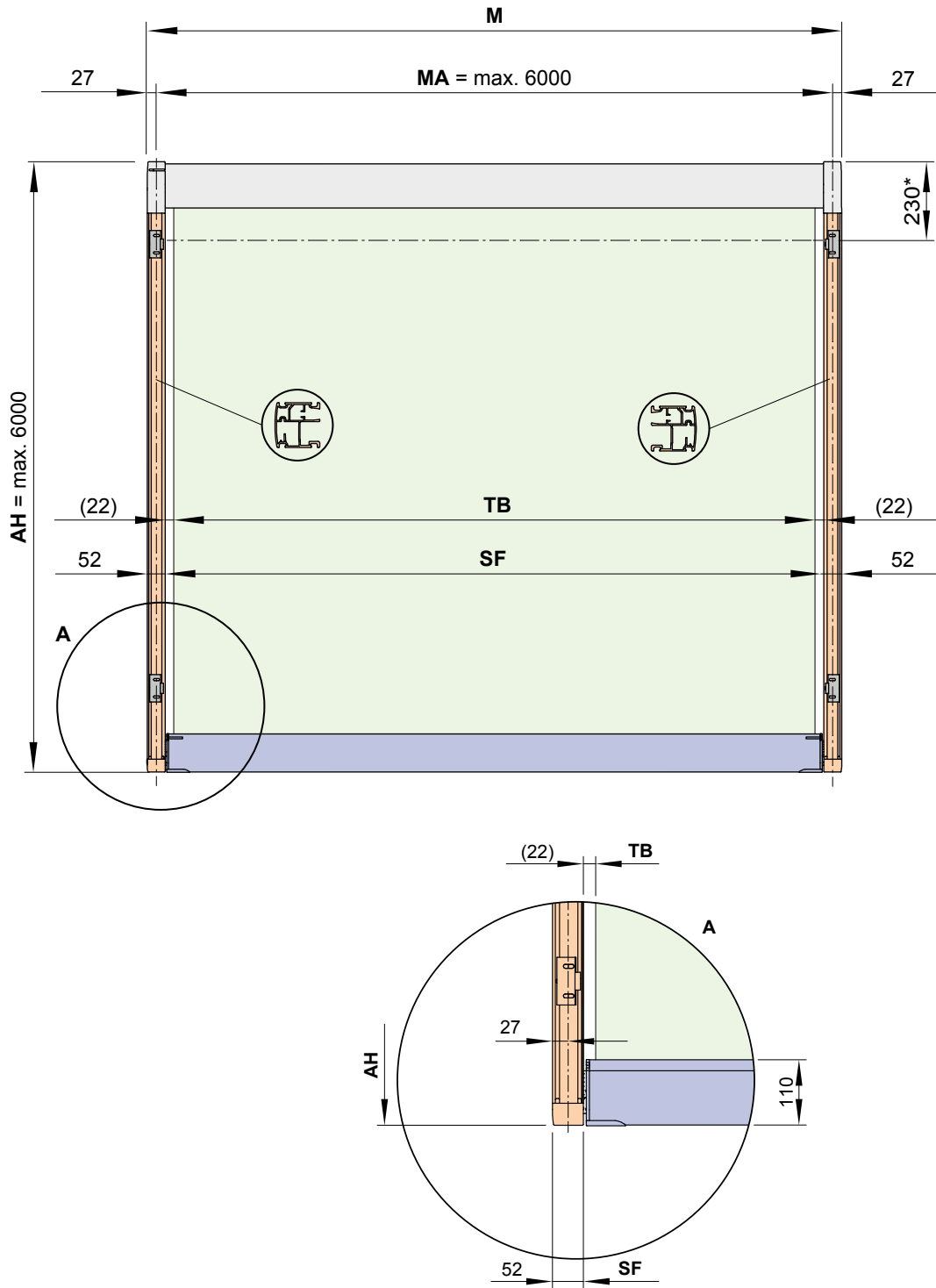


Individual choice of brackets: see "Fixtures (optional)"
When unit height > 300 cm always with 3 brackets per guide track.

dimensions in mm

Dimension overview

Single unit

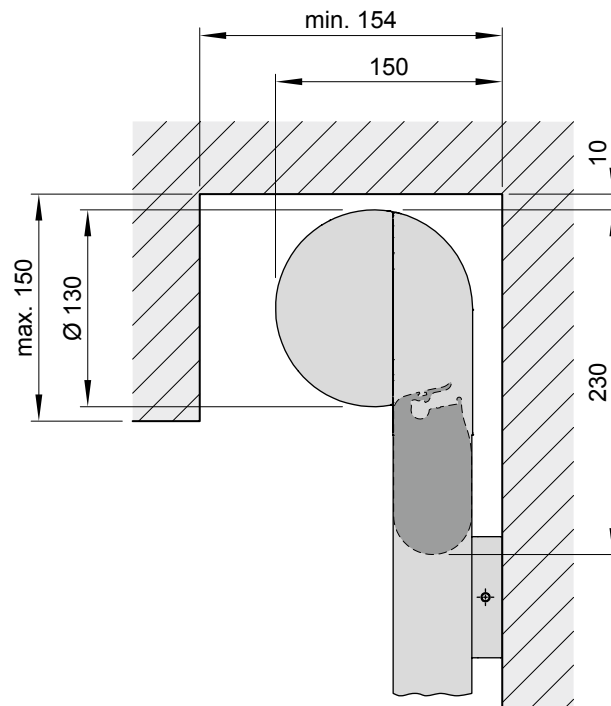


- * = height of cassette including front profile, retracted
- (...) = gap between cover and guide track (non-tracfix units)
- AH** = *order dimension* = unit height
- M** = overall blind width
- MA** = *order dimension* = blind fixture width = fixture width
- SF** = visible cover (in tracfix systems)
- TB** = cover width

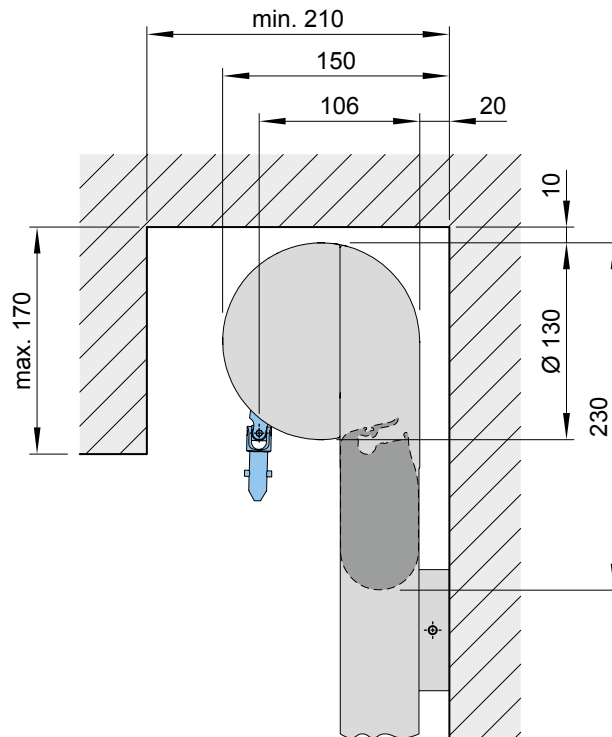
dimensions in mm

Dimension overview

Top window well fixture, motor drive



Top window well fixture, manual operation



dimensions in mm

Dimension overview fixture types 10, 15

Fixtures, fittings and accessories

flat track bracket

78548.

double track bracket flat

2 single units

73627.

angled bracket for bearing / motor side

50 × 50 × 8 × 80 mm

78719.

accessories for two angled brackets 78719.

787211

bolt reduction assembly

M10 → M6 / SW 13

30 mm length

pack 10 pcs

8440381

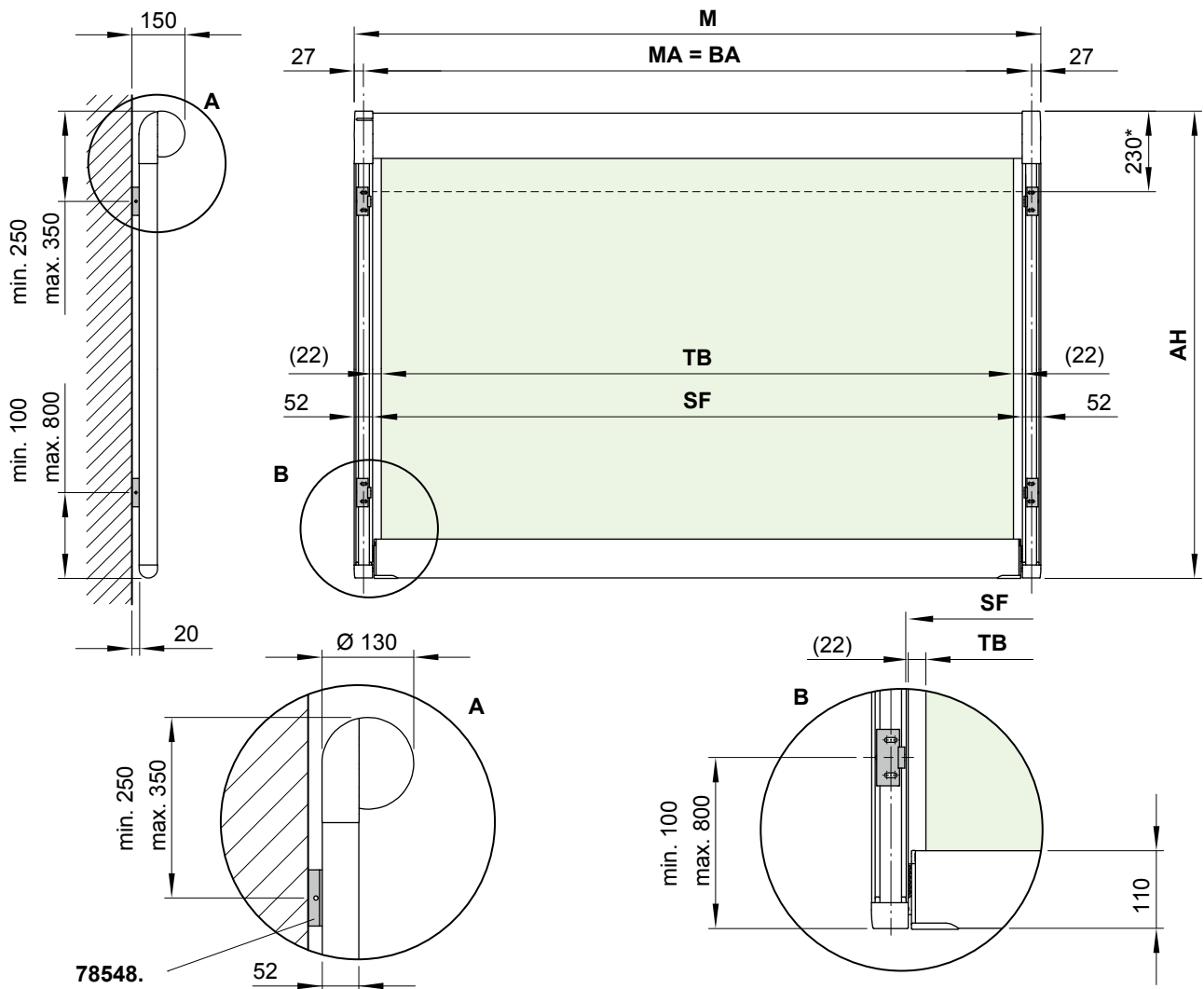
stand-off fixing tube

30 × 10 × 1000 mm

N.B! max. stand-off distance 120 mm

701668

Fixture type 10, as seen from inside



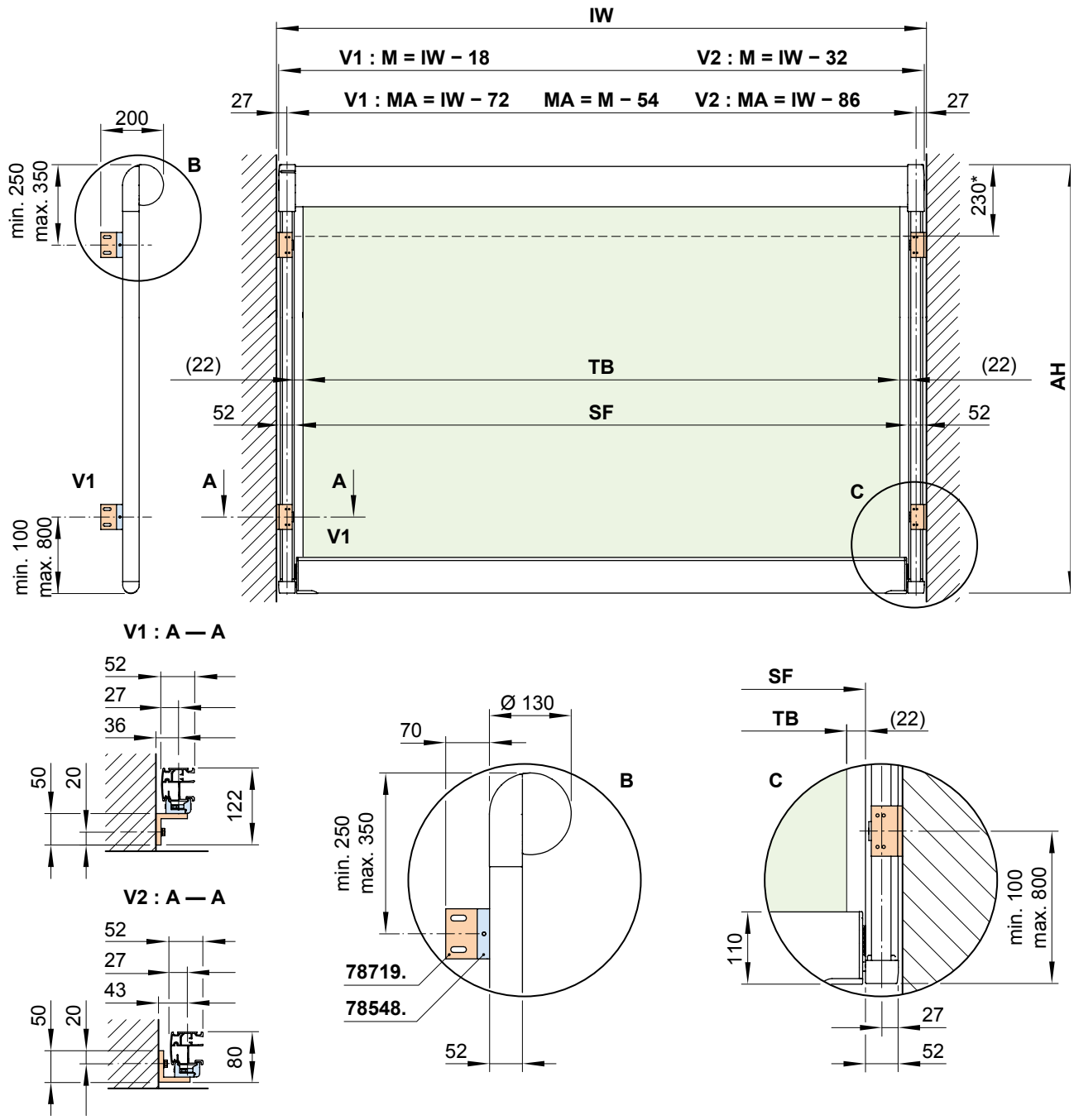
- * = height of cassette including front profile, retracted
- (...) = gap between cover and guide track (non-tracfix units)
- AH = *order dimension* = unit height
- BA = width between fixture points

- M = overall blind width = MA + 54 mm
 - MA = *order dimension* = blind fixture width = fixture width
 - SF = visible cover area
 - TB = cover width
- dimensions in mm

01
02
03
04
05
06
07
08
09
10
11
12
13
14
15
16
17
18
19
20

Dimension overview fixture types 10, 15

Fixture type 15, as seen from inside

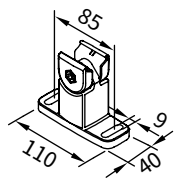


- * = height of cassette including front profile, retracted
- (...) = gap between cover and guide track (non-tracfix units)
- AH = unit height
- IW = reveal width
- M = overall blind width = $MA + 54$ mm
- MA = *order dimension* = blind fixture width = fixture width
- SF = visible cover area
- V1, V2 = variants

dimensions in mm

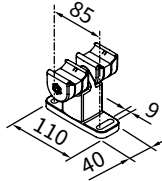
Fixtures, fittings and accessories – fixture types 20, 21, 22

Fixtures, fittings and accessories – fixture type 20



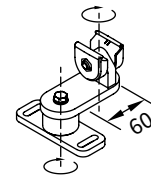
track bracket
with adjustable head
80 mm

73624.



double track bracket
with adjustable head
80 mm

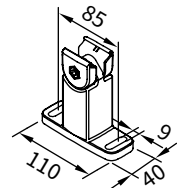
73631.



universal
track bracket
80 mm

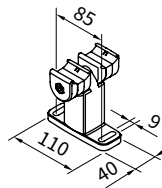
73629.

Fixtures, fittings and accessories – fixture type 21



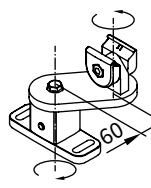
track bracket
with adjustable head
100 mm

76046.



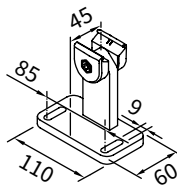
double track bracket
with adjustable head
100 mm

73634.



universal
track bracket
100 mm

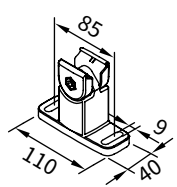
76054.



track bracket
with adapter plate
60 mm

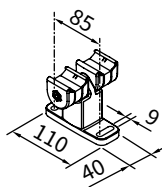
76199.

Fixtures, fittings and accessories – fixture type 22



track bracket
with adjustable head
140 mm

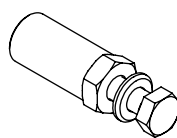
76048.



double track bracket
with adjustable head
140 mm

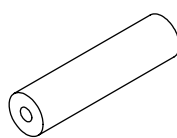
73636.

Accessories



bolt reduction assembly
M10 → M6 / SW 13
30 mm length
pack 10 pcs

8440381



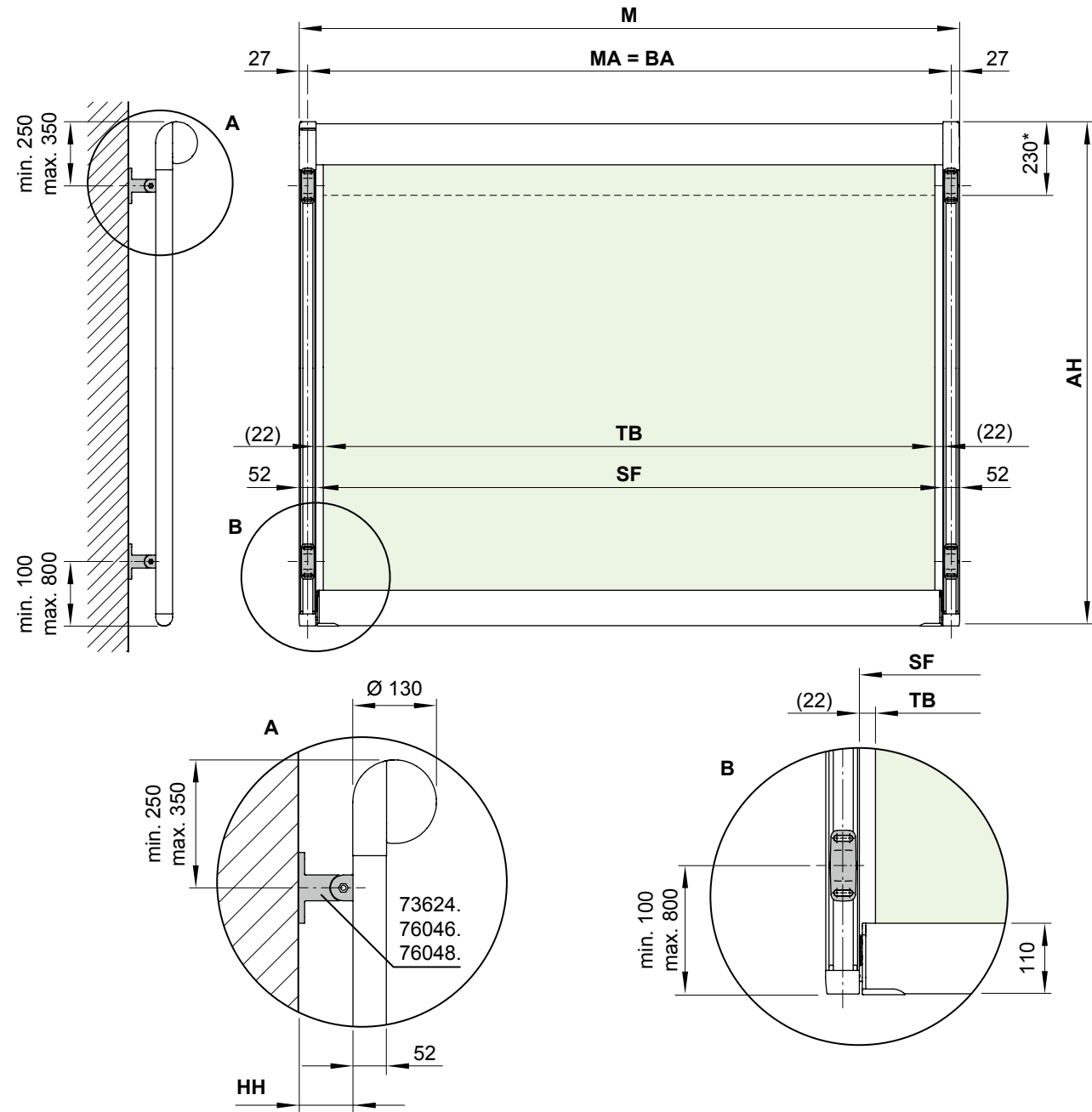
stand-off fixing tube
30 × 10 × 1000 mm
N.B! max. stand-off
distance 120 mm

701668

dimensions in mm

01
02
03
04
05
06
07
08
09
10
11
12
13
14
15
16
17
18
19
20

01 Overview of dimensions, fixture type 20, 21, 22



* = height of cassette incl. front profile when retracted

(...) = gap between cover and guide track (non-tracfix units)

AH = *order dimension* = unit height

BA = width between fixture points

HH = bracket height

M = overall blind width

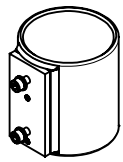
MA = *order dimension* = blind fixture width = fixture width

SF = visible cover (in tracfix systems)

TB = cover width

dimensions in mm

Dimensions, fixture to the post of the markilux pergola 110 tracfix

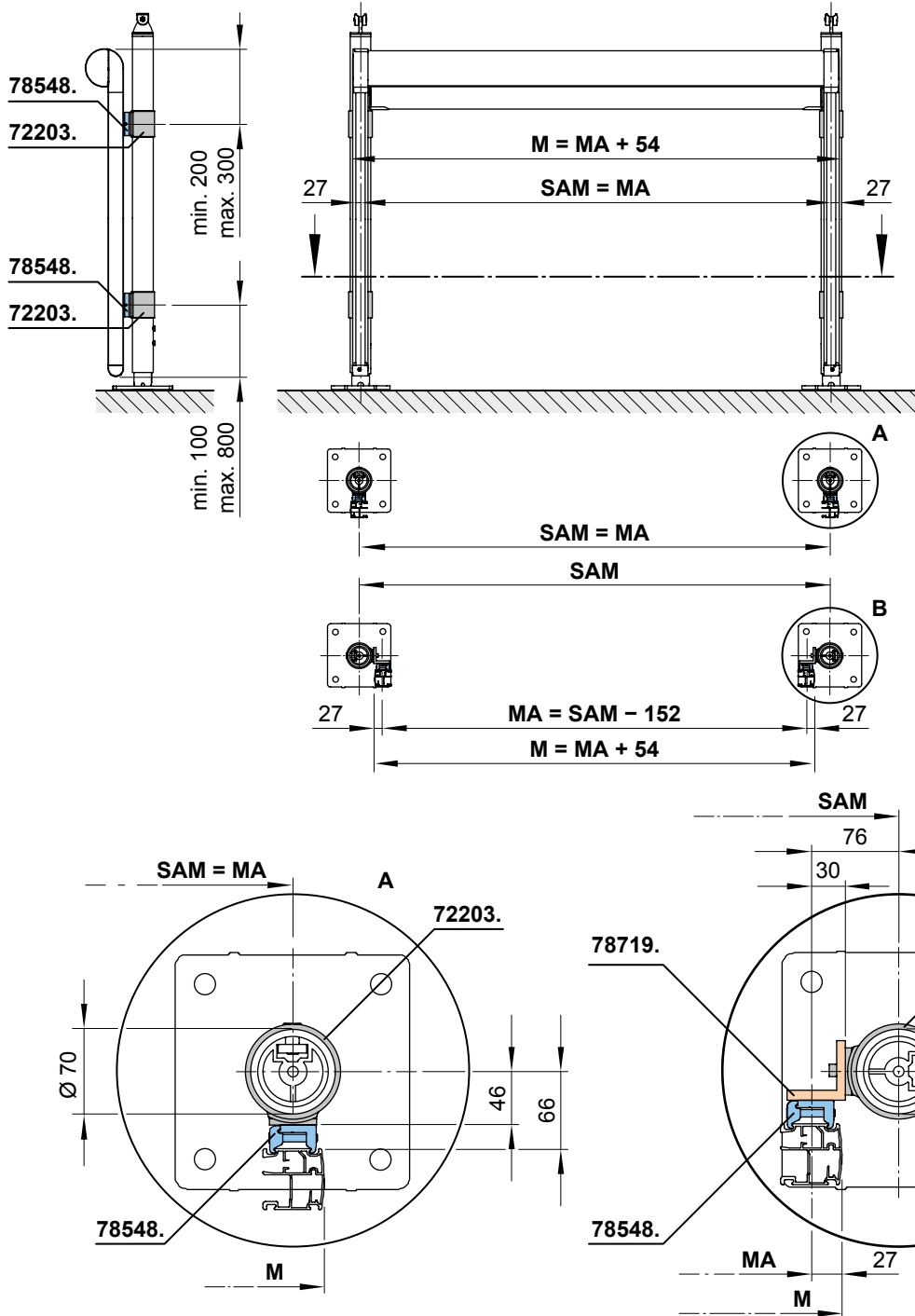


post fixture
guide track

single and double bracket

pergola 110 tracfix with
round post

72203.



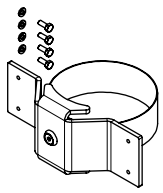
- A = detailed drawing fixture type 10
- B = detailed drawing fixture type 15
- M = overall blind width = MA + 54 mm
- MA = *order dimension* = blind fixture width = fixture width
- SAM = post separation centre to centre

dimensions in mm

01
02
03
04
05
06
07
08
09
10
11
12
13
14
15
16
17
18
19
20

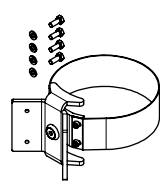
Dimensions, combination of markilux synkra / markilux construct

Fixture to a round post



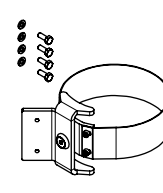
post fixture
guide track
centre, both sides
round post

79557.



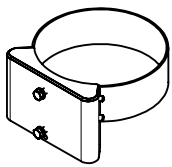
post fixture
guide track
corner, both sides
round post

79556.



post fixture
guide track
corner, one side
round post

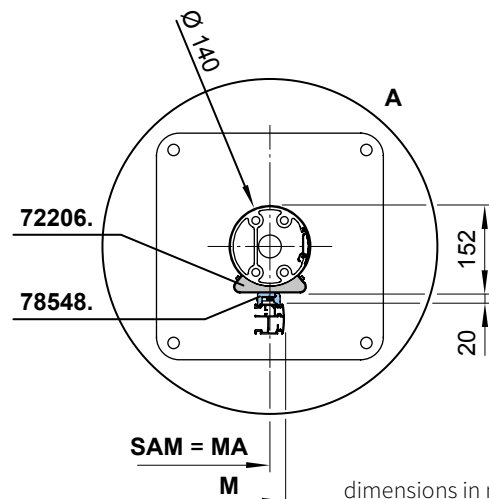
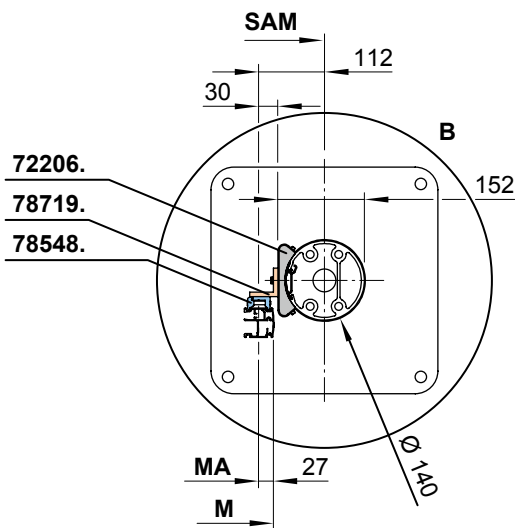
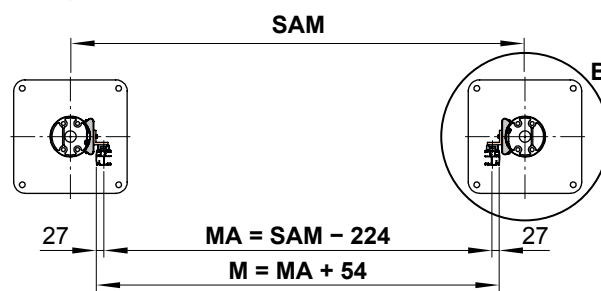
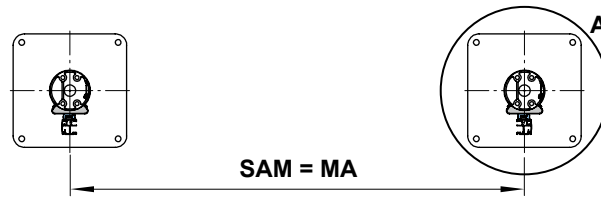
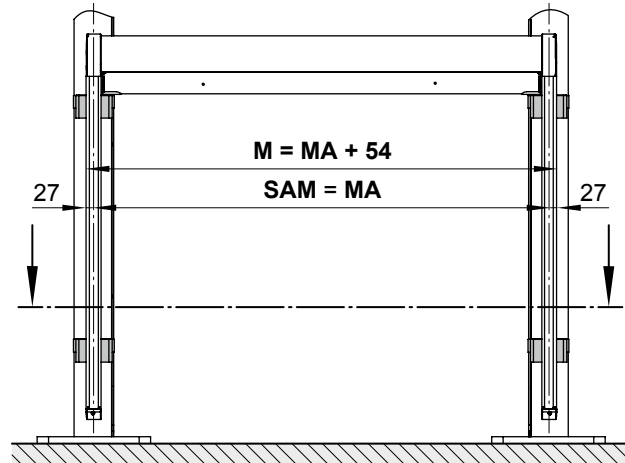
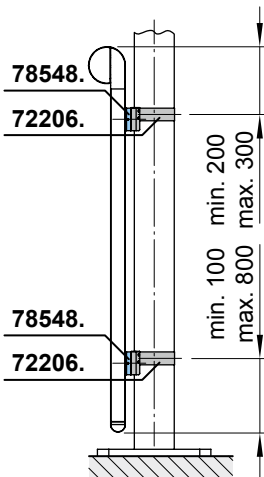
79558.



post fixture
guide track
single and double bracket
round post

72206.

Please note: When fixing to the markilux synkra / markilux construct only 2 brackets per track are needed!

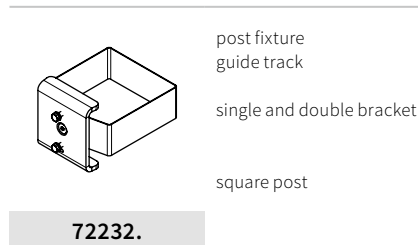
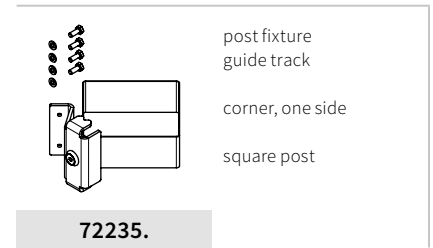
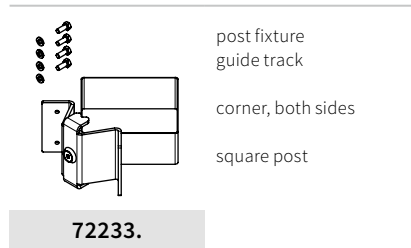
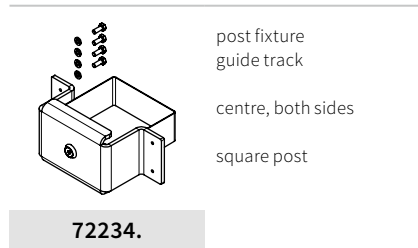


- A = detailed drawing fixture type 10
- B = detailed drawing fixture type 15
- M = overall blind width = MA + 54 mm
- MA = order dimension = blind fixture width = fixture width
- SAM = post separation centre to centre

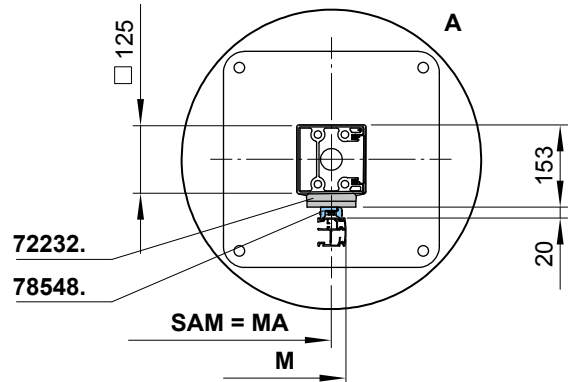
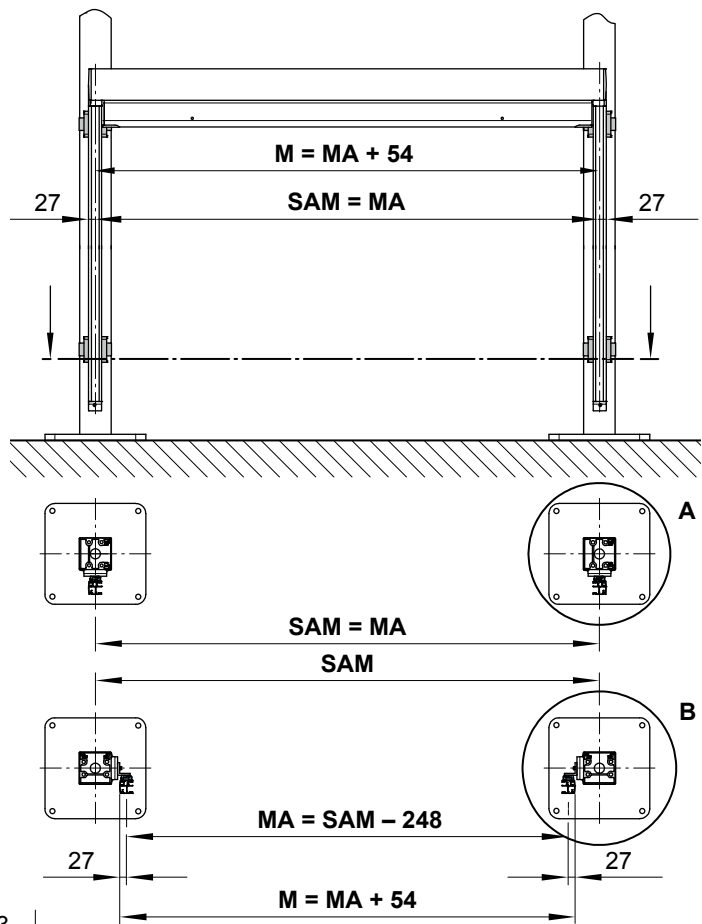
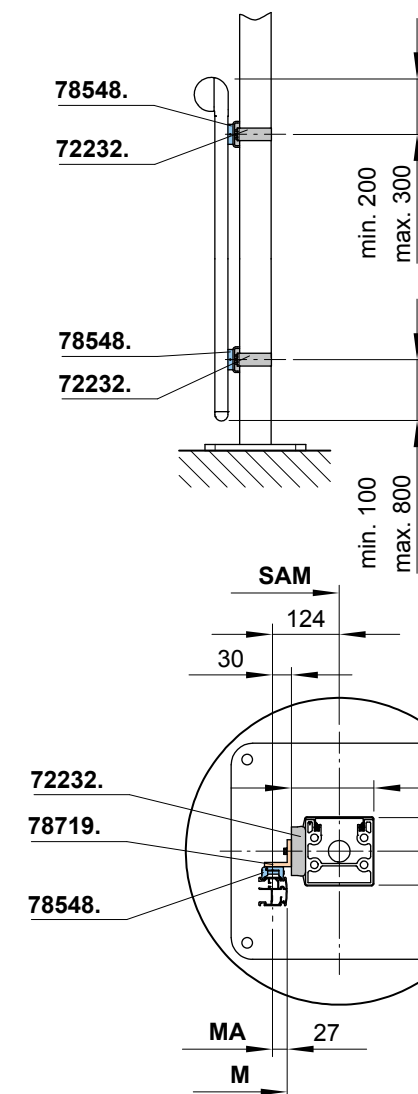
dimensions in mm

Dimensions, combination of markilux syncra / markilux construct

Fixture to a square post



Please note: When fixing to the markilux syncra / markilux construct only 2 brackets per track are needed!



- A** = detailed drawing fixture type 10
- B** = detailed drawing fixture type 15
- M** = overall blind width = $MA + 54$ mm
- MA** = *order dimension* = blind fixture width = fixture width
- SAM** = post separation centre to centre

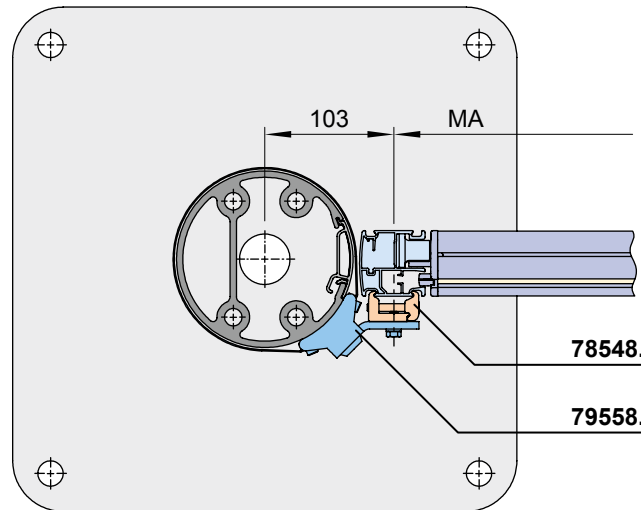
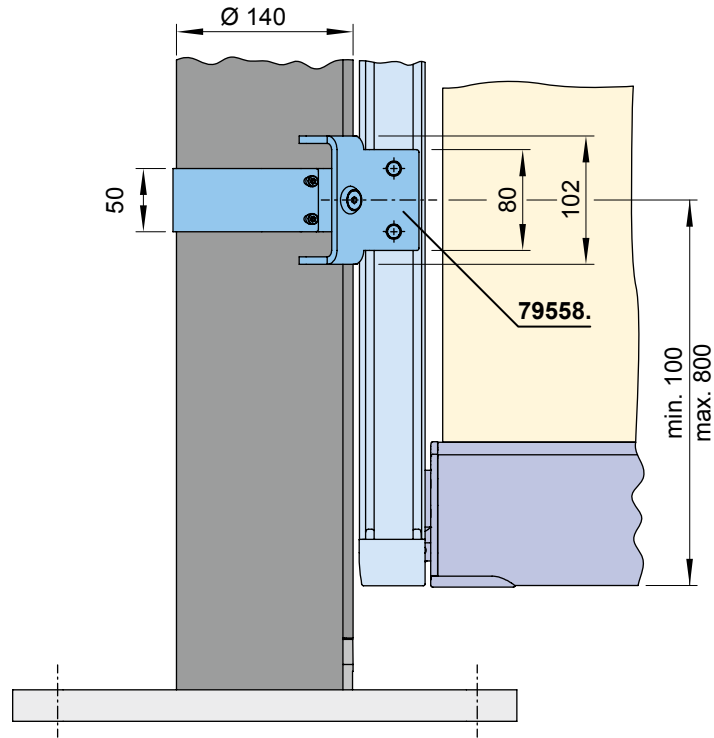
dimensions in mm

01
02
03
04
05
06
07
08
09
10
11
12
13
14
15
16
17
18
19
20

01 Dimensions, combination of markilux syncra / markilux construct

02 Fixture of one blind to a corner post

03
04
05
06
07
08
09
10
11
12
13
14
15
16
17
18
19
20

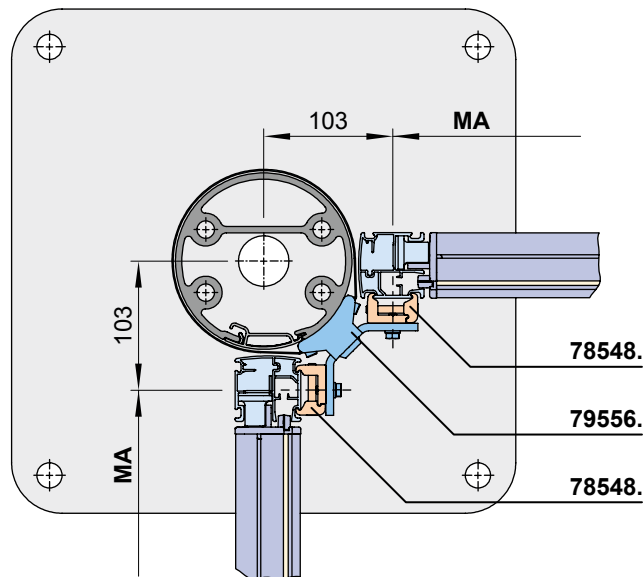
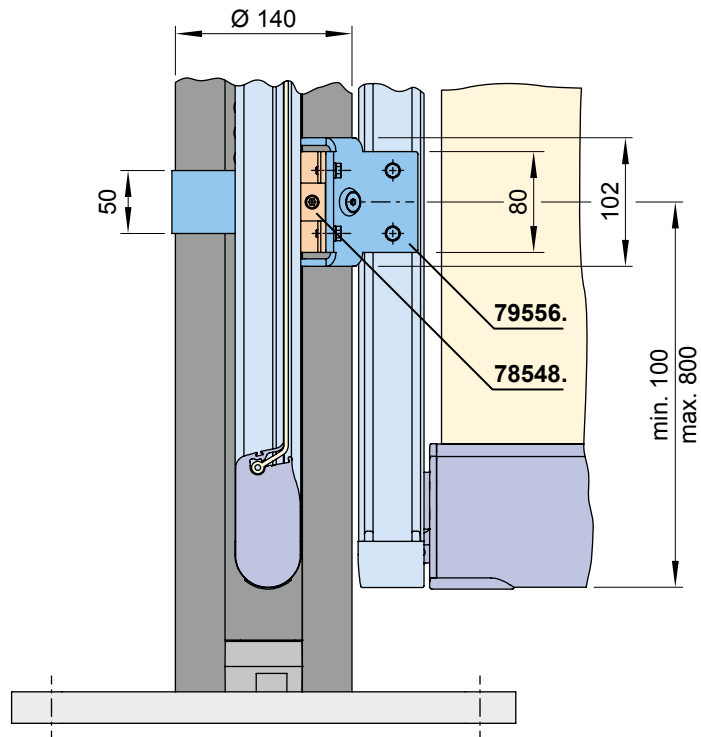


MA = order dimension = blind fixture width = fixture width

dimensions in mm

Dimensions, combination of markilux syncra / markilux construct

Fixture of two blinds to a corner post



MA = order dimension = blind fixture width = fixture width

dimensions in mm

01
02
03
04
05
06
07
08
09
10
11
12
13
14
15
16
17
18
19
20

01 **Dimensions, combination of markilux construct**

02 Fixture of two blinds to a central post

03

04

05 **04**

06

07

08

09

10

11

12

13

14

15

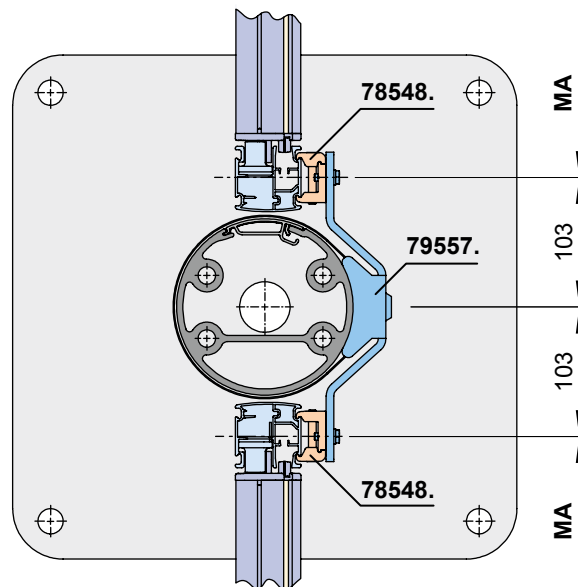
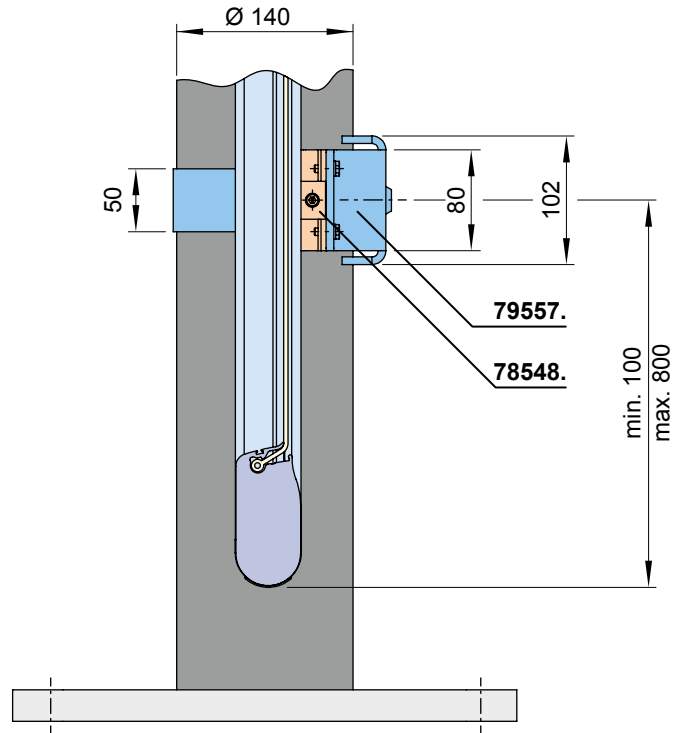
16

17

18

19

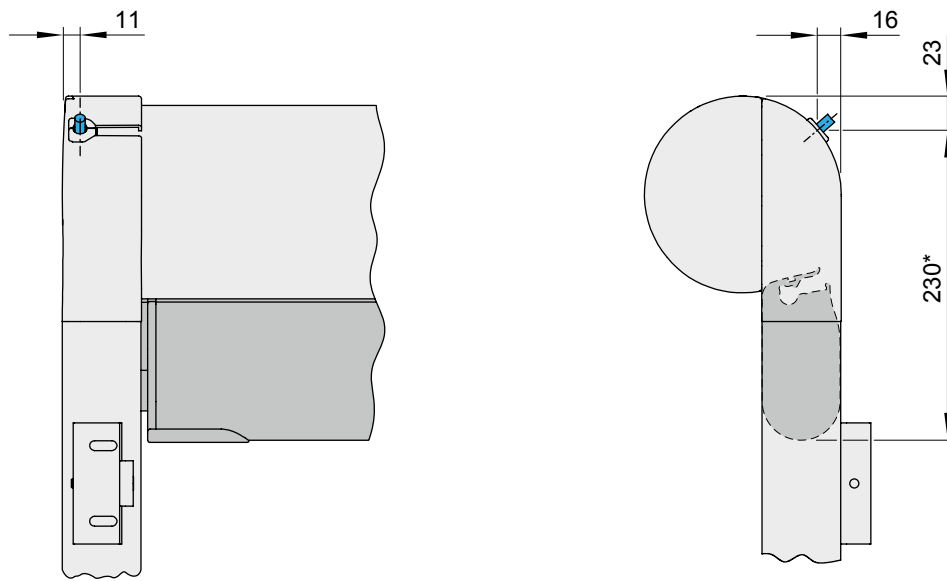
20



MA = order dimension = blind fixture width = fixture width

dimensions in mm

Motor cable exit point



- 01
- 02
- 03
- 04**
- 05
- 06
- 07
- 08
- 09
- 10
- 11
- 12
- 13
- 14
- 15
- 16
- 17
- 18
- 19
- 20

* = unit height when retracted

dimensions in mm

01

02

03

04

05

06

07

08

09

10

11

12

13

14

15

16

17

18

19

20