



Marquisolette

## **markilux 740/840**

The vertical blind with a difference – an ideal combination of vertical blind and drop-arm blind.

01 **Product characteristics**

Wind resistance class 2

Beaufort 5 → 7.5–10.4 m/s → 28–37 km/h → 17–23 mph

02 **markilux 740**

03 side view, standard gearbox operation

side view, motor operation <sup>1)</sup>

**markilux 840**

03 side view, standard gearbox operation

side view, motor operation <sup>1)</sup>



08 extended view, cassette with protective profile

extended view



**12**

drop arms with stainless steel gas pistons



1) optional configuration

## Product characteristics

### Description

- marquisolette with angled guide rails tensioned by gas piston technology – for areas up to 9 m<sup>2</sup>.

### Special features

- fully encompassing cassette that protects the cover perfectly
- compact cassette profile that lends an attractive appearance to the unit
- markilux 740 as standard with protective profile – when closed, it lends the blind a finished appearance
- height of the vertically shaded section can be individually set (depends on the overall height)
- fixture directly through the angled rails – the cassette is positioned right against the wall
- optimum cover tension provided by drop arms that use high-grade stainless steel gas pistons
- can be used safely even in light wind as the arms lock in place in the angled rails when in the lowered position

### Dimensions

- single unit: 74 cm – 300 cm in width, maximum height 300 cm
- maximum width × height: 300 cm × 300 cm
- intermediate sizes are available

### Roller tube and lateral bearings

- round roller tube Ø 63 mm with keyway, galvanised steel
- the roller tube bearing is made of stainless steel

### Blind profiles

- extruded aluminium, in façade quality, powder coated
- markilux 740: cassette profile in one piece, square, height × depth 95 mm × 95 mm
- markilux 840: cassette profile in two pieces, round tear-shaped, Ø 115 mm
- angled guide rails, width × depth 30 mm × 49 mm
- front profile round, Ø 32 mm

### Drop arms

- angled profile 32 × 30 mm, attractively rounded, extruded aluminium, powder coated
- arm length 60 cm, maximum angle of drop 120°
- excellent tension provided by marine grade stainless steel gas pistons, pressure 400 N

### Side caps

#### markilux 740:

- the cassette end caps are made of high-quality plastic, powder coated
- the guide rail end caps are made of high-quality plastic, powder coated
- the front profile end caps are made of die-cast aluminium, powder coated

#### markilux 840:

- the cassette end caps are made of high-quality plastic, powder coated
- the guide rail end caps are made of high-quality plastic, powder coated
- the front profile end caps are made of die-cast aluminium, powder coated

### Fixture brackets

- self-supporting cassette attached to the top of the angled guide rails
- without brackets, fixture directly through the angled guide rails, face or reveal fixture
- face or reveal fixture

01 **Frame colours**

02 markilux blind colours without surcharge

03 traffic white RAL 9016

04 metallic aluminium RAL 9006

05 grey brown, similar to RAL 8019

09 off-white textured finish, 5233 <sup>1)</sup>10 stone grey metallic, 5215 <sup>1)</sup>11 anthracite metallic, 5204 <sup>1)</sup>15 Havana brown textured finish, 5229 <sup>1)</sup>**Non-standard powder-coated finish**

Bespoke frame colours at a surcharge – matt, metallic and pearl finishes as well as other colour ranges (DB, Tiger etc.) on request. All frame colours are available at a surcharge with enhanced corrosion protection.

**1)** textured finish

Colours may differ slightly from those depicted in both hue and finish.



# Dimensions and configuration options

Single unit

		Overall blind width					Minimum width	
		100	150	200	250	300	Hard-wired motor	Radio-controlled motor
Order dimensions		50	101	151	201	251	75	74
		100	150	200	250	300		
AH	120						75	74
	160							
	200							
	250							
	300							

dimensions in cm

AH = unit height

### Operation

	standard	optional
crank handle, on the outside	✓	—
crank handle, operation from the rear	—	✓
crank handle, interior operation	—	✓
hard-wired motor	—	✓
radio-controlled motor io, 868 MHz	—	✓
radio-controlled motor RTS, 433 MHz	—	✓

### Coupled Blind

not available

### Optional accessories

automatic controls (light, wind, rain)

**N.B!** Important background information can be found in the chapter "Optional Accessories".

### Blind cover

	fabric range no.	standard	optional	model	overall blind width	unit height	cover manuf.
sunvas	301.. / 309..-315..	✓	—	740 / 840			LN
sunsilk	324.. / 325.. / 328.. / 369..	✓	—	740 / 840			LN
perfotex	331.. / 332..	✓	—	740		≤ 250	LN
				840			LN
sunvas (250 cm)	31008, -09, -13, -16, -18, -25, -27, -28, -31, -36, -37, -57, -58, 31109, -14, -17	✓	—	740 / 840	≤ 250		N
transolair	338..	—	✓	740 / 840	≥ 251	≤ 230	N
				740 / 840	≥ 251	≥ 231	QN
transolair (120 cm)	339..	—	✓	740 / 840			LN
sunvas (320 cm)	31008, -09	✓	—	740 / 840			N
vuscreen Alu	317..	—	✓	740	≤ 250	≤ 250	N
				740	≥ 251	≤ 230	N
				740	≥ 251	≤ 230	QN
				840	≤ 250		N
				840	≥ 251	≥ 231 ≤ 250	N
840	≥ 251	≥ 231	QN				
Soltis Perform 92	92-20..	—	—	—			
perla	370..	—	—	—			
perla FR	374.. / 375..	—	—	—			

N = seamless

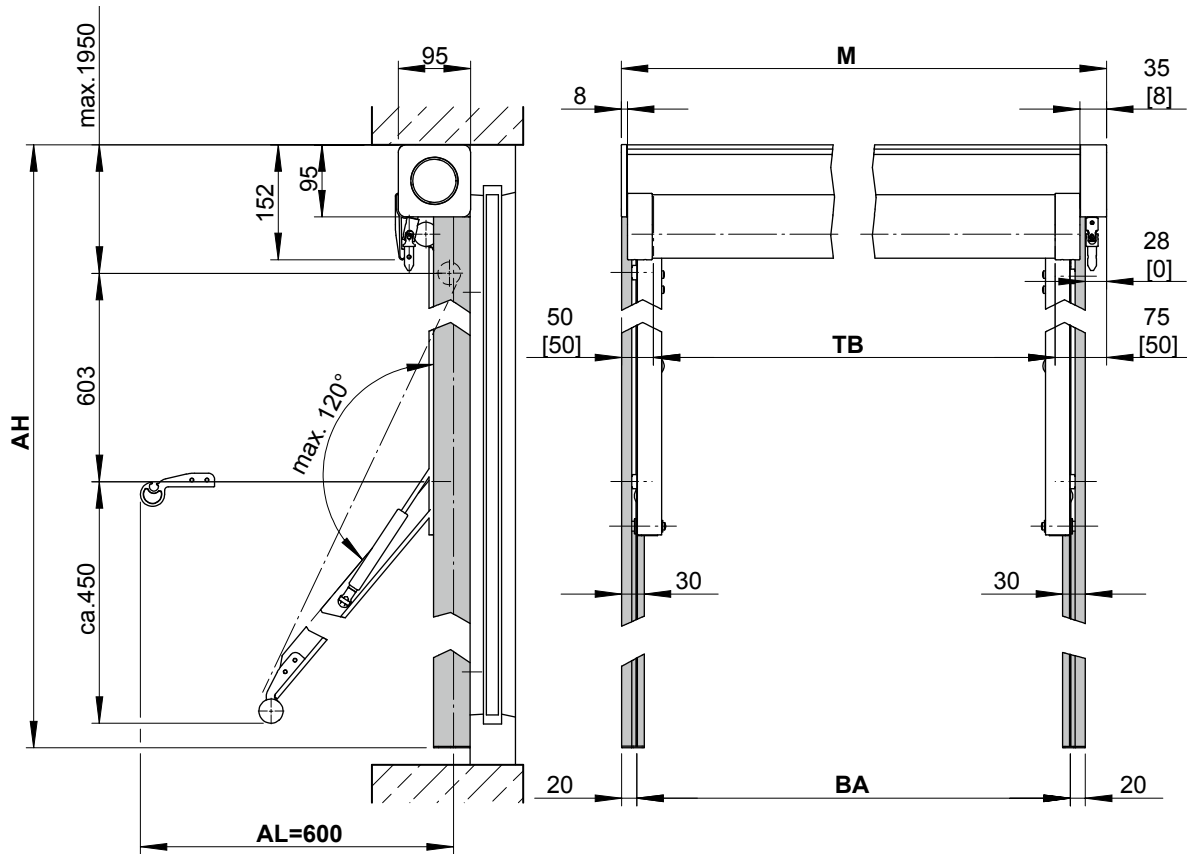
LN = vertical seam(s), panel width usually 120 cm

QN = horizontal seam(s)

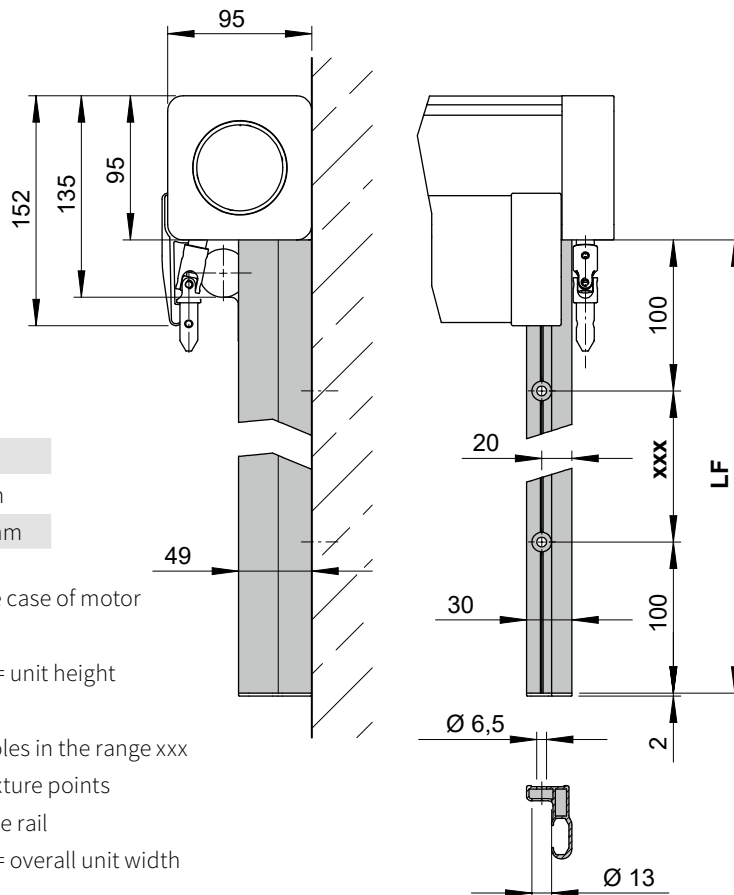
dimensions in cm

# markilux 740

## Dimension overview



## Face fixture



ABO xxx	LF
2	1-1500 mm
3	1501-3000 mm

[...] = dimensions in the case of motor interior operation

AH = *order dimension* = unit height

AL = arm length

ABO = number of drill holes in the range xxx

BA = width between fixture points

LF = length of the guide rail

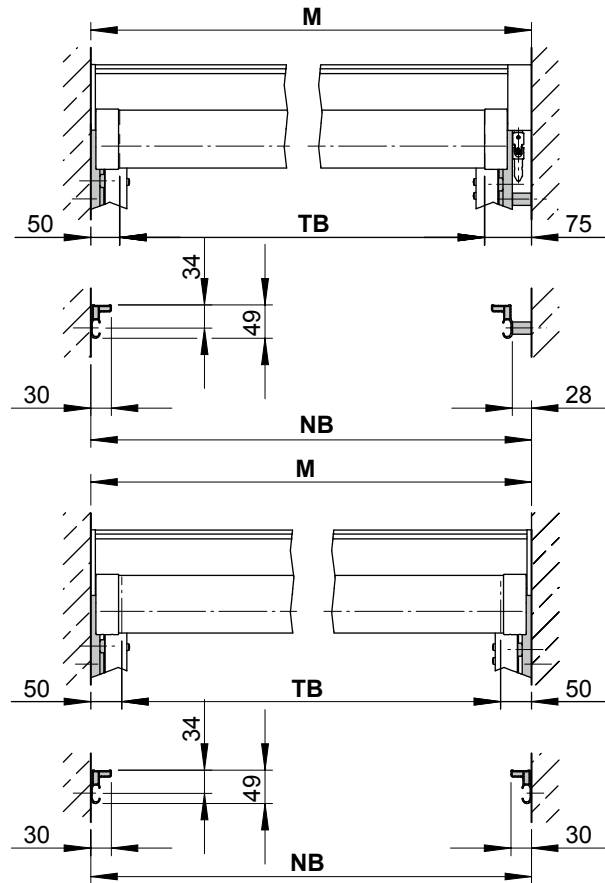
M = *order dimension* = overall unit width

TB = cover width

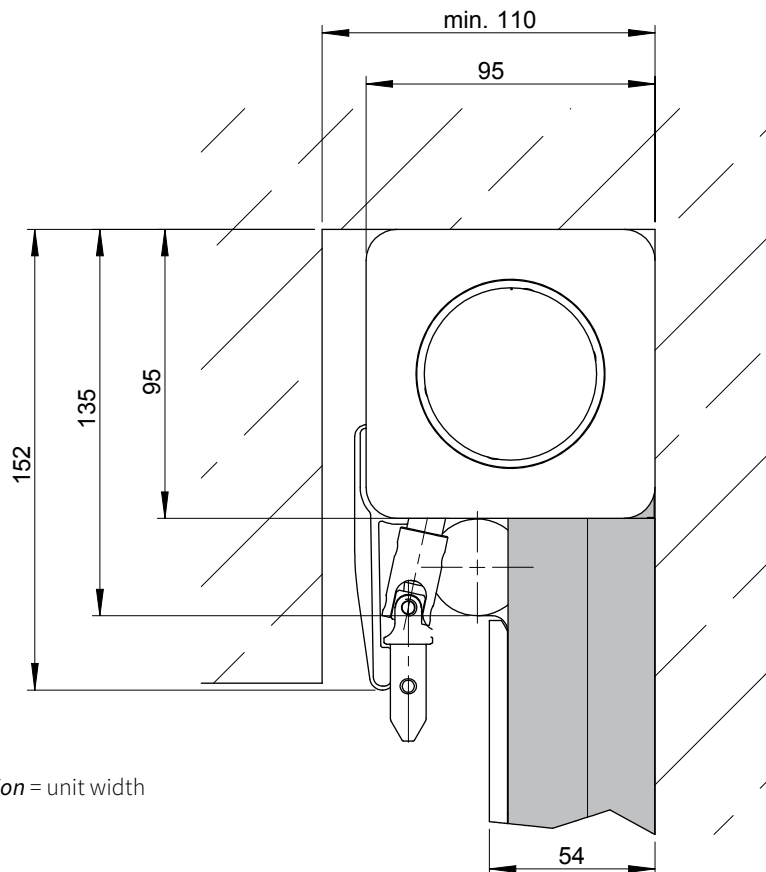
dimensions in mm

# markilux 740

Reveal fixture, gearbox / motor operation



Reveal fixture in a top window well, manual operation



- M** = order dimension = unit width
- NB** = reveal width
- TB** = cover width

dimensions in mm

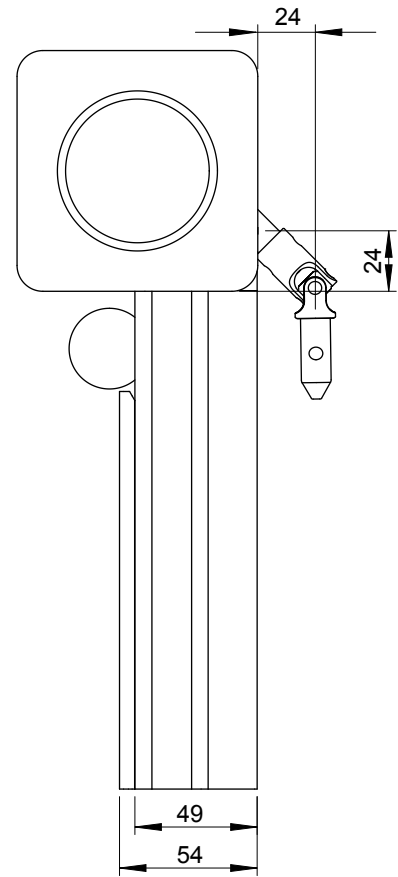
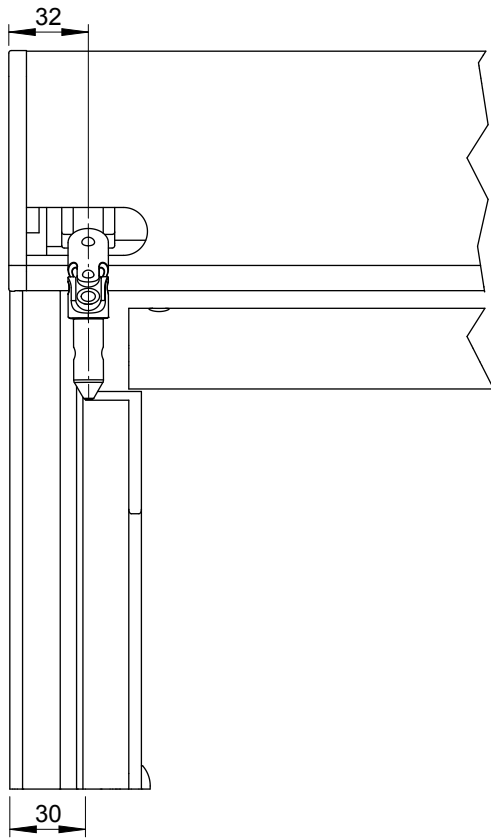
01  
02  
03  
04  
05  
06  
07  
08  
09  
10  
11  
**12**  
13  
14  
15  
16  
17  
18  
19  
20



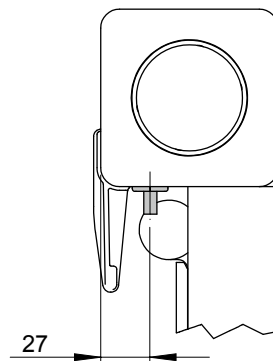
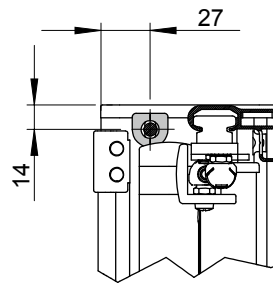


# markilux 740

Crank handle, operation from the rear



Motor cable exit point



dimensions in mm

01

02

03

04

05

06

07

08

09

10

11

**12**

13

14

15

16

17

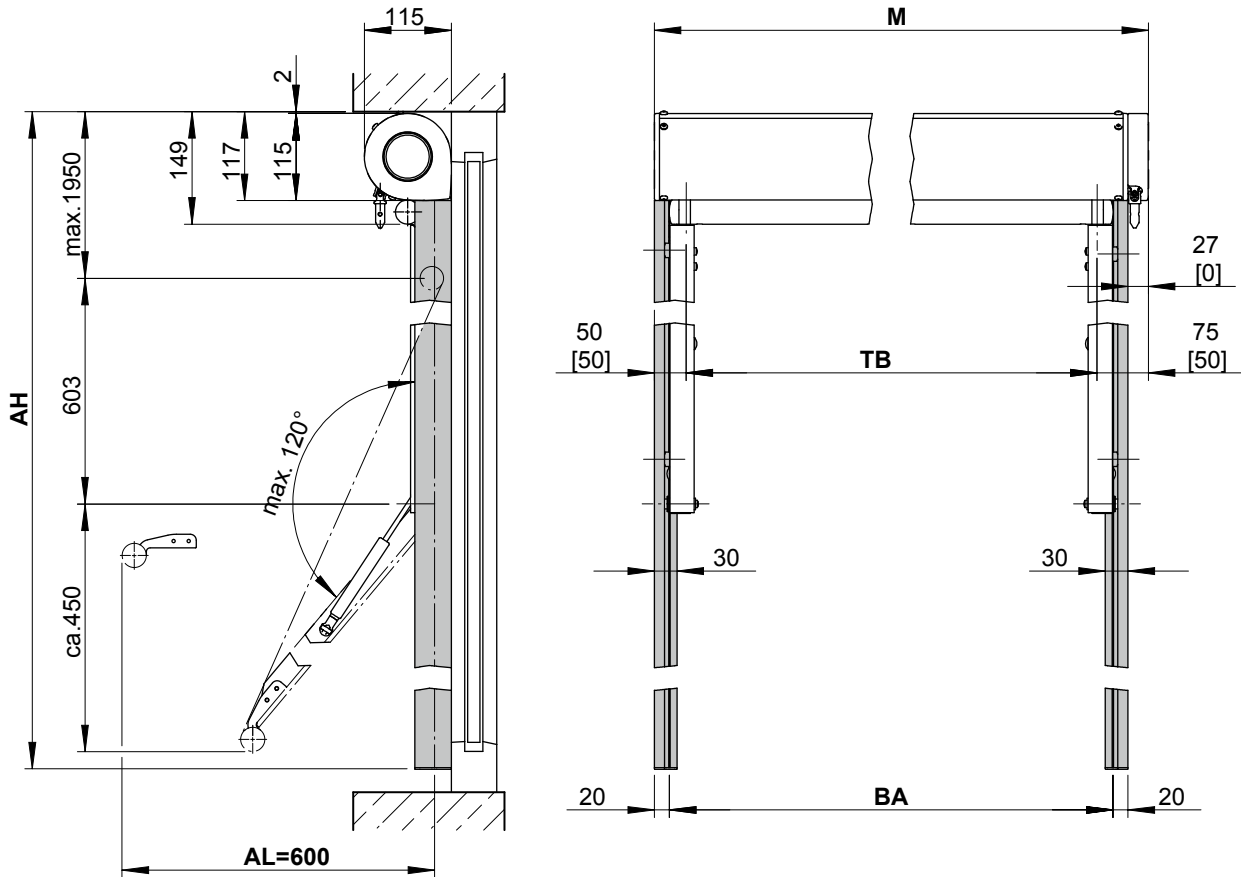
18

19

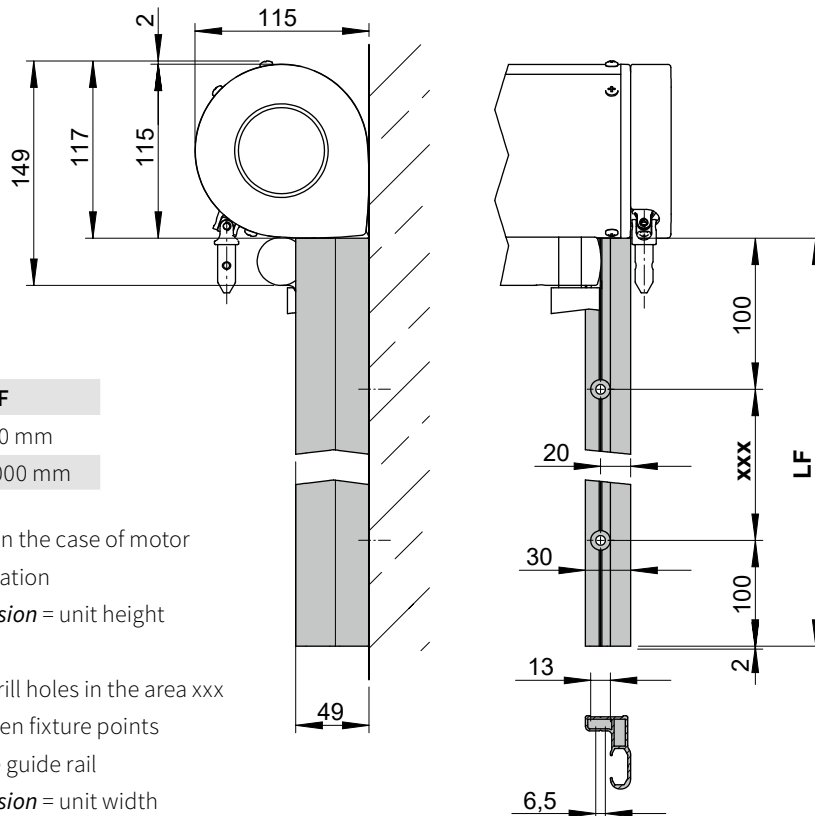
20

# markilux 840

## Dimension overview



## Face fixture



ABO xxx	LF
2	1-1500 mm
3	1501-3000 mm

[...] = dimensions in the case of motor interior operation

AH = *order dimension* = unit height

AL = arm length

ABO = number of drill holes in the area xxx

BA = width between fixture points

LF = length of the guide rail

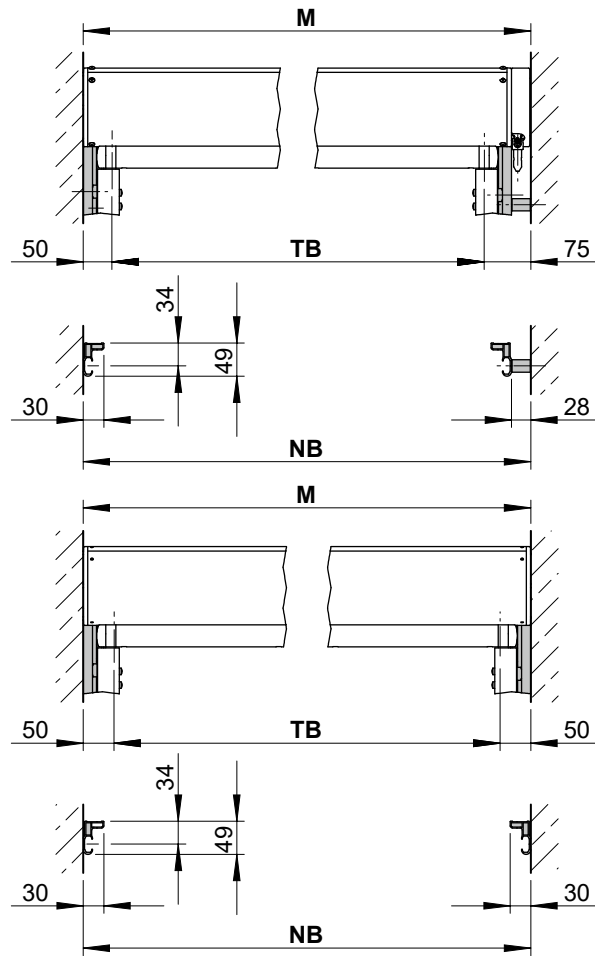
M = *order dimension* = unit width

TB = cover width

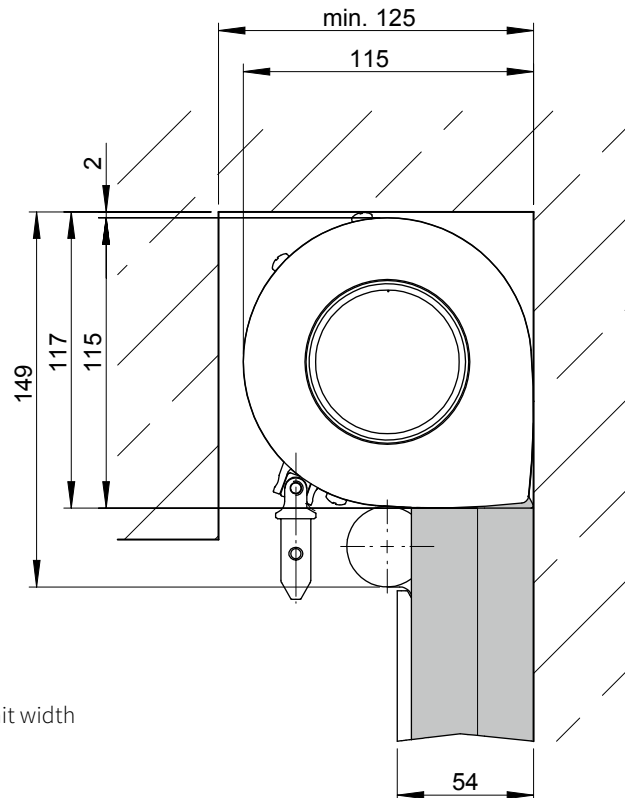
dimensions in mm

# markilux 840

Reveal fixture, gearbox / motor operation



Reveal fixture in a window well, manual operation



- M** = *order dimension* = unit width
- NB** = reveal width
- TB** = cover width

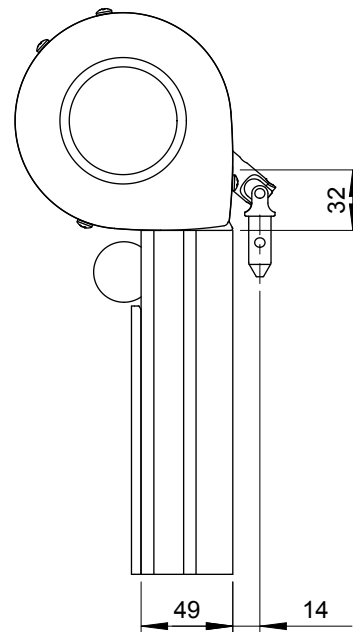
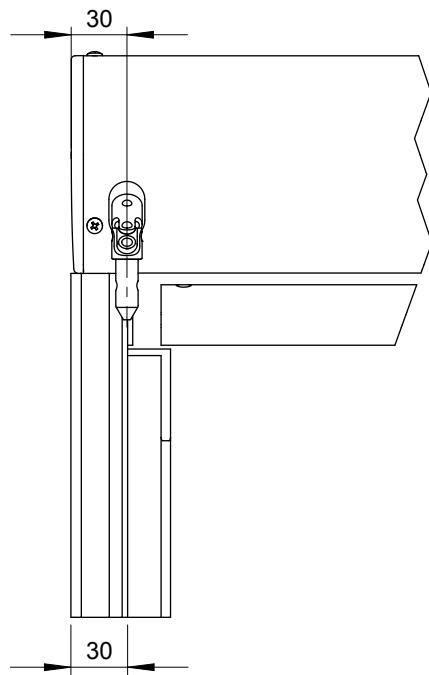
dimensions in mm

01  
02  
03  
04  
05  
06  
07  
08  
09  
10  
11  
**12**  
13  
14  
15  
16  
17  
18  
19  
20



# markilux 840

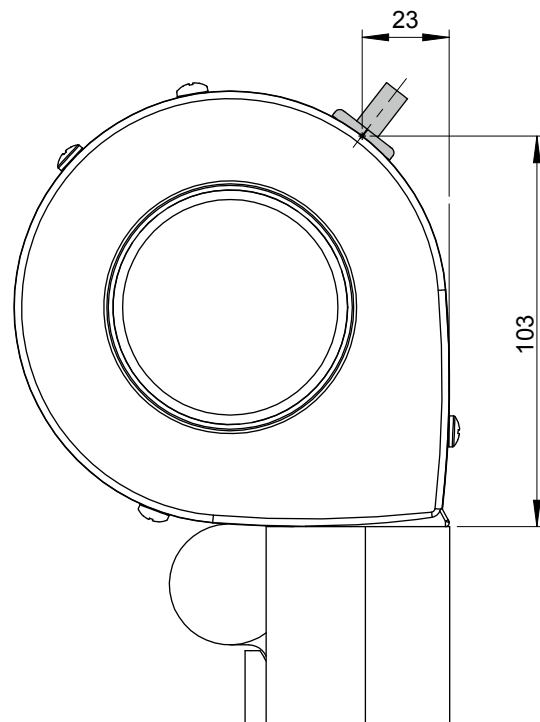
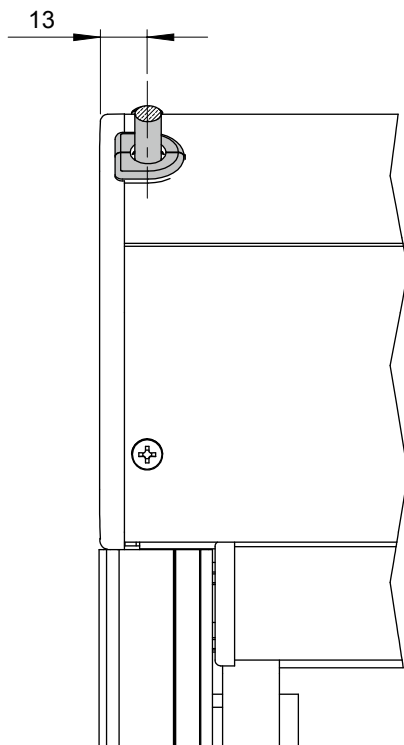
Crank handle, operation from the rear



- 01
- 02
- 03
- 04
- 05
- 06
- 07
- 08
- 09
- 10
- 11

## 12

Motor cable exit point



- 13
- 14
- 15
- 16
- 17
- 18
- 19
- 20

dimensions in mm

01

02

03

04

05

06

07

08

09

10

11

**12**

13

14

15

16

17

18

19

20