



Vertical cassette blind

markilux 750 / 850

The vertical blind with elegant stainless steel guide rods.

Product characteristics

Wind resistance class 2

Beaufort 5 → 7.5–10.4 m/s → 28–37 km/h → 17–23 mph

01
02
03
04
05
06
07
08
09
10
11
12
13
14
15
16
17
18
19
20

markilux 750



markilux 850



face fixture,
standard gearbox operation

top fixture,
motor operation ¹⁾

face fixture,
standard gearbox operation

top fixture,
motor operation ¹⁾



recess fixture



Product characteristics

Description

- vertical blind with stainless steel guide rods and gravity-fed cover tension – for areas of up to 17.5 m².

Special features

- fully encompassing cassette that protects the cover perfectly
- compact cassette profile that lends an attractive appearance to the unit
- stainless steel guide rods with brushed finish give the façade an exclusive visual touch
- Option of interior manual operation from the room within, drive shaft passes through the outer wall

Dimensions

- single unit: 77 cm – 500 cm in width, maximum unit height 350 cm
- maximum dimensions, width × unit height: 500 cm × 350 cm
- intermediate sizes are available

Roller tube and lateral bearings

- round roller tube Ø 63 mm with keyway, galvanised steel
- the roller tube bearing is made of stainless steel

Blind profiles

- extruded aluminium, in façade quality, powder coated
- markilux 750: cassette profile in one piece, square, height × depth 95 mm × 95 mm
- markilux 850: cassette profile in two pieces, round tear-shaped, Ø 115 mm
- front profile round, Ø 32 mm
- medium grade stainless steel guide rods Ø 16 mm

Side caps

markilux 750:

- the cassette end caps are made of high-quality plastic, powder coated
- the bottom profile end caps are made of high-quality plastic, dyed right through, white or black (depending on the blind colour)

markilux 850:

- the cassette end caps are made of high-quality plastic, powder coated
- the bottom profile end caps are made of high-quality plastic, dyed right through, white or black (depending on the blind colour)

Fixture brackets

- extruded aluminium, powder coated
- cassette brackets: face fixture, top fixture, reveal fixture
- brackets for the guide rods: face fixture, stand-off face fixture, reveal fixture
- other accessories are available

01

02

03

04

05

06

07

08

09

10

11

12

13

14

15

16

17

18

19

20

01 **Frame colours**

02 markilux frame colours without surcharge

03 traffic white RAL 9016



04 metallic aluminium RAL 9006



05 grey brown, similar to RAL 8019



06 **09** off-white textured finish, 5233 ¹⁾



07 stone grey metallic, 5215 ¹⁾



08 anthracite metallic, 5204 ¹⁾



09 Havana brown textured finish, 5229 ¹⁾



Non-standard powder-coated finish

Bespoke frame colours at a surcharge – matt, metallic and pearl finishes as well as other colour ranges (DB, Tiger etc.) on request. All frame colours are available at a surcharge with enhanced corrosion protection.

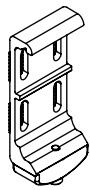
¹⁾ textured finish

Colours may differ slightly from those depicted in both hue and finish.

01 **markilux 750**

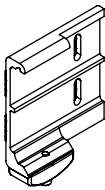
02 **Fixtures, fittings and accessories**

03
04
05
06
07
08
09
10
11
12
13
14
15
16
17
18
19
20



face fixture bracket
50 mm

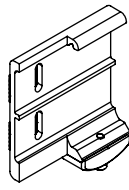
78797.



face fixture bracket with fishplate for lateral fixture, right

N.B!
not for the operation side:
• interior operation
• operation from the rear

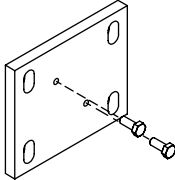
78920.



face fixture bracket with fishplate for lateral fixture, left

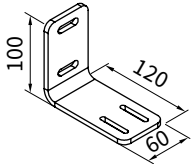
N.B!
not for the operation side:
• interior operation
• operation from the rear

78921.




spreader plate for face fixture / universal bracket
120 × 100 × 10 mm

78982.



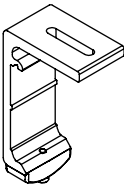
additional angled bracket for reveal fixture
100 × 120 × 60 mm
please order additional accessories 792931

77220.



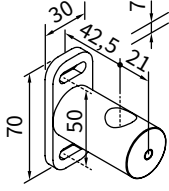
accessories for two angled brackets 77220. or 78565.

792931



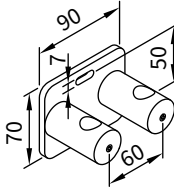
top fixture bracket
50 mm

78859.



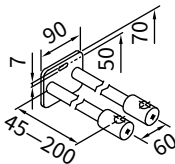
stand-off bracket

79359.



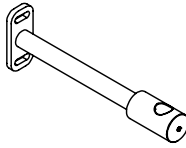
stand-off bracket
2 single units

79374.



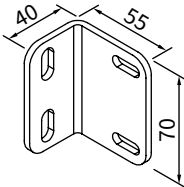
extended stand-off bracket
2 single units

79375.



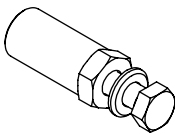
extended stand-off bracket
200 mm

79112.



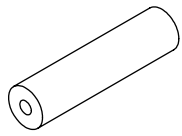
angled plate for stand-off brackets
40 × 55 × 70 mm
please order additional accessories 792931

75044.



bolt reduction assembly
M 10 → M 6 / SW 13
pack 10 pcs

753211



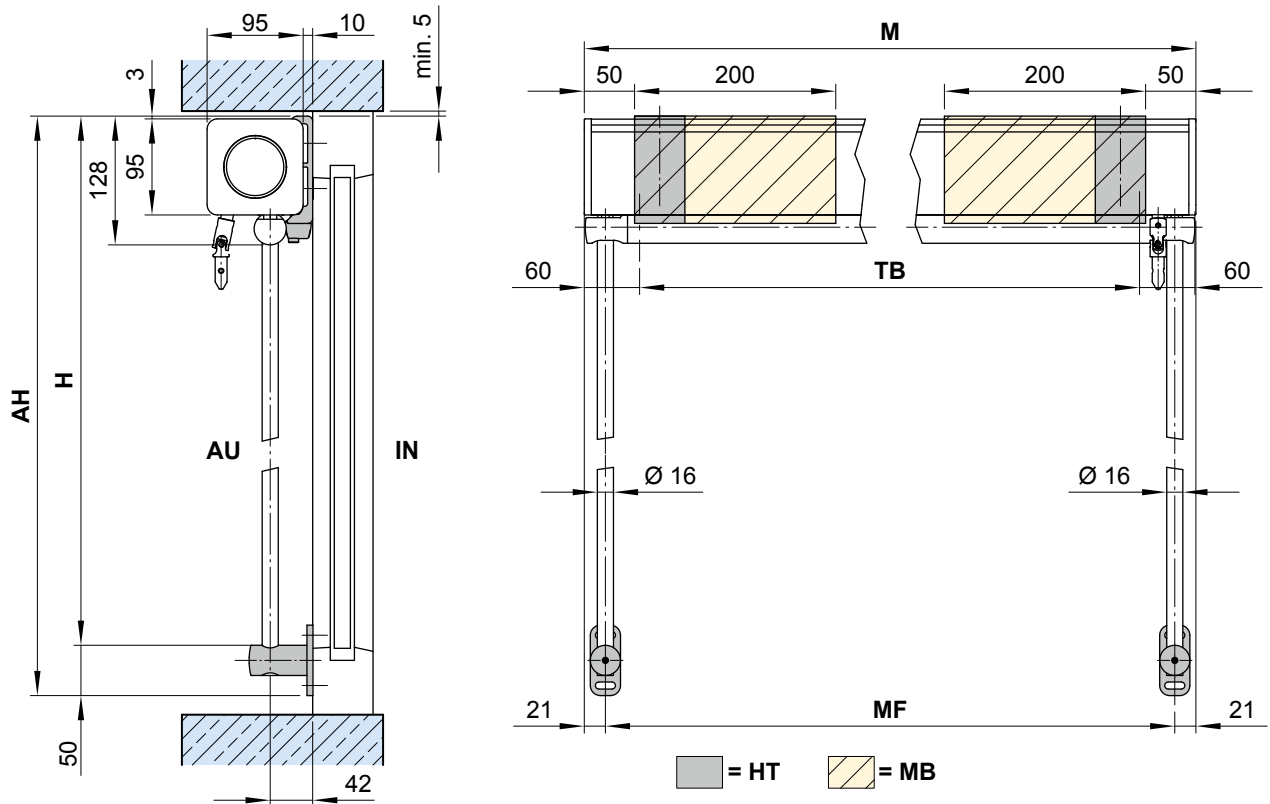
stand-off fixing tube
30 × 10 × 1000 mm

N.B!
max. stand-off distance
120 mm

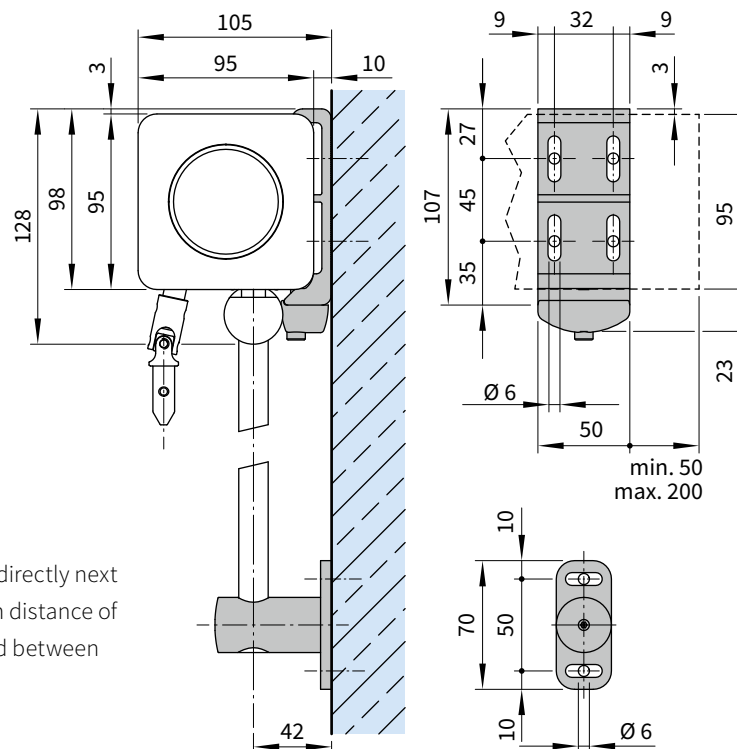
701668

markilux 750

Dimension overview



Face fixture



N.B! If blinds are installed directly next to one another, a minimum distance of 18 mm must be maintained between the two blinds.

- AH** = *order dimension* = unit height
- AU** = exterior
- H** = drop
- HT** = bracket
- IN** = interior

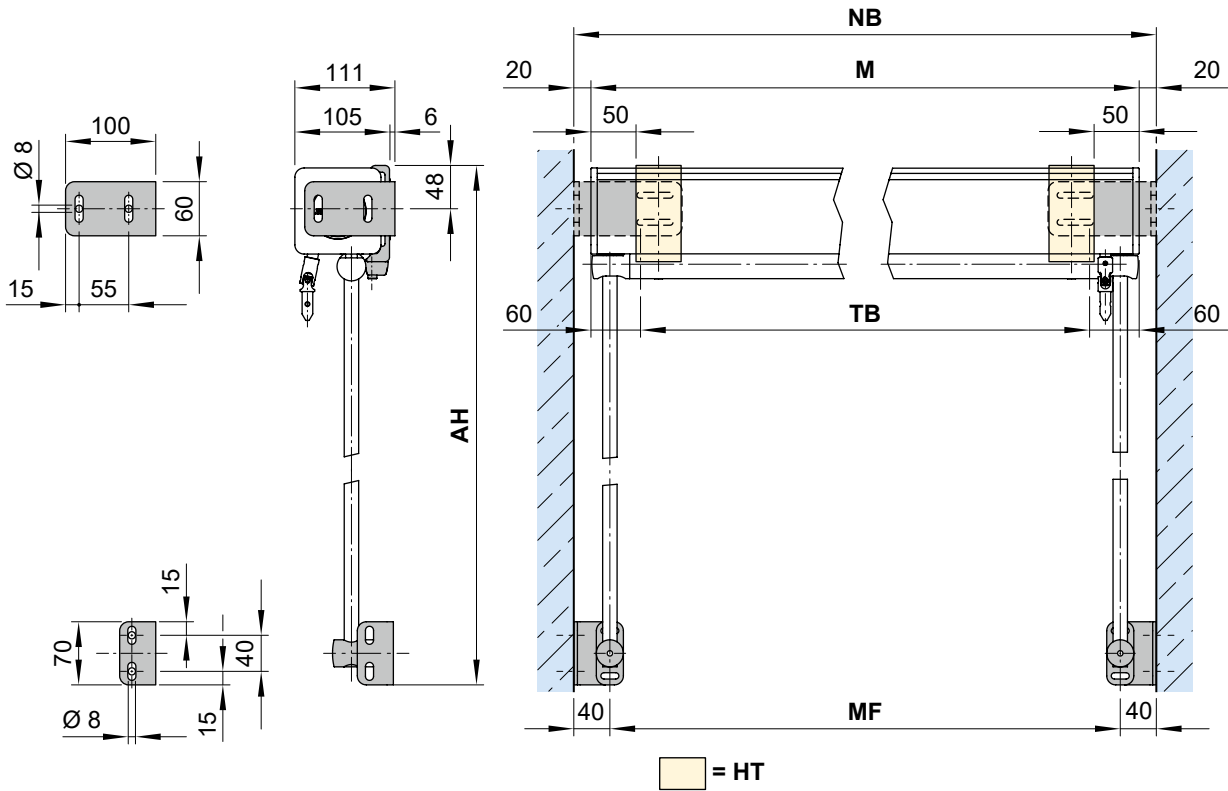
- M** = *order dimension* = overall blind width
- MB** = bracket fixture range
- MF** = centre to centre of the stainless steel guide rods, fixture width
- TB** = cover width

dimensions in mm

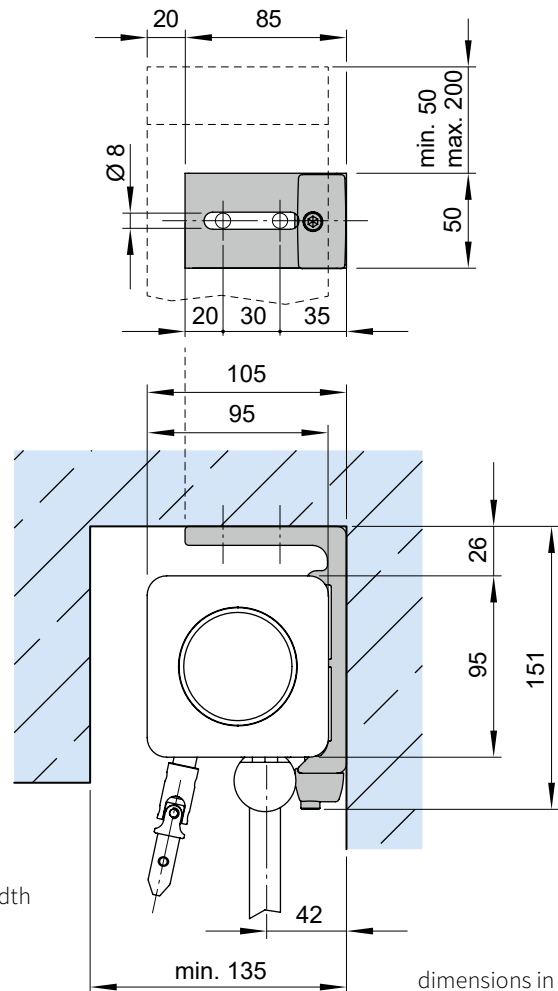
01
02
03
04
05
06
07
08
09
10
11
12
13
14
15
16
17
18
19
20

markilux 750

Reveal fixture, gearbox / motor operation



Reveal fixture in a window well, gearbox operation

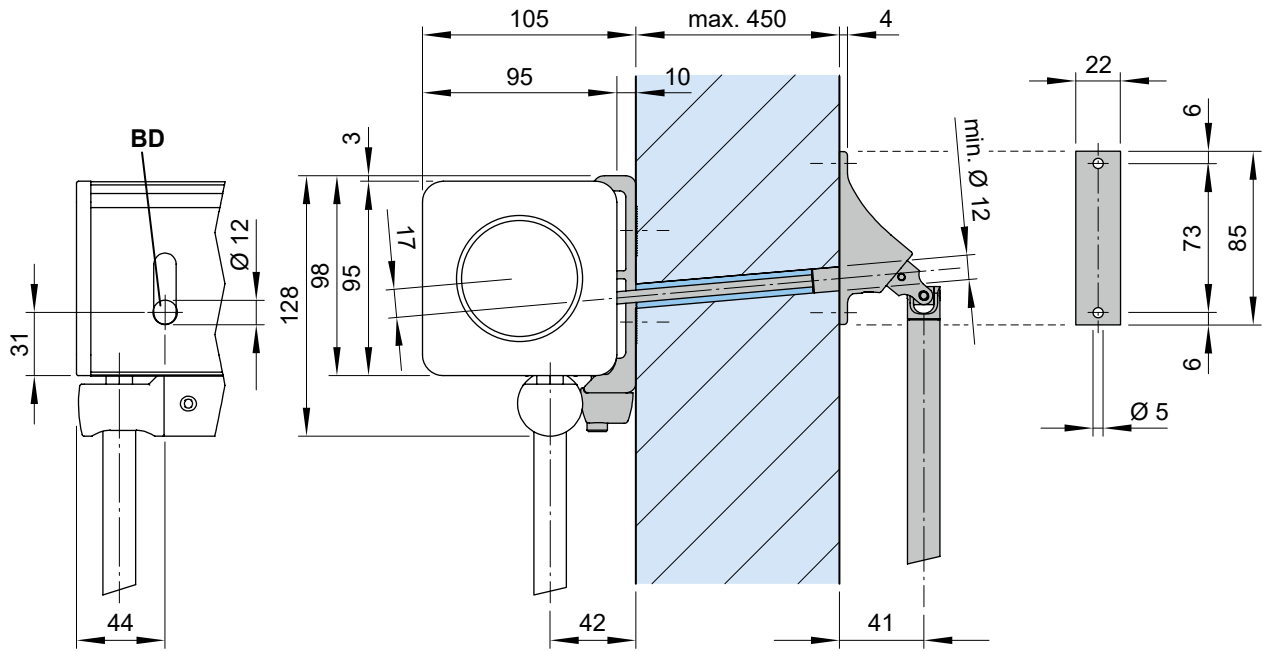


- AH = *order dimension* = unit height
- HT = bracket
- M = *order dimension* = overall blind width
- MF = centre to centre of the stainless steel guide rods, fixture width
- NB = reveal width
- TB = cover width

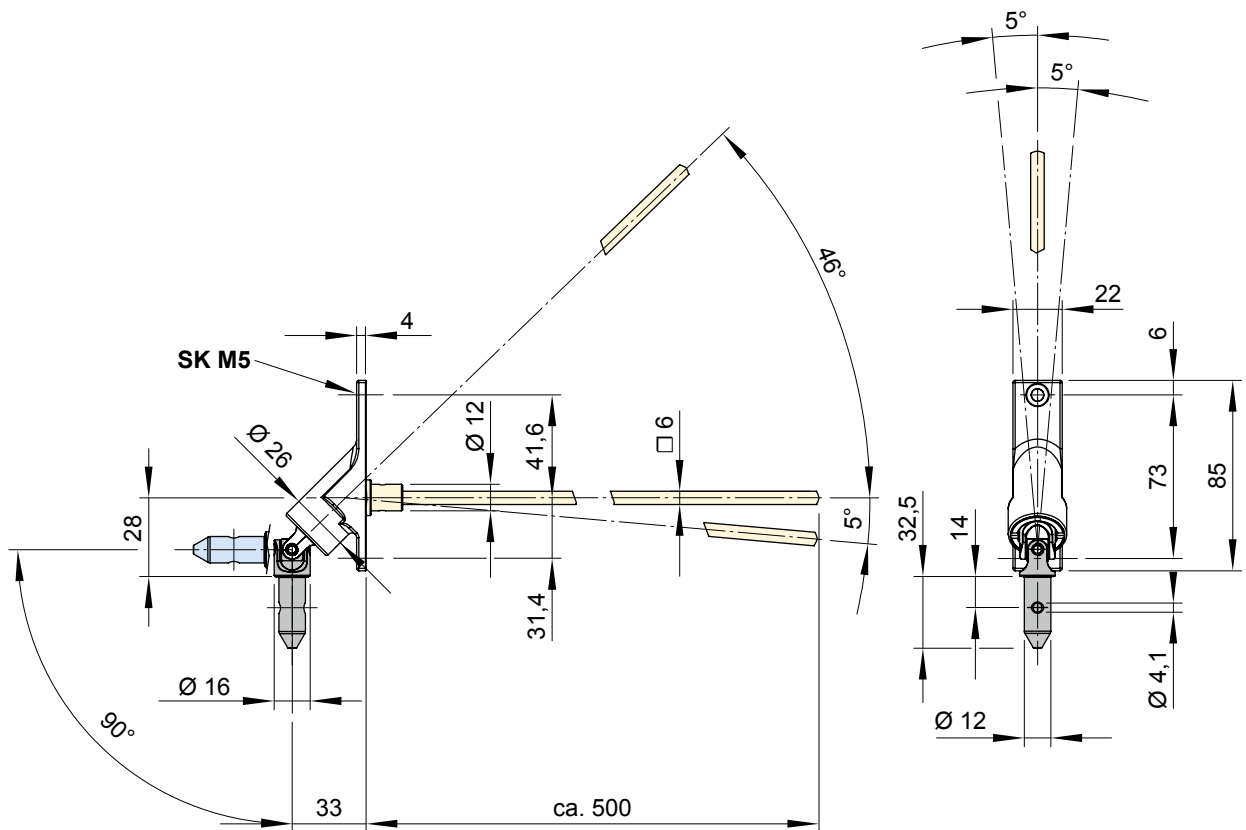
dimensions in mm

markilux 750

Face fixture, interior operation



Handle for interior operation



BD = horizontal drill hole

SK = countersunk screw hole M5

dimensions in mm

01
02
03
04
05
06
07
08
09
10
11
12
13
14
15
16
17
18
19
20

01 **markilux 750**

02 Manual operation from the rear

03

04

05

06

07

08

09

10

11

12

13

14

15

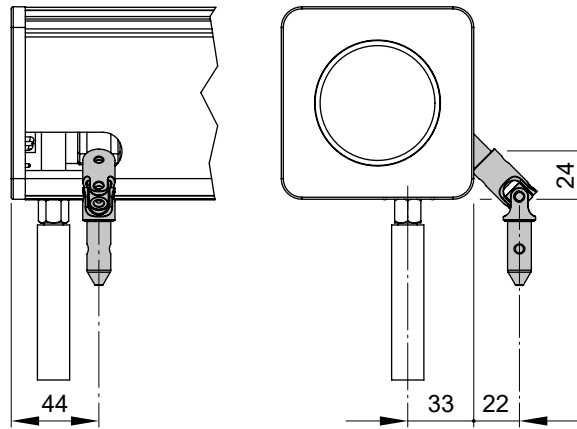
16

17

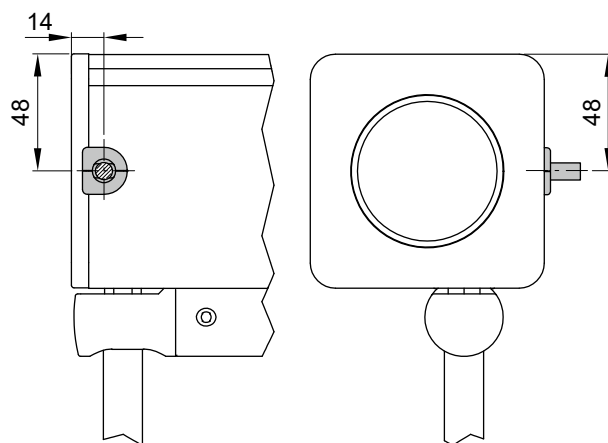
18

19

20



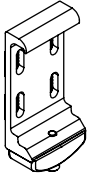
Motor cable exit point



dimensions in mm

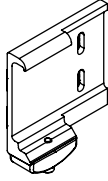
markilux 850

Fixtures, fittings and accessories



face fixture bracket
50 mm

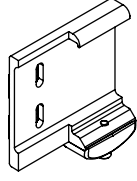
78726.



face fixture bracket with fishplate for lateral fixture, right

N.B!
not for the operation side:
• interior operation
• operation from the rear

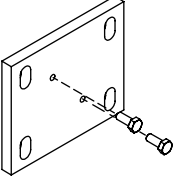
78748.



face fixture bracket with fishplate for lateral fixture, left

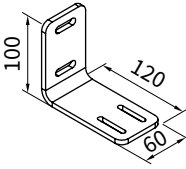
N.B!
not for the operation side:
• interior operation
• operation from the rear

78749.



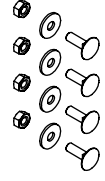
spreader plate for face fixture / universal bracket
120 × 100 × 10 mm

78982.



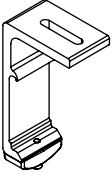
additional angled bracket for reveal fixture
100 × 120 × 60 mm
please order additional accessories 792931

77220.



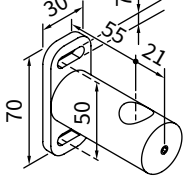
accessories for two angled brackets 77220. or 78565.

792931



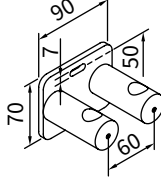
top fixture bracket
50 mm

78727.



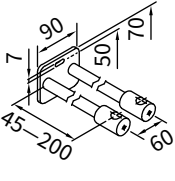
stand-off bracket

79100.



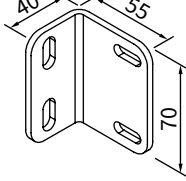
stand-off bracket
2 single units

79462.



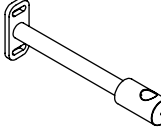
extended stand-off bracket
2 single units

79375.



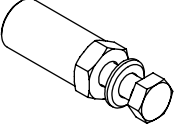
angled plate for stand-off brackets
40 × 55 × 70 mm
please order additional accessories 792931

75044.



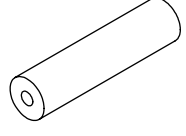
extended stand-off bracket
200 mm

79112.



bolt reduction assembly
M 10 → M 6 / SW 13
pack 10 pcs

753211



stand-off fixing tube
30 × 10 × 1000 mm

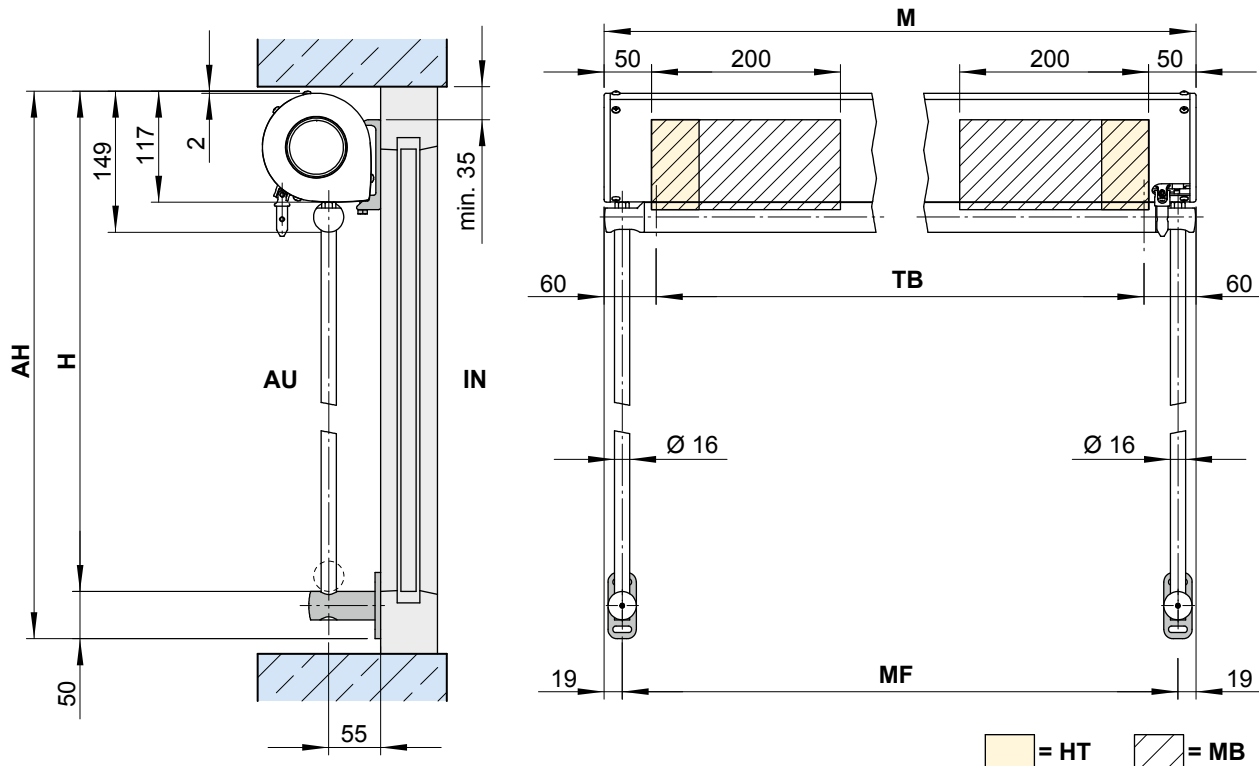
N.B!
max. stand-off distance
120 mm

701668

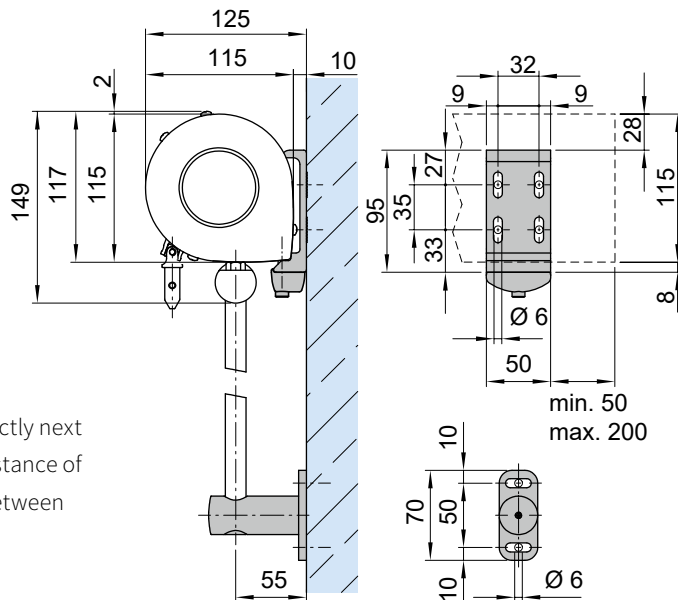
01
02
03
04
05
06
07
08
09
10
11
12
13
14
15
16
17
18
19
20

markilux 850

Dimension overview



Face fixture



N.B! If blinds are installed directly next to one another, a minimum distance of 22 mm must be maintained between the two blinds.

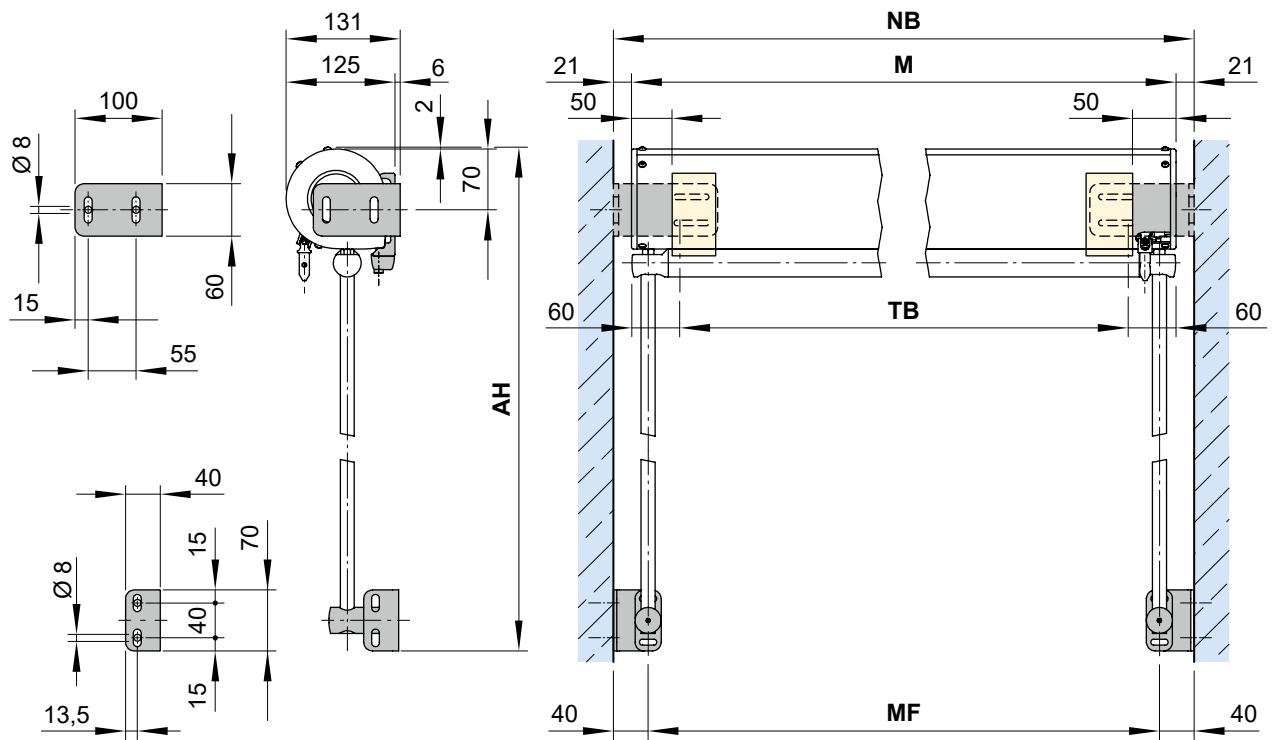
- AH** = *order dimension* = unit height
- AU** = exterior
- H** = drop
- HT** = bracket
- IN** = interior

- M** = *order dimension* = overall blind width
- MB** = bracket fixture range
- MF** = centre to centre of the stainless steel guide rods, fixture width
- TB** = cover width

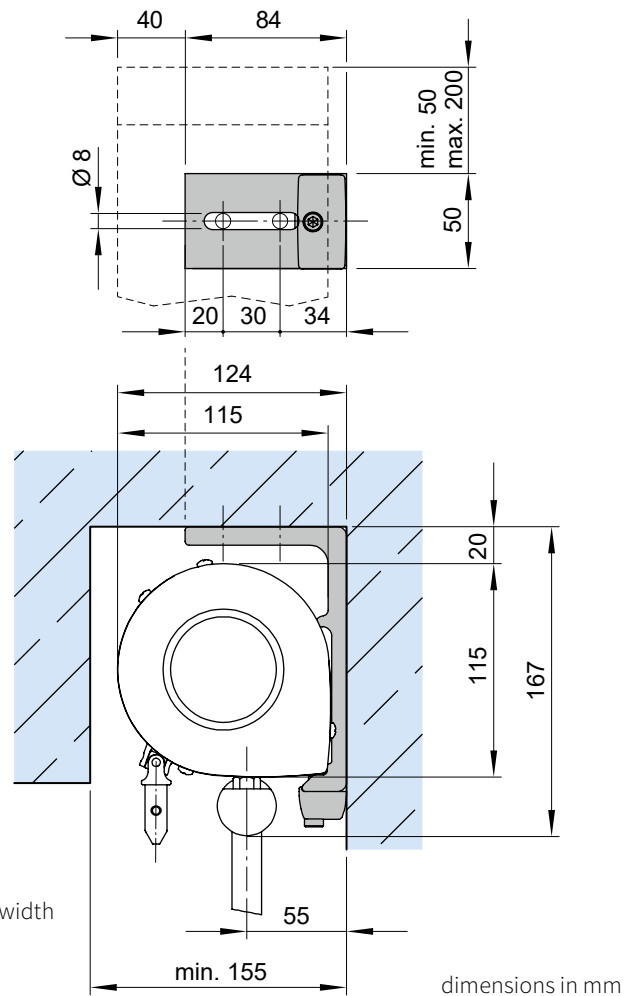
dimensions in mm

markilux 850

Reveal fixture, gearbox / motor operation



Reveal fixture in a top window well, gearbox operation

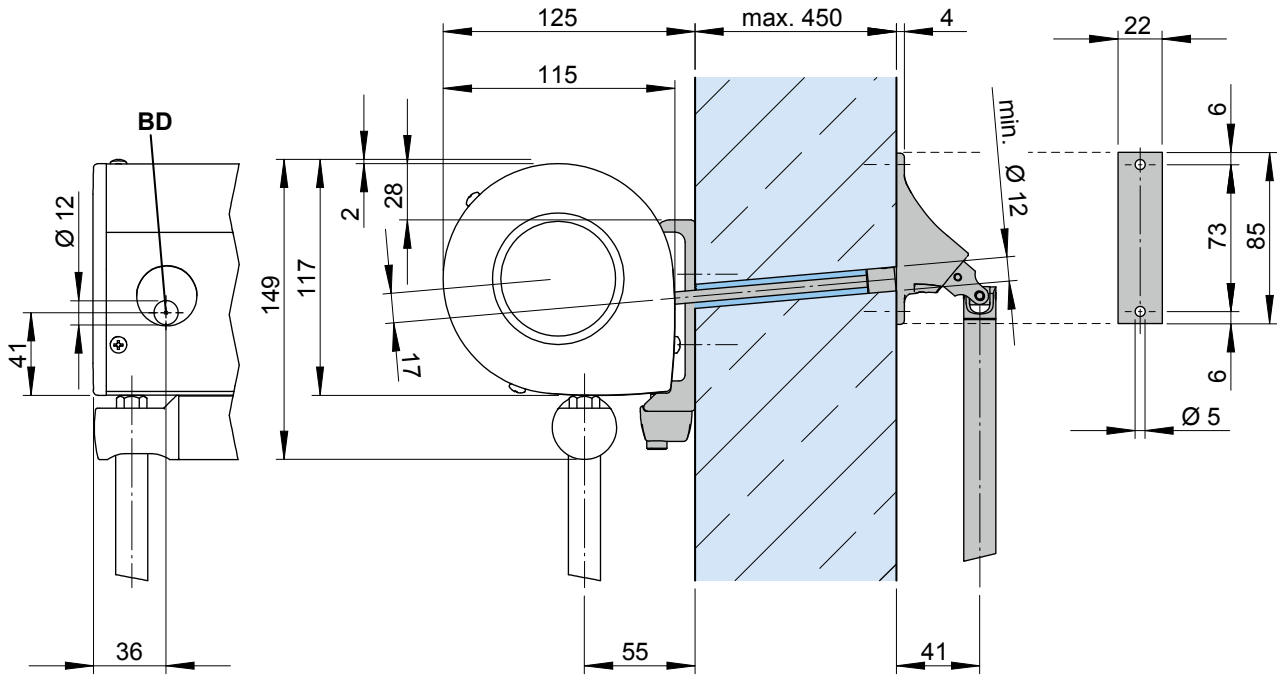


- AH = *order dimension* = unit height
- M = *order dimension* = overall blind width
- MF = centre to centre of the stainless steel guide rods, fixture width
- NB = reveal width
- TB = cover width

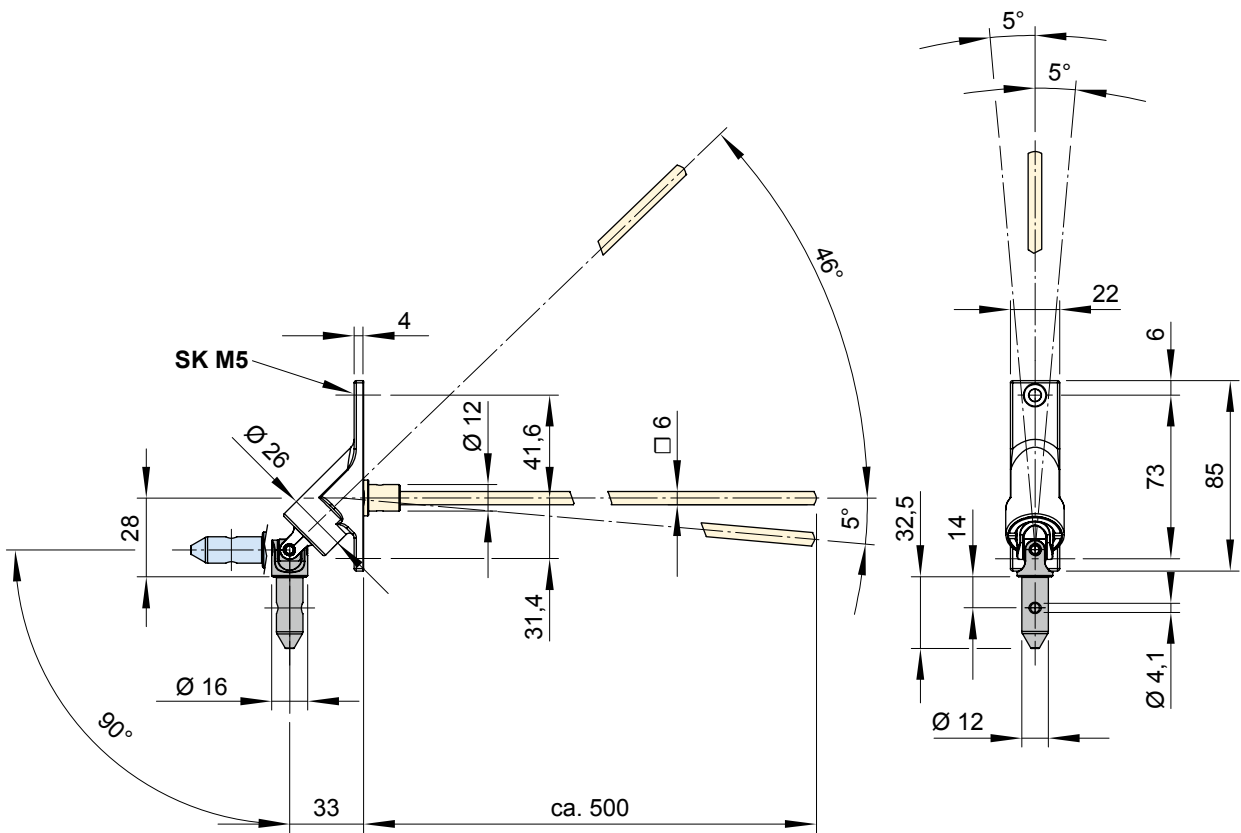
01
02
03
04
05
06
07
08
09
10
11
12
13
14
15
16
17
18
19
20

markilux 850

Face fixture, interior operation



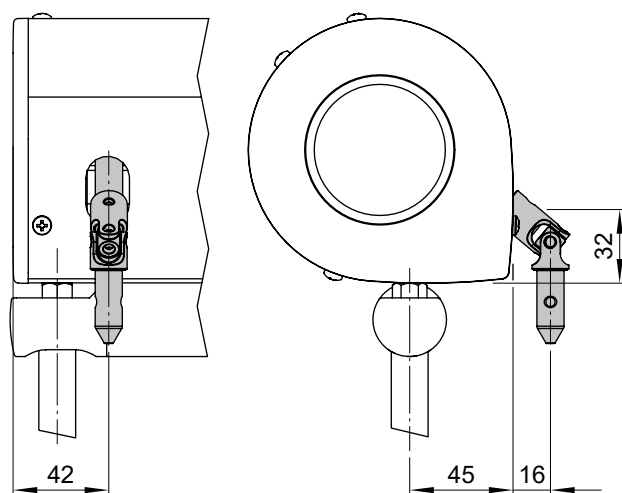
Handle for interior operation



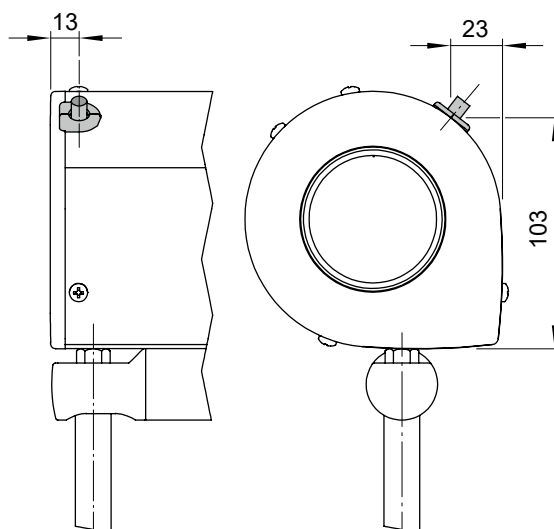
- BD = horizontal drill hole
- SK = countersunk screw hole M5

markilux 850

Manual operation from the rear



Motor cable exit point



dimensions in mm

- 01
- 02
- 03
- 04
- 05
- 06
- 07
- 08
- 09**
- 10
- 11
- 12
- 13
- 14
- 15
- 16
- 17
- 18
- 19
- 20

01

02

03

04

05

06

07

08

09

10

11

12

13

14

15

16

17

18

19

20